

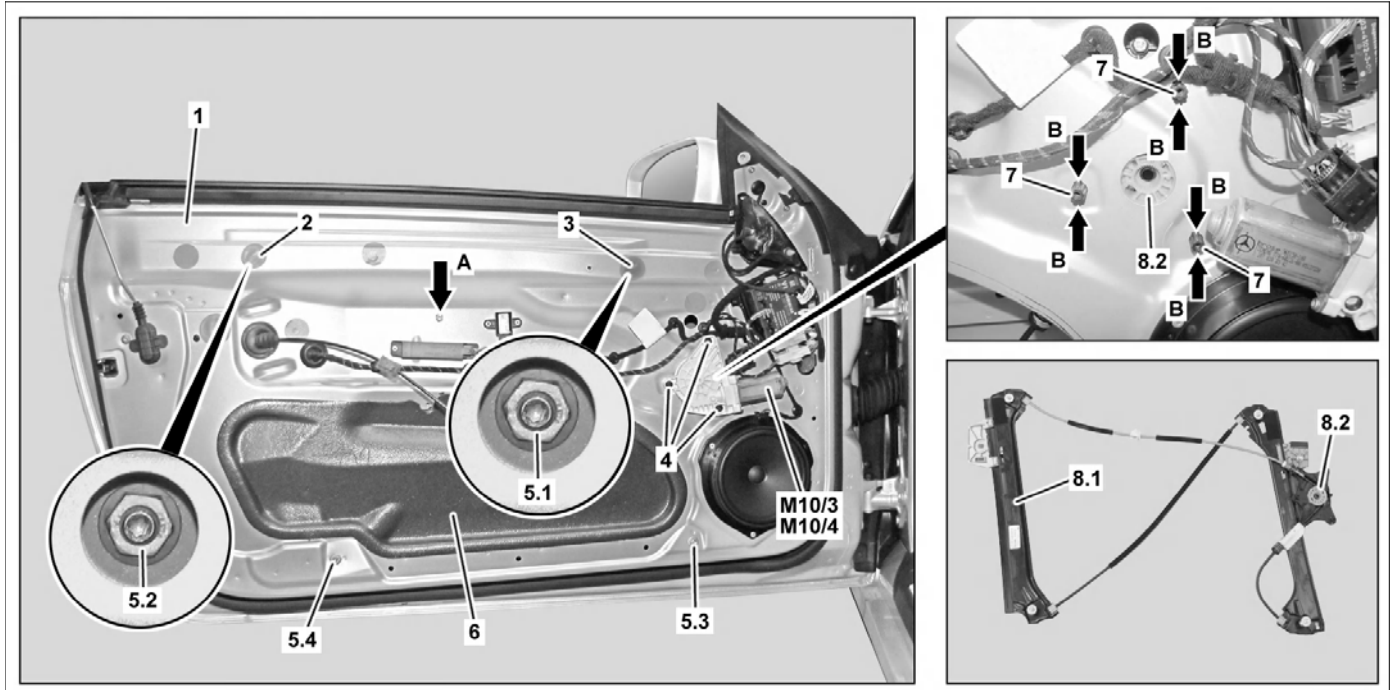
MODEL 207

## Modification notes

18.3.13

Install inner sealing rail added

Operation step 18



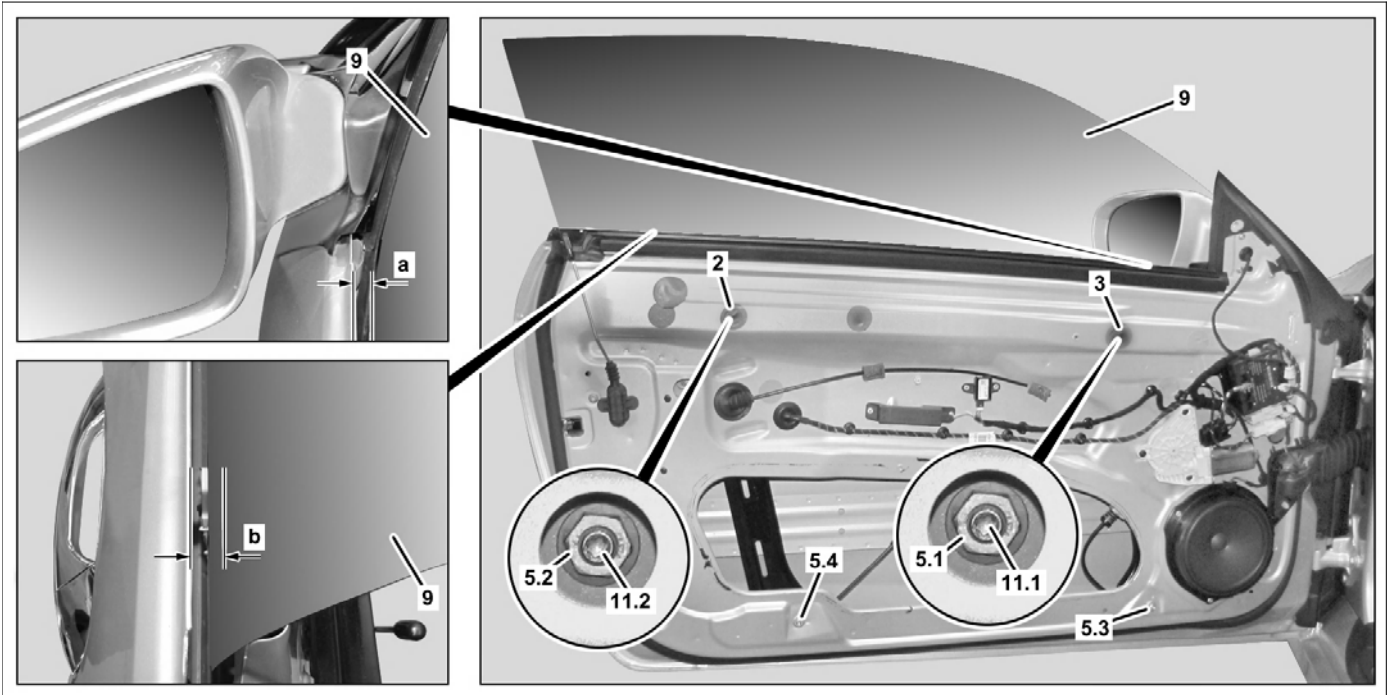
P72.10-3735-09

## Illustrated on model 207.3

1 Inner door panel  
 2 Adhesive pad  
 3 Adhesive pad  
 4 Bolts  
 5.1 Nut

5.2 Nut  
 5.3 Nut  
 5.4 Nut  
 6 Door foil  
 7 Guide pin

8.1 Power window  
 8.2 Power window drive  
 M10/3 Left front door power window motor  
 M10/4 Right front door power window motor



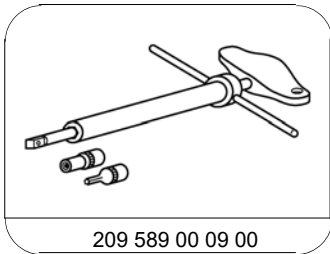
P72.10-3745-09

**Illustrated on model 207.3**

- |     |              |      |                  |      |                  |
|-----|--------------|------|------------------|------|------------------|
| 2   | Adhesive pad | 5.3  | Nut              | 11.2 | Adjustment screw |
| 3   | Adhesive pad | 5.4  | Nut              | a    | Clearance        |
| 5.1 | Nut          | 9    | Crank window     | b    | Clearance        |
| 5.2 | Nut          | 11.1 | Adjustment screw |      |                  |

	Remove		
1	Remove left and right crank window (9)	Remove/install crank window in front door	AR72.10-P-1900EC
2	Remove door foil (6)	Remove/install door foil on front door	AR72.10-P-1010EC
3	Remove screws/bolts (4)		
4	Remove left front door power window (M103) or right front door power window (M104) and lay down to side with electrical wiring harness connected		
5	Unclip Bowden cable retaining clip (arrow A) from inner door panel (1)		
6	Remove adhesive pad (2, 3)		
7	Unscrew nuts (5.1, 5.2, 5.3, 5.4)	Socket wrench	*209589000900
8	Unclip guide pin (7) from power window drive (8.2) on inner door panel (1) (arrows B)		
9	Remove power window (8.1) with power window drive (8.2) from inner door panel (1)		
	<b>Install</b>		
10	Insert power window (8.1) with power window drive (8.2) into inner door panel (1)		
11	Clip guide pin (7) from power window drive (8.2) into inner door panel (1)		
12	Tighten nuts (5.1, 5.2, 5.3, 5.4) to stop finger-tight	Socket wrench	*209589000900
13	Clip Bowden cable retaining clip (arrow A) into inner door panel (1)		
14	Insert left front door power window (M103) or right front door power window (M104) into guide pin (7) below power window drive (8.2)		
15	Screw in bolts (4)		
16	Insert crank window (9) into power window (8.1)	Carefully insert crank window (9) into front door. Otherwise the paint can be damaged.	

17	Screw crank window (9) to power window (8.1)	<b>i</b> Do not tighten bolt on front clamping jaw or bolt on rear mount on power window (8.1); it should still be possible to move the crank window (9) for basic adjustment.	
18	Install inner sealing rail		
19	Check interval "a", if necessary change by turning adjustment screw (11.1)	when replacing power window (8.1). <b>i</b> The interval "a" is 14 mm ± 0,5 mm. <b>S</b> Socket wrench	*209589000900
20	Check interval "b", if necessary change by turning adjustment screw (11.2)	when replacing power window (8.1). <b>i</b> The interval "b" is 14 mm ± 0,5 mm. <b>S</b> Socket wrench	*209589000900
21	Tighten nuts (5.1, 5.2, 5.3, 5.4)	<b>i</b> Observe tightening sequence according to bolt numbering of nuts (5.1, 5.2, 5.3, 5.4). <b>S</b> Socket wrench	*209589000900
22	Adjust crank window (9)	Adjust front door crank window	AR72.10-P-1950EC
23	Glue on new adhesive pad (2, 3)		
24	Install door foil (6)	Remove/install door foil on front door <b>i</b> Do not install door lining.	AR72.10-P-1010EC
25	Install crank window (9)	Remove/install crank window in front door <b>i</b> Perform only steps for completing front door, because the crank window (9) is already installed.	AR72.10-P-1900EC



209 589 00 09 00

Socket wrench