

MODEL 204.0 /2 /3 /9 (except 204.077 /277)

MODEL 207, 212, 218

Model 204.0/2/9, 212, 218, shown with front seat removed

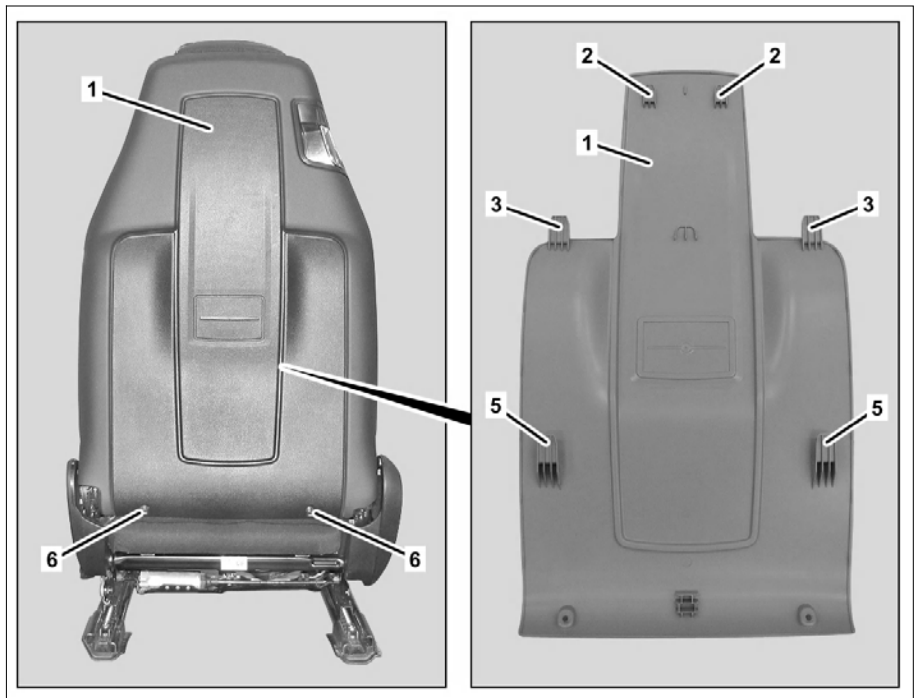
- 1 Seat-back lining
- 2 Tab
- 3 Tab
- 4 Guide



P91.10-3052-06

Model 207, 204.3 shown with front seat removed

- 1 Seat-back lining
- 2 Tab
- 3 Tab
- 5 Tab
- 6 Screw



P91.10-3477-06

☒ ☒	Remove/install		
1.1	Adjust left or right front seat forward and move backrest into upright position	Model 204.0/2/9, 212, 218	
1.2	Move left or right front seat downwards and forward, move armrest forward	Model 204.3, 207	
2	Remove bolts (6)	Model 204.3, 207	
3	Pull seat-back lining (1) at the bottom (arrows A) far enough out to enable a screwdriver to lift the catch hooks (arrows B)	Model 204.0/2/9, 212, 218	<p>⚠ When removing seat-back lining (1), ensure that catch hooks (arrows B) are not damaged.</p>

4	Release catch hooks (arrows B) and pull seat-back lining (1) at the bottom out of the backrest frame until the seat-back lining (1) can be removed downwards	Model 204.0/2/9, 212, 218	
5	Remove seat-back lining (1) downwards	i Installation: In model 204.0/2/9, 212, 218 ensure that tabs (2, 3) and guides (4) are seated correctly in backrest frame. In model 204.3, 207, ensure that tabs (2, 3, 5) are seated correctly in front seat backrest cover.	
6	Install in the reverse order		