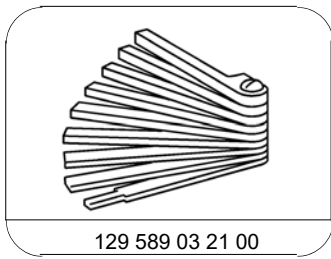
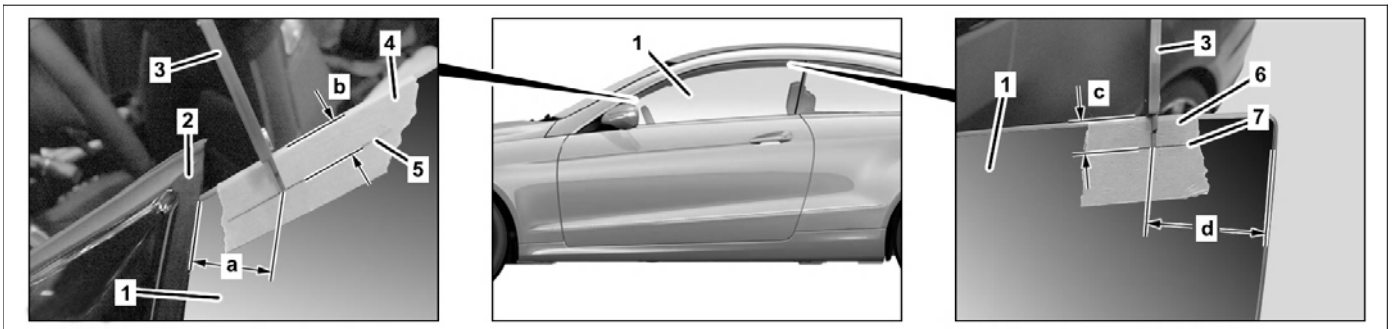


Model 207

129 589 03 21 00

Feeler gauge



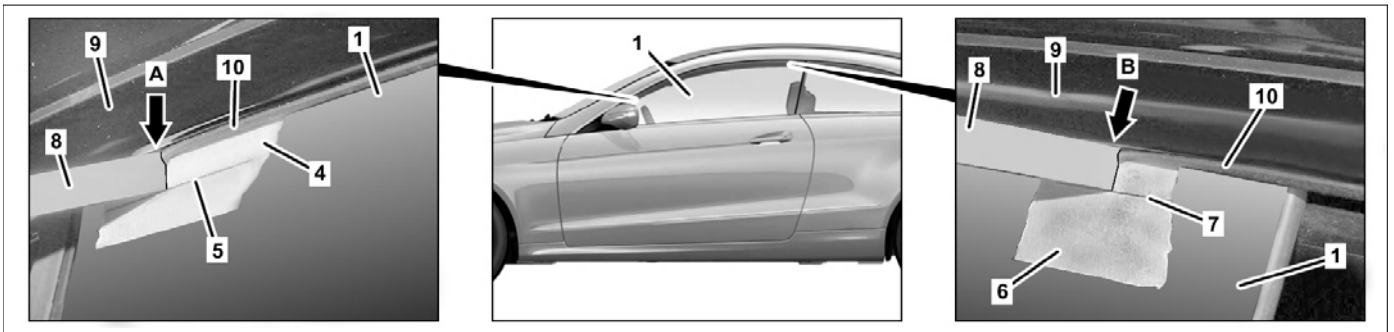
P72.10-3740-07

Illustrated on model 207.3

- 1 Open front door.
- 2 Position door lining on left or right front door and connect electrical connectors of driver side power window and outside mirror adjustment switch group to left front door control unit or electrical connector passenger side power window switch to right front door control unit.
- 3 Switch on ignition.
- 4 Close glass pane (1).
- 5 Switch off ignition.
- 6 Disconnect electrical connectors on driver side power window and outside mirror adjustment switch group from left front door control unit or electrical connector passenger side power window switch from right front door control unit and remove door lining.
- 7 Glue textile adhesive tape (4) to window (1) as shown.
- 8 Mark line (5) on textile adhesive tape (4) as shown.

i Measure dimension "a" from window guide seal (2) and dimension "b" from top edge of window (1) with vernier caliper (3).
Dimensions: a approx. 25 mm b 10 mm
- 9 Glue textile adhesive tape (6) to window (1) as shown.
- 10 Mark line (7) on textile adhesive tape (6) as shown.

i Measure dimension "d" from rear edge of window (1) and dimension "c" from top edge of window (1) with vernier caliper (3).
Dimensions: c 10 mm d approx. 40 mm
- 11 Close front door.



P72.10-3741-07

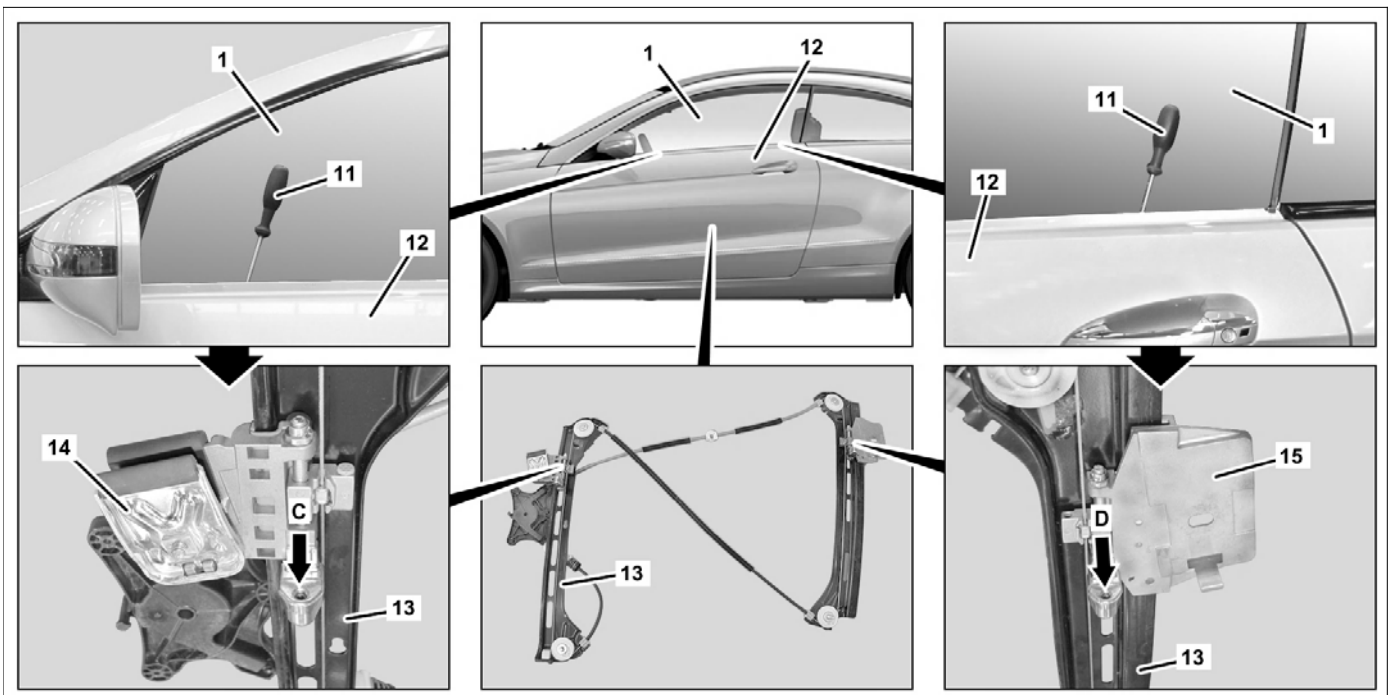
Illustrated on model 207.3

12 Measure at front of window (1).

i **☞** Position feeler gauge (8) with dimension of 8 mm at mounting rail (9) and install on sealing frame (10) as shown (arrow A).
The line (5) on the textile adhesive tape (4) should coincide with the edge of the feeler gauge (8).
If the measurement result deviates, adjust window (1).
Adjust procedure is described in step 14.

13 Perform measuring procedure at window (1).

i **☞** Position feeler gauge (8) with dimension of 8 mm at mounting rail (9) and install on sealing frame (10) as shown (arrow B).
The line (7) on the textile adhesive tape (6) should coincide with the edge of the feeler gauge (8).
If the measurement result deviates, adjust window (1).
Adjust procedure is described in step 15.



P72.10-3742-09

Illustrated on model 207.3

14 Insert screwdriver (11) between door paneling (12) and window (1) into adjustment screw (arrow C) on front mount (14) of power window (13) and adjust height of window (1) by turning adjustment screw (arrow C).

19 Move power window (13) up and down several times to check settling properties of window (1).

- i** Procedure:
- Turning the adjustment screw (arrow C) clockwise, lowers the window (1).
 - When the adjustment screw (arrow C) is turned counterclockwise, the window (1) is raised.
- 15 Insert screwdriver (11) between door paneling (12) and window (1) into adjustment screw (arrow C) on rear mount (15) of power window (13) and adjust height of window (1) by turning adjustment screw (arrow D).
- i** Procedure:
- Turning the adjustment screw (arrow D) clockwise, lowers the window (1).
 - When the adjustment screw (arrow D) is turned counterclockwise, the window (1) is raised.
- 16 Open front door.
- 17 Connect door lining to left or right front door.
- i** Connect electrical connectors on driver side power window and outside mirror adjustment switch group to left front door control unit or electrical connector passenger side power window switch to right front door control unit.
- 18 Switch on ignition.
- 20 Switch off ignition.
- 21 Disconnect electrical connectors on driver side power window and outside mirror adjustment switch group from left front door control unit or electrical connector passenger side power window switch from right front door control unit and remove door lining.
- 22 Close front door.
- 23 Measure again, if necessary repeat adjustment.
- 24 After measuring and adjusting, remove textile adhesive tape from window (1).