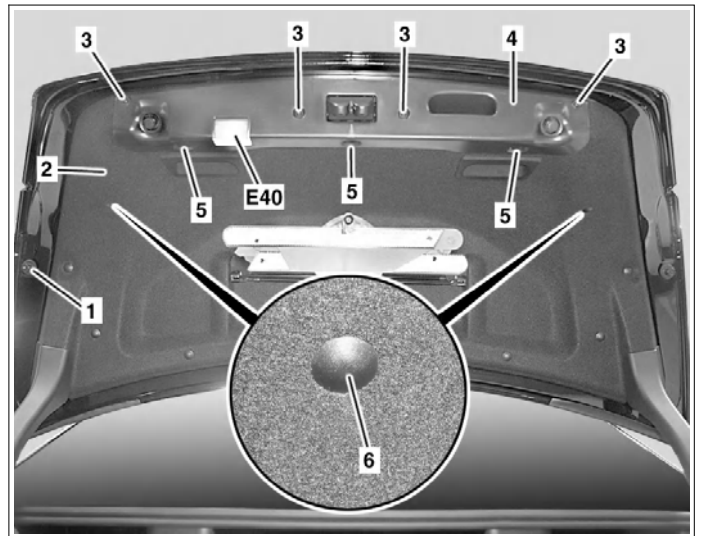


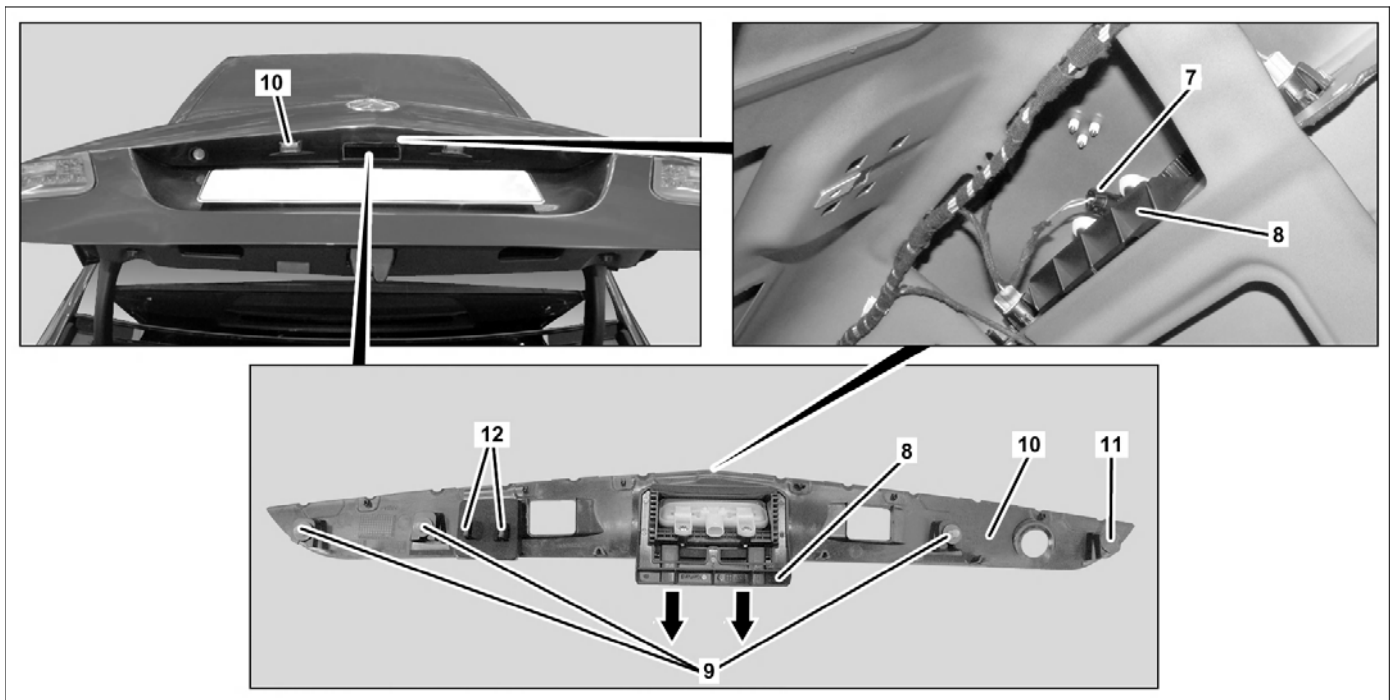
MODEL 207, 212.0/1

Illustrated on model 207.3

- 1 Trunk lid
- 2 Trunk lid paneling
- 3 Screw
- 4 Cover
- 5 Clip
- 6 Clips
- E40 Trunk lid ambient lamp



P88.50-2831-11



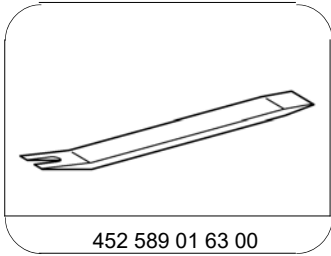
P88.50-2941-09

Shown on model 212.0 remove removed trunk lid paneling

- 7 Electrical connector
- 8 Bow
- 9 Clips
- 10 Trunk lid grab rail
- 11 Adhesive pad
- 12 Catch hook

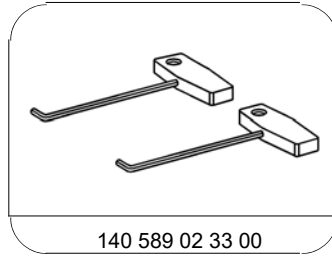
⊠ ⊠	Remove/install		
	Risk of injury caused by fingers being jammed or pinched when removing, installing or aligning hoods, doors, trunk lid/rear-end door or sliding roof.	No parts of the body or limbs should be within the operating area when the components are moving.	AS00.00-Z-0011-01A
i	Notes on sensor system for trunk lid opening/closing		AH80.61-P-0001-01A
1	Remove screws (3) at cover (4)	MODEL 207	
2	Unclip clips (5)	Clip remover	*452589016300

3	Loosen cover (4) until electrical connector on trunk lid ambient lamp (E40) is accessible		
4	Disconnect electrical connector from trunk lid ambient lamp (E40) and remove cover (4)		
5	Remove clips (6) from trunk lid panel (2)		
6	Guide trunk lid paneling (2) out of trunk lid (1) and pivot downward	i Hazard warning triangle remains in bracket.	
7	Disconnect electrical connector (7)		
8	Pull bow (8) toward rear (arrows) and remove		
9	Unclip catch hook (12)	MODEL 212.0/1	
10	Unclip clips (9)	i Installation: Check clips (9) for damage, replace if necessary.	
11	Pull trunk lid handle (10) out of extraction hook and remove	i Installation: Replace adhesive pad (11) on trunk lid handle strip (10). S Extraction hook	*140589023300
12	Install in the reverse order		



452 589 01 63 00

Clip remover



140 589 02 33 00

Extraction hook