

- MODEL 207, 212 with CODE (523) MB Audio 20 radio
- MODEL 207, 212 with CODE (510) Audio 20 with CD changer
- MODEL 207, 212 with CODE (525) MB Audio 50 APS radio
- MODEL 207, 212 with CODE (511) Audio 50 APS with DVD changer
- MODEL 207, 212 with CODE (527) COMAND APS with single DVD drive (with navigation)
- MODEL 207, 212 with CODE (512) COMAND APS with DVD changer

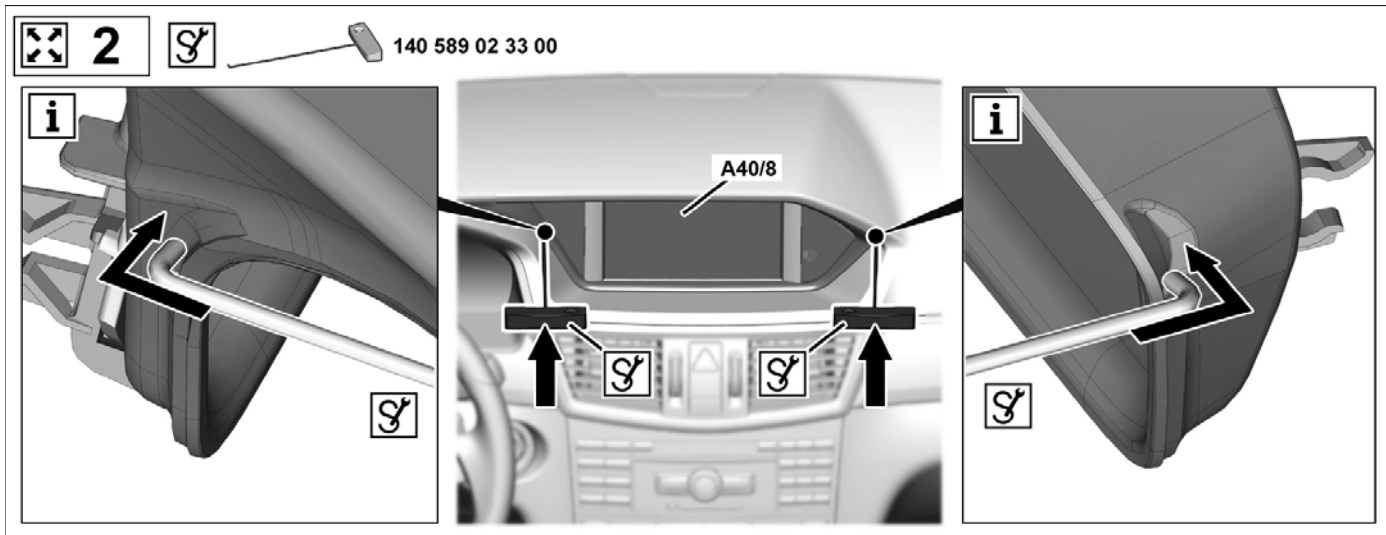
Modification notes

29.3.10	This document was replaced with a document with a greater number of pictures		
---------	--	--	--

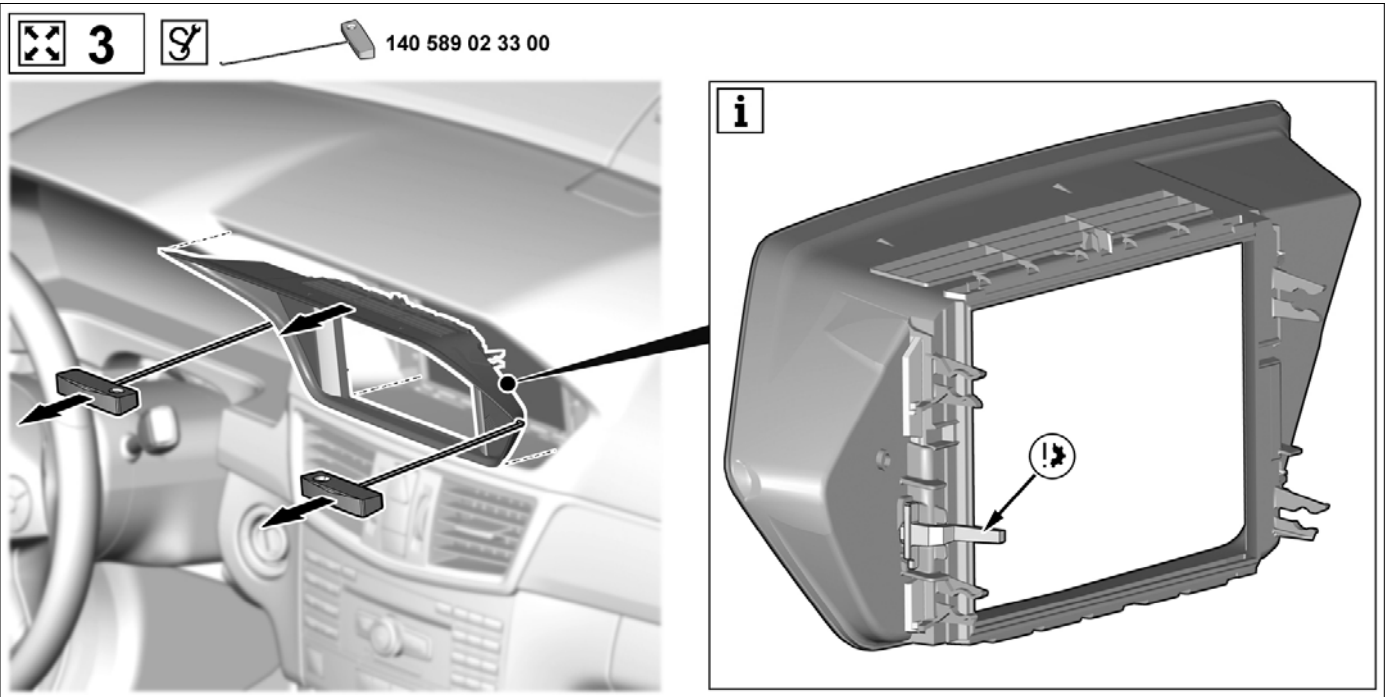
OV			OV00.01-P-1901-07A
⚠	Information on preventing damage to electronic components due to electrostatic discharge		AH54.00-P-0001-01A
1	Buffer basic data of the Audio/COMAND display (A40/8) in STAR DIAGNOSIS	When replacing the Audio/COMAND display (A40/8). i Installation: Transmit buffered basic data to the new Audio/COMAND display (A40/8).	
AD	Connect STAR DIAGNOSIS and read out fault memory		AD00.00-P-2000-04A



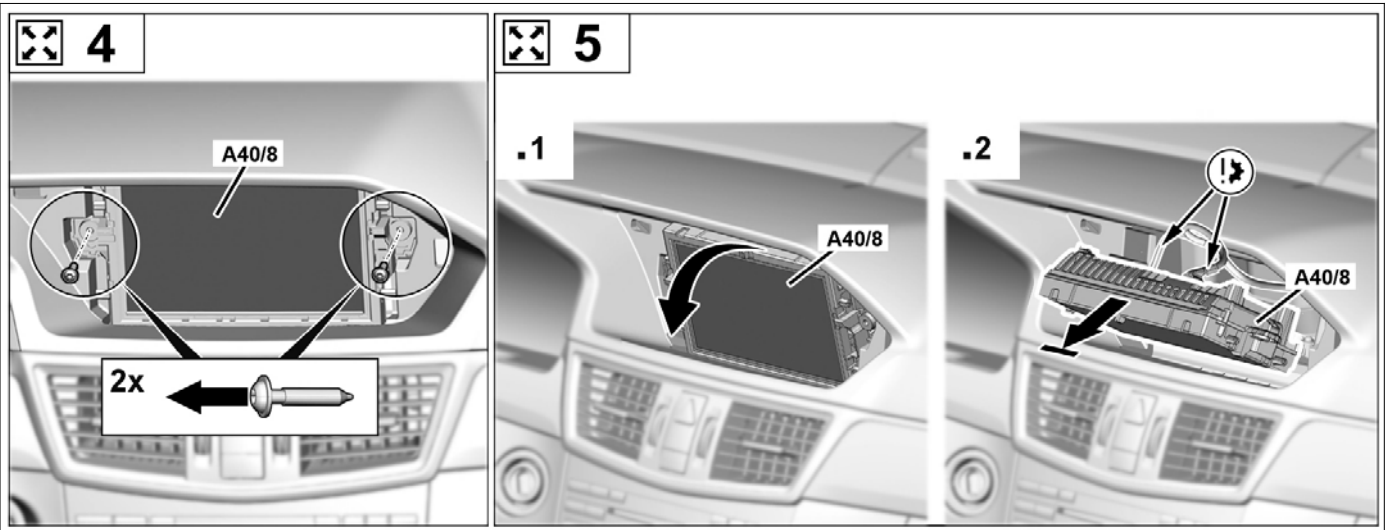
P82.60-8123-07



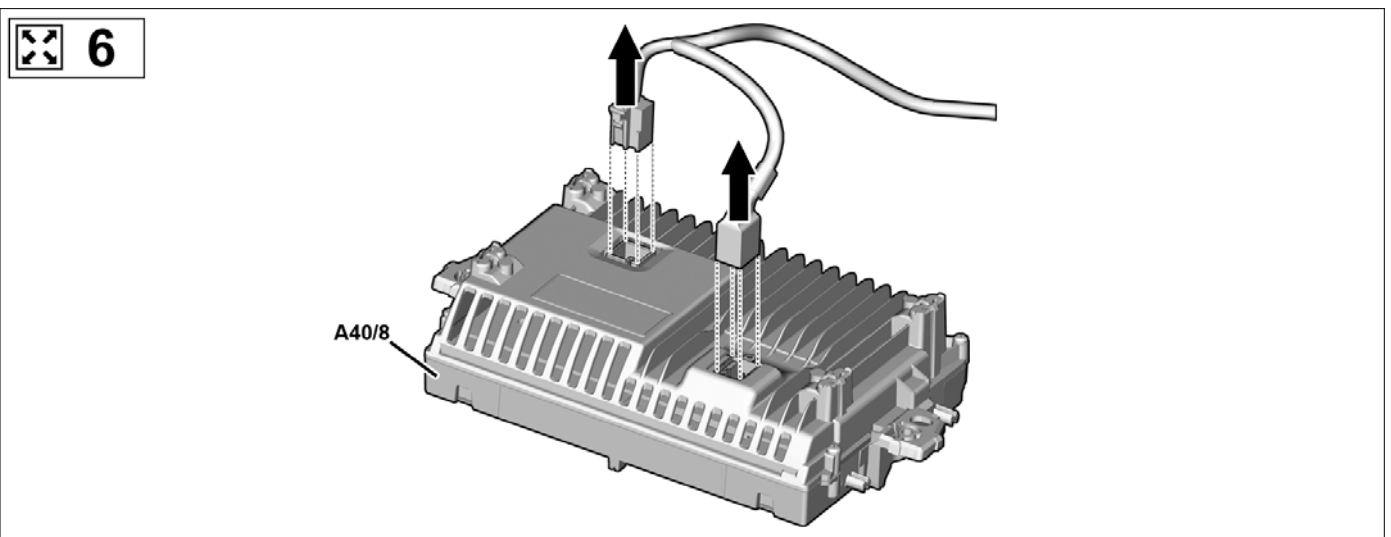
P82.60-8119-08



P82.60-8120-09



P82.60-8121-08



P82.60-8122-08

6 to 1		
---------------	--	--