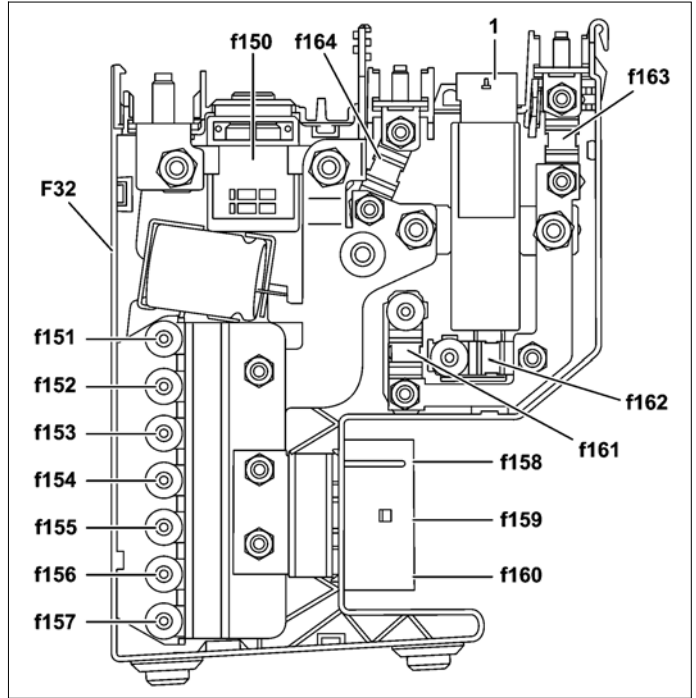


**MODEL 207.3/4**

Without code (B03) ECO start/stop function

F32 Front electrical prefuse box

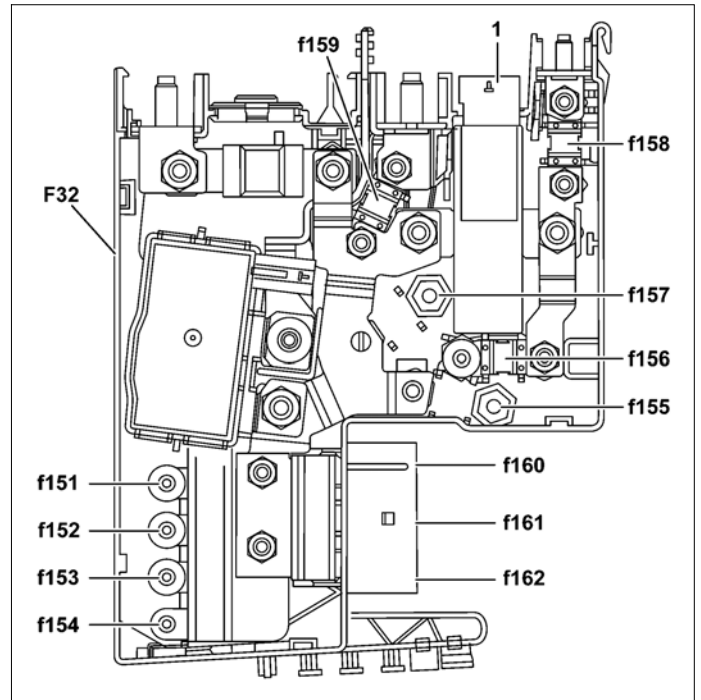


P54.15-3175-12

Fuse	Circuit	Line ID (line fused)	Fused function	Rating in amperes (A)
f150	30	35.0 BK	● Power supply for front prefuse box (F32)	400
f151	30	10.0 RD	● Internal combustion engine and air conditioning fan motor with integrated control (M4/7)	100
f152	30	16.0 RD	<b>Valid for front battery:</b> ● Front SAM control module with fuse and relay module (N10/1)	150
f153	30	–	● Reserve	–
f154	30z	6.0 RD	● Front SAM control module with fuse and relay module (N10/1)	60
f155	30	–	● Reserve	–
f156	30	16.0 RD	<b>Valid for diesel engine:</b> ● PTC heater booster (R22/3)	150
f157	30	12.0 RD	● Electrical power steering control unit (N68)	100
f158	30	4.0 RD	● Blower regulator (A32n1)	50
f159	30	–	● Reserve	–
f160	30	6.0 RD	<b>Valid for code (275) Memory package (driver seat, steering column, mirrors) or code (242) Electrically adjustable front passenger seat with memory:</b> ● Interior compartment fuse box (F34)	60
f161	30g	16.0 RDWH	● Front SAM control module with fuse and relay module (N10/1)	100
f162	30	–	● Reserve	–
f163	30g	16.0 RD	● Rear SAM control unit with fuse and relay module (N10/2)	150
f164	30	10.0 RD	● Rear SAM control unit with fuse and relay module (N10/2)	100
		10.0 RD	<b>Valid for code (401) front deluxe seats, incl. seat heating and seat ventilation:</b> ● Interior compartment fuse box (F34)	

With code (B03) ECO Start-stop function

F32 Front electrical prefuse box



P54.15-3325-12

Fuse	Circuit	Line ID (line fused)	Fused function	Rating in amperes (A)
f150	30	35.0 BK	● Power supply for front prefuse box (F32)	200
f151	30	10.0 RD	● Internal combustion engine and air conditioning fan motor with integrated control (M4/7)	100
f152	30	16.0 RD	<b>Valid for front battery:</b> ● Front SAM control module with fuse and relay module (N10/1)	150
f153	30	6.0 RD	● Front SAM control module with fuse and relay module (N10/1)	60
f154	30z	16.0 RD	<b>Valid for diesel engine:</b> ● PTC heater booster (R22/3)	150
f155	30	–	● Reserve	–
f156	30g	16.0 RDWH	● Front SAM control module with fuse and relay module (N10/1)	100
f157	30	12.0 RD	● Electrical power steering control unit (N68)	100
f158	30g	16.0 RD	● Rear SAM control unit with fuse and relay module (N10/2)	150
f159	30	25.0 RD	● Additional battery relay (K57/2) ● Rear SAM control unit with fuse and relay module circuit 30 fuse (F97)	200
f160	30	4.0 RD	● Blower regulator (A32n1)	50
f161	30g	–	● Reserve	–
f162	30	6.0 RD	<b>Valid for code (275) Memory package (driver seat, steering column, mirrors) or code (242) Electrically adjustable front passenger seat with memory:</b> ● Interior compartment fuse box (F34)	60