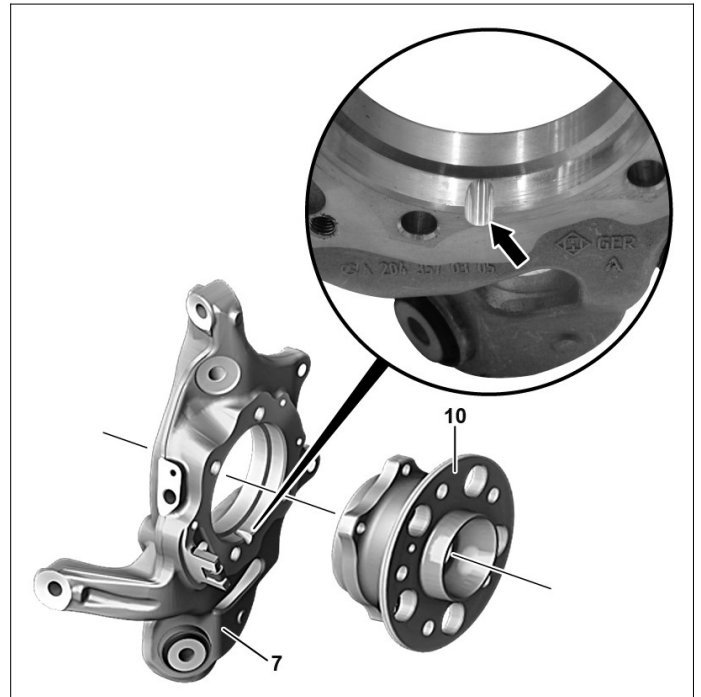


**Model** 172, 204, 205, 207, 211, 212, 213, 216, 217, 218, 219, 221, 222, 230, 231, 253, 293

⚠ Due to dirt deposits in the groove (arrow), water that has penetrated between the steering knuckle and wheel bearing cannot flow away.

As a result damage to the wheel bearing can occur.

- 1 Clean groove (arrow) in steering knuckle (7) after removing wheel bearing with rear axle shaft flange (10).



P35.20-2248-12