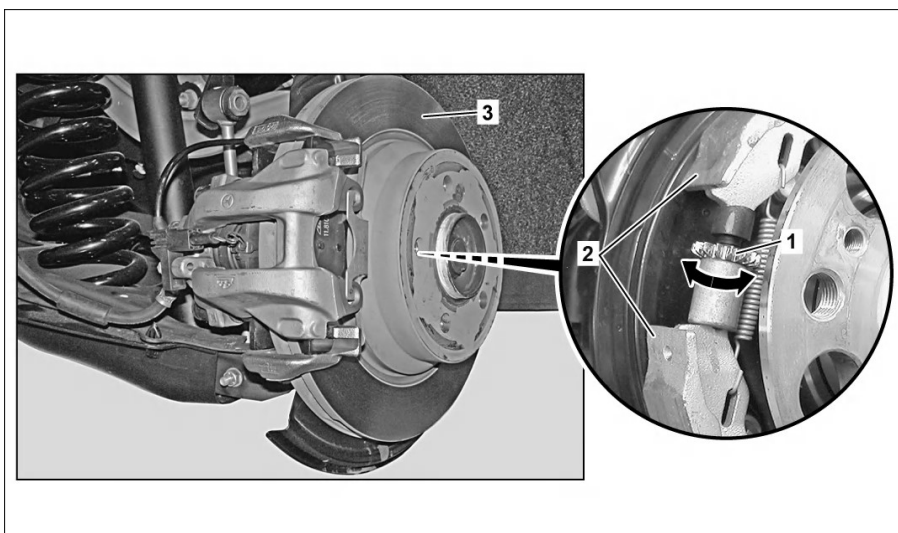


MODEL 207, 212, 218

- 1 Thumbwheel
- 2 Parking brake brake shoe
- 3 Brake disk



P42.20-2513-05

Modification notes

20.7.10	"Perform brake test on test bench" reference changed	Test sequence augmented/revised	
---------	--	---------------------------------	--

	Removing		
	Danger!	Risk of injury to skin and eyes caused by handling hot or glowing objects.	Wear safety gloves, protective clothing and safety glasses, if necessary.
	Notes on repairs to brake system		AS00.00-Z-0002-01A AH42.00-P-0003-01A
1	Release parking brake		
2	Remove rear wheels	Model 207 Model 212, 218	AP40.10-P-4050CW AP40.10-P-4050EW
	Adjust		
3	Using a screwdriver turn the right and left adjustment wheel (1) until the brake shoes (2) abut the drums	Turning direction to apply the brake shoes (2): Turn the right adjustment wheel (1) against the direction of travel. Turn the left-hand adjusting wheel (1) in the direction of travel.	
	Checking		
4	Check brake disks (3) for locking up:	It must not be possible to turn the brake disks (3) by hand.	
5	Release the left-hand and right-hand adjusting wheel (1)	Release the left-hand and right-hand adjusting wheel (1) by the same number of teeth.	*BE42.20-P-1001-01I
6	Check brake disks (3) for unobstructed movement:	It must be possible to turn the brake disks (3) completely freely by hand.	
7	Operate parking brake		
8	Check brake disks (3) for locking up:	It must not be possible to turn the brake disks (3) by hand.	
9	Release parking brake		
10	Check brake disks (3) for unobstructed movement:	It must be possible to turn the brake disks (3) completely freely by hand.	
	Install		
11	Fit rear wheels	Model 207 Model 212, 218	AP40.10-P-4050CW AP40.10-P-4050EW
12	Lower vehicle		
13	Carry out brake test on the test stand		AP42.00-P-4290BA

Adjustment values for parking brake

Number	Designation	Model 207	Model 212	Model 218

BE42.20-P-1001-011	Number of teeth by which adjusting wheel of adjusting mechanism must be loosened after the parking brake shoes make contact.	Number of teeth	8	10	10
--------------------	--	-----------------	---	----	----