

E-Class Sedan



W213

Model Year 2019

Preliminary – Subject to Change

Mercedes-Benz

The best or nothing.





Important note

The information presented in this guide is based on the most current information available and is intended for internal use only. Mercedes-Benz reserves the right to make changes at any time, without notice, to colors, materials, equipment, special specifications and models.

Pricing may not yet be finalized for some models or options.

Due to variances among monitors and printers the colors that appear on your screen and printouts may not be exact.

For illustrative purposes, some images may show vehicles with European Specification.

Revision History

<i>Date</i>	<i>Changes</i>
02/26/18	First Draft MY19 DOG
03/03/18	Renaming of Luxury Line (167) to Luxury Styling
	Updated option pricing for Acoustic Comfort Package (PAF)
04/06/18	Delayed availability due to global constraint of Head-Up Display (463)
04/24/18	Updated availability of LED logo projectors (15A)
04/27/18	E300/ 4M included Updated special order option – Sun Protection Package (313)
05/01/18	AMG E 53 Sedan added to DOG
05/04/18	Omission of Galvanized Shift Paddles (431) from Luxury Styling (167)
05/08/18	Updated pricing for AMG trims H09 and 736
05/15/18	Updated option package for <i>designo</i> Black/ Titanium Grey Pearl (P62) and <i>designo</i> Macchiato Beige/ Titian Red (P87): added chrome door pins
05/23/18	Pricing announcement of E 450 4M, E 53 & E63 S
	Updated option pricing (E 53 & E 63 S only): - Sun Protection Pkg (313) - AMG Nappa/ Black Piano Lacquer Performance Steering Wheel (L6L)
	Updated Night Package (521) description
06/07/18	Delayed availability for LED Logo Projectors (15A) for E300/4M & E450 4M & AMG LED Crest Projectors (25A) for E 53 & E 63 S
07/03/18	Updated acceleration 0-60 mph (sec) – 5.0 seconds



E 300 / E 300 4MATIC & E 450 4MATIC



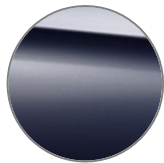
Models



What's new



Standard Equipment



Exterior Paint Colors



Wheels



Interior Upholstery



Interior Trims



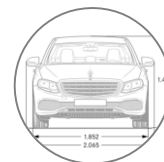
Option Packages



Stand-Alone Options



Options in Detail



Specifications



E 300 (213.048)

- MSRP \$tbd
- 2.0L inline-4 turbo engine
- Horsepower 241 hp
- Torque 273 lb-ft
- 6.2 sec. est. (0-60 mph)
- Launch date: Q3 2018



E 300 4MATIC (213.049)

- MSRP \$tbd
- 2.0L inline-4 turbo engine
- Horsepower 241 hp
- Torque 273 lb-ft
- 6.3 sec est. (0-60 mph)
- Launch date: Q3 2018



E 450 4MATIC (213.068)

- MSRP \$59,950
- 3.0L V6 biturbo engine
- Horsepower 362 hp
- Torque 369 lb-ft
- 5.0 sec est. (0-60 mph)
- Launch date: Q3 2018





Interior

- Adaptive Highbeam Assist as stand-alone option discontinued
- Brown Ash wood trim w/ matching center console & Burl Walnut wood trim w/ matching center console
- *designo* Magnolia Flowing Lines wood trim discontinued
- New generation steering wheels with touch buttons
- Re-introduction of Rear Safety Package as stand-alone option
- Rear seat side air bags available as SPC option

Standard Equipment

- 2.0L inline-4 turbo engine, 241 hp, 273 lb-ft (E300/4M only)
- Split folding rear seats (40/20/40) (all Models)
- New 3.0L V6 Biturbo engine, 362 hp, 369 lb-ft (E450 4M only)

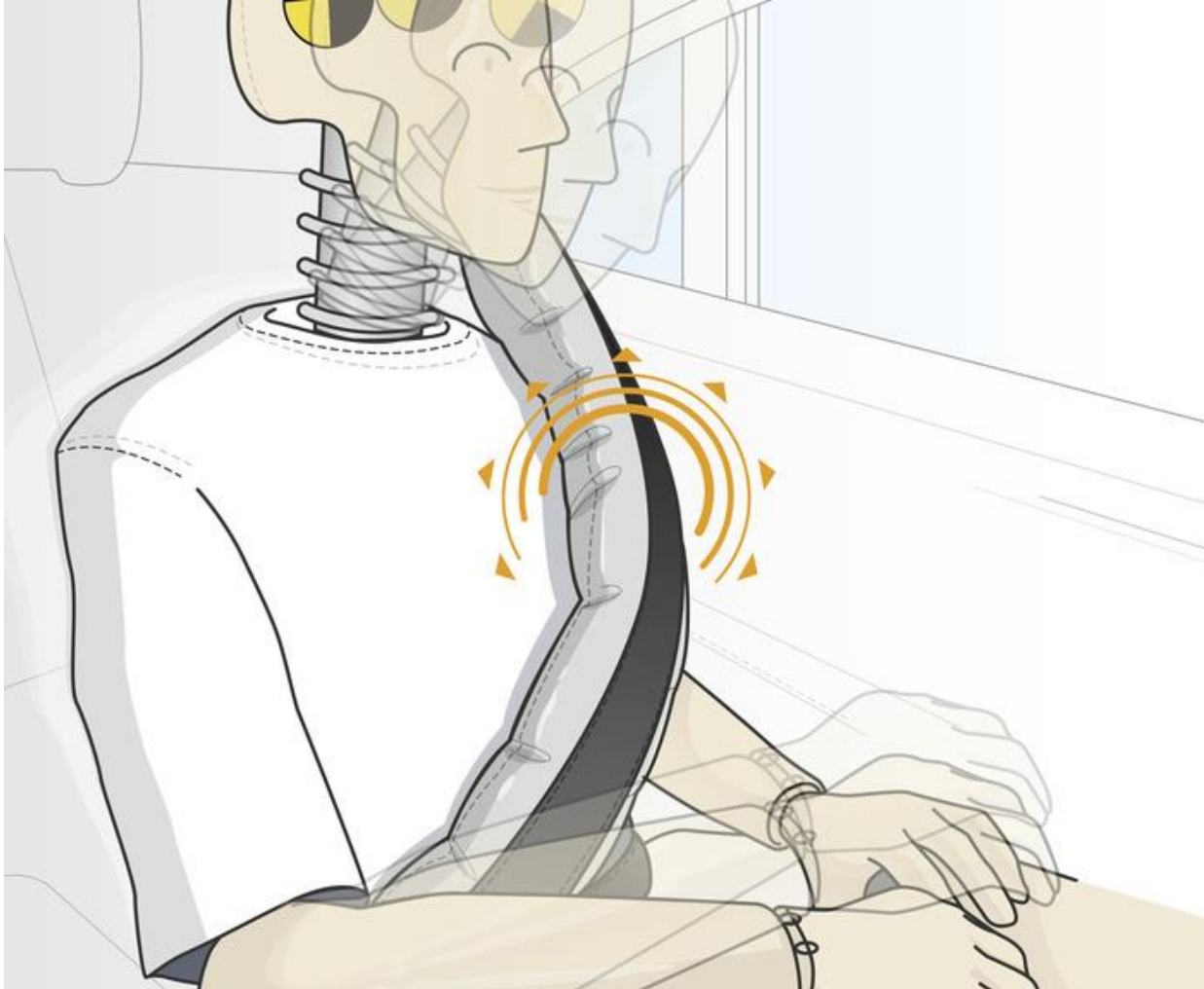
Optional Equipment

- 12.3" Digital Instrument Cluster available as stand-alone option 
- AIR BALANCE Cabin Air Fragrance & Filtration System as stand-alone option
- Enhanced Safety Systems included within Driver Assistance Package
 - Route-Based Speed Adaptation
- Head-Up Display available as stand-alone option 
- New Packaging strategy
- Night Package w/ new 19" AMG wheels
- Power Rear-Window Sunshade available as stand-alone option
- Dakota Brown, Diamond Silver and Piedmont Green metallic paints discontinued





Rear Safety Package (P36)



Rear Safety Package (P36)

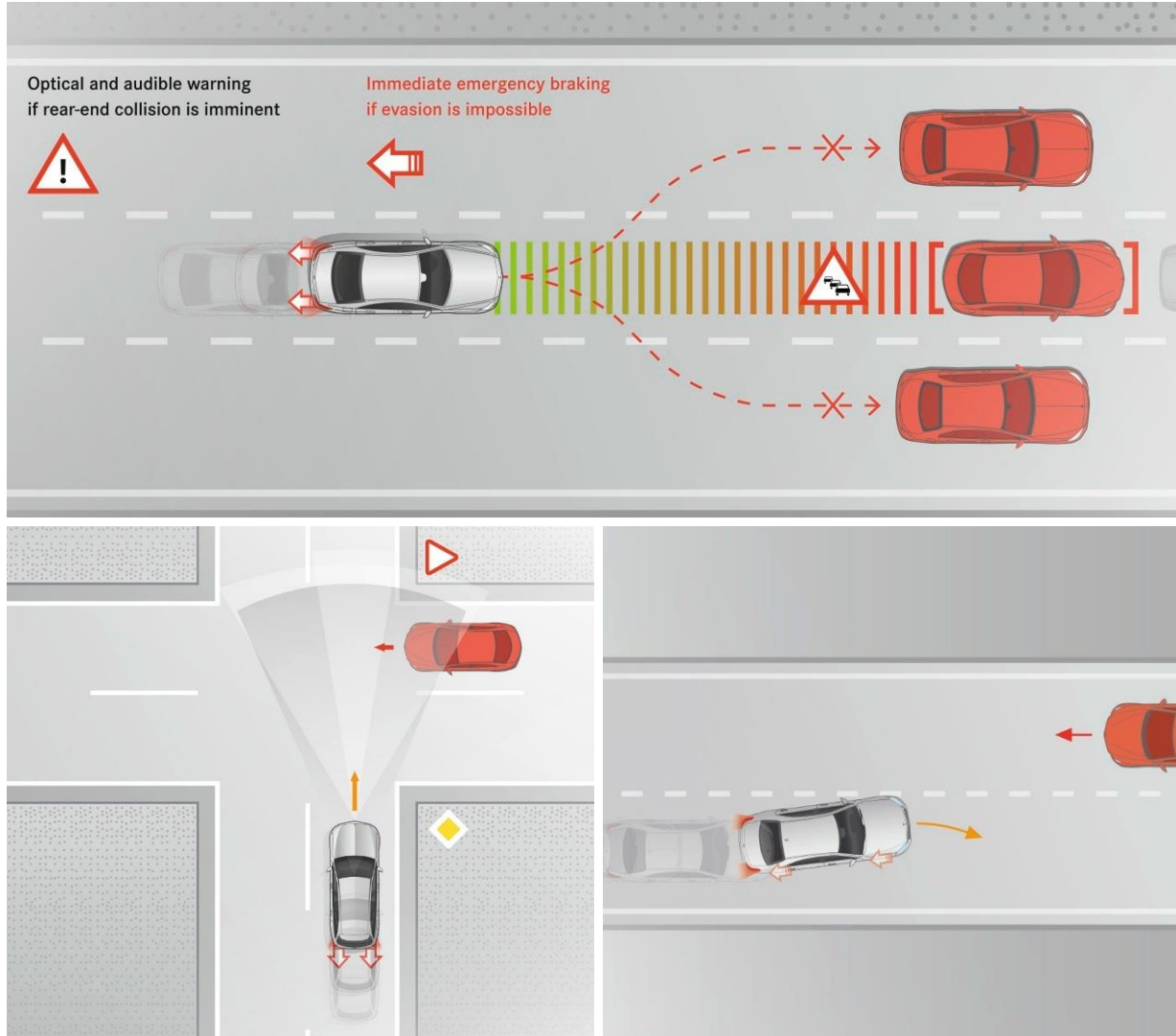
Option price: \$650

The Rear Safety Package consists of sidebags and belt air bags in the rear.

- The rear seat side air bags can protect the upper torso area of the passengers in the outer rear seats.
- The belt air bags for the seatbelts on the outer rear seats are able to reduce the load on the thorax in a frontal impact, as the inflatable seatbelt strap causes the force exerted on the occupants to be distributed over a large area.



Driver Assistance Package



Driver Assistance Package (997)

Option price: \$2,250

- **Active Distance Assist DISTRONIC®** is able to follow a vehicle in front at a pre-selected distance at wider range of speeds
- **Active Steering Assist** functions at a wider range of speeds and can now actively intervene even if road lines are unclear or non-existent at certain speeds; can now function in curves with a tighter radius
- **Active Emergency Stop Assist** brakes the vehicle to a standstill in its lane if it detects that the driver is no longer actively driving the vehicle while it is on the move with Active Distance Assist DISTRONIC and Active Steering Assist engaged. Can now unlock the doors when the vehicle is stationary to allow first aid responders immediate access to the vehicle's interior.
- **Active Lane Change Assist** is a radar-and-camera-based system that aids the driver when changing lanes. When a turn is indicated, this feature will aid with steering into the adjacent lane if it detects the lane is empty
- **Active Speed Limit Assist** can adapt vehicle speed to identified speed limits and can now adjust preemptively when speed limits are going to change
- **Route-Based Speed Adaptation** the vehicle is now able to reduce the speed in anticipatory mode by referencing the COMAND map data ahead of bends, junctions, roundabouts, toll booths and exit roads.
- **Active Brake Assist with Cross-Traffic Function**
- **Evasive Steering Assist** this system assists by adding calculated steering torque to aid in steering wheel movement when a driver deliberately or instinctively performs an evasive maneuver around a pedestrian
- **Active Blind Spot Assist** is active at a wider range of speeds and informs the driver to help avoid an imminent side impact by single-sided braking
- **Active Lane Keeping Assist** is active now at a wider range of speeds
- **PRE-SAFE® Impulse Side** see next slide



Steering Wheel



E-Class Coupe shown

3-spoke Nappa Leather Multifunction Steering Wheel (L3B)

The newly redesigned 3-spoke multifunction steering wheel in nappa leather combines a sporty design, compact dimensions and fine materials.

- Steering wheel shift paddles integrated into the back of the steering wheel cross spokes enable manual gear shifting and support a sporty driving style.
- Steering wheel shift paddles in the steering wheel color.
- Optional Active Distance Assist DISTRONIC® or standard cruise control is controlled via steering wheel-mounted controls.
- Touch Control buttons for direct control of the instrument cluster (analogue or digital) and to control the functions of the multimedia system.



Performance & Handling

- 9G-TRONIC 9-Speed Automatic Transmission
- 2.0L Inline-4 turbo engine (241 hp, 273 lb-ft) (E300/4M)
- New 3.0L V6 Biturbo engine, 362 hp, 369 lb-ft (E450 4M)
- 18" MB wheels (w/Sport Styling)
- AMG Body Styling
- DYNAMIC SELECT driving programs
- Lowered suspension with selective damping
- Perforated front brake discs & front brake calipers w/ "Mercedes-Benz" lettering (E450 4M)

Comfort & Convenience

- 12.3" COMAND® display
- 64-Color Ambient Lighting
- Auto-Dimming Driver-Side and Rearview Mirrors
- Bluetooth® Connectivity
- Double Sun Visors
- Dual Zone Automatic Climate Control
- COMAND® Navigation System
- HomeLink® Garage door opener
- KEYLESS-START
- Memory Package (Driver & Passenger Seat)
- Mercedes me connect
- Power folding mirrors
- Power front seats with 3-position memory and 4-way lumbar support
- Power Tilt/Sliding Sunroof
- Rearview camera
- Smartphone integration with Apple CarPlay™ & Android Auto
- Split folding rear seats (40/20/40)
- Steering wheel with Touch Control Buttons
- Storage Package
- Touchpad w/ COMAND controller

Safety & Security

- Active Brake Assist
- ATTENTION ASSIST®
- Car-to-X Communication
- Crosswind Assist
- LED Headlamps and Taillamps
- PRE-SAFE®
- PRE-SAFE Sound
- Tire pressure monitoring system

Exterior Paint Colors



Non-metallic Paints

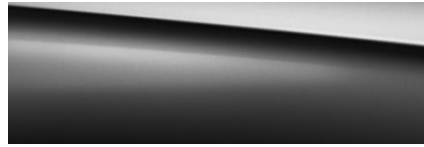


040
Black
Option price: \$0



149
Polar White
Option price: \$0

Metallic Paints



197
Obsidian Black
Option price: \$720



775
Iridium Silver
Option price: \$720



992
Selenite Grey
Option price: \$720



890
Lunar Blue
Option price: \$720

designo[®] Paints



996
Cardinal Red
Option price: \$1,080



799
Diamond White
Option price: \$1,515



297
Selenite Grey Magno
Option price: \$3,950



R31

18" 5-Spoke Wheels
R02, R66

Option price: \$0
Requires Sport Styling (321)
Standard on E 300 & E 300 4M



66R

18" Twin 5-Spoke Wheels
R02, R66

Option price: \$0
Requires Sport Styling (321)
Standard on E 450 4MATIC



RQR

18" AMG 5-Spoke Wheels
R02, R66

Option price: \$0
Requires AMG Line Exterior (322)



RTK

19" AMG Twin 5-Spoke Wheels
R02, R66

Option price: \$500
Requires AMG Line Exterior (322)



RQQ

18" AMG 5-Spoke Wheels
w/ Black Accents
R02, R66

Option price: \$0
Requires Night Package (521)



R07

17" Twin 5-Spoke Wheels
R02, R66

Option price: \$0
Requires Luxury Styling (167)
only available for E 300 & E 300 4M



R54

18" Twin 5-Spoke Wheels
R02, R66

Option price: \$500
Requires Luxury Styling (167)



R26

19" 10-spoke Wheels
R02, R66

Option price: \$1000
Requires Luxury Styling (167)



RTJ

19" AMG Twin 5-Spoke Wheels
w/ Black Accents
R02, R66

Option price: \$500
Requires Night Package (521)



<i>Code</i>	<i>Wheel Size</i>	<i>Description</i>	<i>Wheel Dimensions</i>	<i>Mobility</i>	<i>MSRP</i>
R07	17"	Twin 5-Spoke Wheels	225/55 R17 on 7.5 J x 17 ET 40	R02, R66	\$ 500 <i>Requires Luxury Styling (167)</i>
R54	18"	Twin 5-Spoke Wheels	245/45 R18 on 8.0 J x 18 ET 43	R02, R66	\$ 500 <i>Requires Luxury Styling (167)</i>
R31	18"	5-Spoke Wheels	245/45 R18 on 8.0 J x 18 ET 43	R02, R66	\$ 0 <i>Requires Sport Styling (321)</i>
RQR	18"	AMG 5-Spoke Wheels	245/45 R18 on 8.0 J x 18 ET 43	R02, R66	\$ 0 <i>Requires AMG Line Exterior (322)</i>
RQQ	18"	AMG 5-Spoke Wheels w/ Black Accents	245/45 R18 on 8.0 J x 18 ET 43	R02, R66	\$ 0 <i>Requires Night Package (521)</i>
RTK	19"	AMG Twin 5-Spoke Wheels	245/40 R19 on 8.0 J x 19 ET 43	R02, R66	\$ 500 <i>Requires AMG Line Exterior (322)</i>
R26	19"	10-Spoke Wheels	245/40 R 19 on 8 J x 19 ET 43	R02, R66	\$ 1,000 <i>Requires Luxury Styling (167)</i>
RTJ	19"	AMG Twin 5-Spoke Wheels w/ Black Accents	245/40 R 19 on 8 J x 19 ET 43	R02,R66	\$ 500 <i>Requires Night Package (521)</i>



Interior Upholstery – Sport Styling (321)



121¹

Black MB-Tex

Option price: \$0

Crystal Grey (58U) or Black Headliner (51U)



124

Nut Brown/Black MB-Tex

Option price: \$0

Includes Black Headliner (51U)



125¹

Macchiato Beige/Black
MB-Tex

Option price: \$0

Macchiato Beige (55U) or Black Headliner (51U)



201¹

Black Leather

Option price: \$1,620

Crystal Grey (58U) or Black Headliner (51U)



214

Nut Brown/Black Leather

Option price: \$1,620

Includes Black Headliner (51U)



215¹

Macchiato Beige/Black Leather

Option price: \$1,620

Macchiato Beige (55U) or Black Headliner (51U)

¹When selecting AMG Line Exterior (322), headliner is always black (51U)

Interior Upholstery – Luxury Styling (167)



131

Black MB-Tex

Option price: \$0

Crystal Grey (58U) or Black Headliner (51U)



144

Nut Brown/Esspresso Brown MB-Tex

Option price: \$0

Includes Macchiato Beige Headliner (55U)



145

Macchiato Beige/Esspresso Brown MB-Tex

Option price: \$0

Includes Macchiato Beige Headliner (55U)



801

Black Nappa leather

Option price: \$2,990

Crystal Grey (58U) or Black Headliner (51U)



814

Nut Brown/Esspresso Brown Nappa leather

Option price: \$2,990

Includes Macchiato Beige Headliner (55U)



815

Macchiato Beige/Esspresso Brown Nappa leather

Option price: \$2,990

Includes Macchiato Beige Headliner (55U)

Interior Upholstery – *designo* Nappa Leather



961

designo Black/Titanium Grey Pearl

Option price: \$4,900

*Requires **designo** P62 Package & Power Rear-Window*

Sunshade 540

Includes Black DINAMICA Headliner (61U)



975

designo Macchiato Beige/Saddle Brown

Option price: \$4,900

*Requires **designo** P87 Package & Power Rear-Window*

Sunshade 540

Includes Macchiato Beige DINAMICA Headliner (65U)



Interior Upholstery



<i>Code</i>	<i>Upholstery</i>	<i>Seats</i>	<i>Floor Mats</i>	<i>Upper Dash/Lower Dash</i>	<i>Seat Belts</i>	<i>Steering Wheel</i>	<i>Headliner</i>
121 ¹	Black MB-Tex	Black	Black	Black/Black	Black	Black	Crystal Grey or Black
124	Nut Brown/ Black MB-Tex	Nut Brown	Nut Brown	Black/Nut Brown	Black	Black	Black
125 ¹	Macchiato Beige/ Black MB-Tex	Macchiato Beige	Black	Black/ Macchiato Beige	Black	Black	Macchiato Beige or Black
201 ¹	Black leather	Black	Black	Black/Black	Black	Black	Crystal Grey or Black
214	Nut Brown/ Black leather	Nut Brown	Nut Brown	Black/Nut Brown	Black	Black	Black
215 ¹	Macchiato Beige/ Black leather	Macchiato Beige	Black	Black/Macchiato Beige	Black	Black	Macchiato Beige or Black
131	Black MB-Tex	Black	Black	Black/Black	Black	Black	Crystal Grey or Black
144	Nut Brown/ Espresso Brown MB-Tex	Nut Brown	Nut Brown	Espresso Brown/ Nut Brown	Nut Brown	Espresso Brown	Macchiato Beige
145	Macchiato Beige/ Espresso Brown MB-Tex	Macchiato Beige	Black	Macchiato Beige/ Nut Brown	Macchiato Beige	Espresso Brown	Macchiato Beige
801	Black Nappa leather	Black	Black	Black/Black	Black	Black	Crystal Grey or Black
814	Nut Brown/ Espresso Brown Nappa leather	Nut Brown	Nut Brown	Espresso Brown/Nut Brown	Nut Brown	Espresso Brown	Macchiato Beige
815	Macchiato Beige/ Espresso Brown Nappa leather	Macchiato Beige	Espresso Brown	Espresso Brown/ Macchiato Beige	Macchiato Beige	Espresso Brown	Macchiato Beige
961	Black / Titanium Grey Pearl <i>designo</i> Nappa leather	Black / Titanium Grey Pearl	Black	Titanium Grey Pearl / Black	Black	Black	DINAMICA Black
975	Macchiato Beige / Saddle Brown <i>designo</i> Nappa leather	Macchiato Beige / Saddle Brown	Macchiato Beige	Saddle Brown / Macchiato Beige	Macchiato Beige	Macchiato Beige	DINAMICA Machiato Beige

¹When selecting AMG Line Exterior (322), headliner is always black (51U)



739

Trapeze Cut Aluminum trim

*Special Order Option Charge: \$250
Includes Black Piano Lacquer Center
Console (728)*



731

Burl Walnut wood trim

*Option price: \$0
Includes matching Burl Walnut Wood trim
center console (777)*



H06

Brown Ash wood trim

*Option price: \$0
Includes matching Brown Ash Wood trim
center console (656)*



H09

Natural Grain Brown Ash wood trim

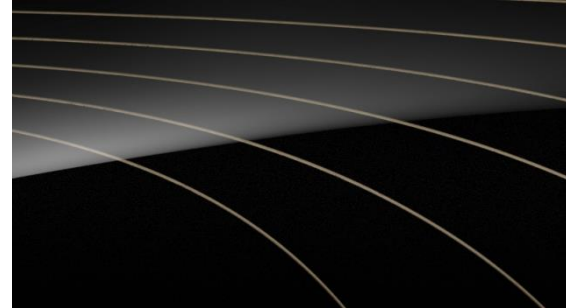
*Option price: \$0
Includes matching Natural Grain Brown Ash
Wood trim center console (730)*



736

Natural Grain Black Ash wood trim

*Option price: \$0
Includes matching Natural Grain Black Ash
wood center console (737)*



H16

designo Black Piano Lacquer Flowing
Lines wood trim

*Option price: \$1,300
Includes Black Piano Lacquer Center Console
(728)*

Interior Trims - Center Console



728

Center Console in Black Piano Lacquer

Requires 739 or H16



656

Center Console in Brown Ash wood

Requires Brown Ash wood trim (H06)



730

Center Console in Natural Grain Brown Ash wood

Requires Natural Grain Brown Ash wood trim (H09)



737

Center Console in Natural Grain Black Ash wood

Requires Natural Grain Black Ash wood trim (736)



777

Center Console in Burl Wanut wood

Requires Burl Walnut wood trim (731)

Details on Image might differ from actual center console



<i>Code</i>	<i>Packages</i>	<i>Availability</i>	<i>MSRP</i>
P01	<p>Premium Package <i>Requires Burmester® Surround Sound System (810) (\$850 included in above Price) or Burmester® High End 3D Surround Sound System (811) (additional \$4,550)</i></p> <ul style="list-style-type: none"> ▪ 234 – Blind Spot Assist ▪ 873 – Heated Front Seats ▪ 897 – Inductive Wireless Charging w/ NFC Pairing ▪ 536 – SiriusXM Radio with 6-month All Access Plan trial ▪ P17 – KEYLESS-GO Comfort Package <ul style="list-style-type: none"> ▪ 871 – HANDS-FREE ACCESS ▪ 881 – Electronic Trunk Closer ▪ 889 – KEYLESS-GO 	All Models	\$ 3,150
317	<p>Convenience Package</p> <ul style="list-style-type: none"> ▪ 234 – Blind Spot Assist ▪ 536 – SiriusXM Radio with 6-month All Access Plan trial ▪ 873 – Heated Front Seats ▪ P17 – KEYLESS-GO Comfort Package <ul style="list-style-type: none"> ▪ 871 – HANDS-FREE ACCESS ▪ 881 – Electric Trunk Closer ▪ 889 – KEYLESS-GO 	E300/4M	\$ 2,400
319	<p>Exterior Lighting Package</p> <ul style="list-style-type: none"> ▪ P35 – Lighting Package code <ul style="list-style-type: none"> ▪ 608 – Adaptive Highbeam Assist ▪ 640 – LED Intelligent Light System 	All Models	\$ 800



<i>Code</i>	<i>Packages</i>	<i>Availability</i>	<i>MSRP</i>
996	Parking Assistance Package <ul style="list-style-type: none"> ▪ P47 – Parking Assist code <ul style="list-style-type: none"> ▪ 235 – Active Parking Assist ▪ 501 – Surround View System 	All Models	\$ 1,290
997	Driver Assistance Package <i>Not with Blind Spot Assist (234) or Active Brake Assist (258).</i> <ul style="list-style-type: none"> ▪ P20 – Driver Assistance Plus Package code <ul style="list-style-type: none"> ▪ K32 – Active Lane Change Assist ▪ K34 – Route-Based Speed Adaptation ▪ 233 – Active Distance Assist DISTRONIC® ▪ 253 – PRE-SAFE PLUS Rear End Collision Protection ▪ 266 – Active Steering Assist ▪ 269 – Active Brake Assist w/ Cross-Traffic Function ▪ 292 – PRE-SAFE® Impulse Side ▪ 546 – Active Speed Limit Assist ▪ Active Emergency Stop Assist, Evasive Steering Assist, Active Blind Spot Assist and Active Lane Keeping Assist ▪ Extended Restart by Stop & Go up to three seconds <p>When ordered with Parking Assistance Package (996), extended restart by Stop & Go up to 30 seconds</p>	All Models	\$ 2,250
325	Rear Safety Package <ul style="list-style-type: none"> ▪ P36 – Rear Safety Package code <ul style="list-style-type: none"> ▪ 293 – Rear seat side air bags ▪ 306 – Rear seat-belt air bags 	All Models	\$ 650
445	Warmth and Comfort Package <i>Requires P01 Premium Package. Not available w/ heated front seats (873)</i> <ul style="list-style-type: none"> ▪ P68 – Warmth and Comfort Package code <ul style="list-style-type: none"> ▪ 443 – Heated Steering Wheel ▪ 902 – Rapid Heating Functionality for Front Seats ▪ 906 – Heated Armrest 	All Model	\$ 1,050



<i>Code</i>	<i>Packages</i>	<i>Availability</i>	<i>MSRP</i>
167	<p>Luxury Styling <i>Not available with Sport Styling (321)</i></p> <ul style="list-style-type: none"> ▪ P22 – Luxury Styling interior ▪ P23 – Luxury Styling exterior styling <ul style="list-style-type: none"> ▪ Luxury radiator grille w/ Mercedes-Benz Star on Hood ▪ 485 – Suspension with selective damping ▪ U09 – MB-Tex upper dashboard and door trim with topstitching ▪ Wheel Choice of: <ul style="list-style-type: none"> ▪ R07 – 17” Twin 5-Spoke Wheels with all-season, run-flat tires (<i>n/a on E 450 4MATIC</i>) ▪ R54 – 18” Twin 5-Spoke Wheels with all-season, run-flat tires (+\$500) ▪ R26 – 19” 10-spoke Wheels with all-season, run-flat tires (+\$1,000) 	All Models	\$ 0
321	<p>Sport Styling <i>Not available with Luxury Styling (167)</i></p> <ul style="list-style-type: none"> ▪ 677 – Lowered suspension with selective damping ▪ 772 – AMG Body Styling ▪ Mercedes-Benz Star in radiator grille ▪ Wheel: <ul style="list-style-type: none"> ▪ R31 – 18” 5-Spoke Wheels with all-season, run-flat tires (<i>E300 / E 300 4MATIC only</i>) ▪ 66R – 18” Twin 5-Spoke Wheels with all-season, run-flat tires (<i>E 450 4MATIC only</i>) 	All Models	\$ 0
322	<p>AMG Line Exterior U29 – Perforated front brake discs & front brake calipers w/ “Mercedes-Benz” lettering (<i>std. on E450 4M</i>)</p> <ul style="list-style-type: none"> ▪ 51U – Black headliner (<i>if in combination with P62 or P87: 51U gets replaced with 61U or 65U DINAMICA headliner</i>) ▪ Wheel Choice of: <ul style="list-style-type: none"> ▪ RQR – 18” AMG 5-Spoke Wheels with all-season, run-flat tires ▪ RTK – 19” AMG Twin 5-Spoke Wheels with all-season, run-flat tires (+\$500) 	E 300 / 4M E 450 4M	\$ 650 \$ 500



<i>Code</i>	<i>Packages</i>	<i>Availability</i>	<i>MSRP</i>
521	<p>Night Package <i>Requires AMG Line Exterior (322)</i></p> <ul style="list-style-type: none"> ▪ P55 – Night Package code ▪ High-gloss black elements: front splitter, grille trim, rear diffuser, side mirrors, window trim ▪ Wheel Choice of: <ul style="list-style-type: none"> ▪ RQQ - 18" AMG 5-Spoke Wheels w/ Black Accents with all-season, run-flat tires ▪ RTJ - 19" AMG Twin 5-Spoke Wheels w/ Black Accents with all-season, run-flat tires (+\$500) 	All Models	\$ 300
P62	<p>designo Black/ Titanium Grey Pearl Nappa Leather <i>Available with all trim choices; Requires Power Rear-Window Sunshade (540)</i></p> <ul style="list-style-type: none"> ▪ 961 – <i>designo</i> Black/Titanium Grey Pearl Nappa leather seats in diamond quilt design, with contrasting topstitching, and <i>designo</i> badge on backrests of front seats ▪ U04 – <i>designo</i> floor mats ▪ 61U – <i>designo</i> Black DINAMICA headliner ▪ U38 – Upper dashboard and doors in <i>designo</i> Titanium Grey Pearl Nappa leather with contrasting topstitching ▪ Door and center console armrests in <i>designo</i> Black Nappa Leather ▪ Chrome Door Pins 	All Models	\$ 4,900
P87	<p>designo Macchiato Beige/Saddle Brown Nappa Leather <i>Available with all trim choices; Requires Power Rear-Window Sunshade (540)</i></p> <ul style="list-style-type: none"> ▪ 975 – <i>designo</i> Macchiato Beige / Saddle Brown Nappa leather seats in diamond quilt design, with contrasting topstitching, and <i>designo</i> badge on backrests of front seats ▪ U04 – <i>designo</i> floor mats ▪ 65U – <i>designo</i> Macchiato Beige DINAMICA headliner ▪ U38 – Upper dashboard and doors in <i>designo</i> Saddle Brown Nappa leather with contrasting topstitching ▪ Door and center console armrests in <i>designo</i> Macchiato Beige Nappa leather ▪ Chrome Door Pins 	All Models	\$ 4,900


Stand-Alone Options



<i>Code</i>	<i>Options</i>	<i>Availability</i>	<i>MSRP</i>
234	Blind Spot Assist <i>Not available with 997 Driver Assistance Package</i>	All Models	\$ 550
401	Heated and Ventilated Front Seats <i>Requires P01 Premium Package and Leather (2xx) or Nappa Leather (8xx) Upholstery</i> <i>Not available with heated front seats (873)</i>	All Models	\$ 450
413	Panorama Sunroof	All Models	\$ 1,000
432	Active Multicontour Front Seats w/ Massage Feature <i>Requires P01 Premium Package</i> <i>Not available with heated front seats (873)</i>	All Models	\$ 1,320
443	Heated Steering Wheel <i>Not available with Warmth and Comfort Package (445)</i>	All Models	\$ 250
463 !	Head-Up Display	All Models	\$ 990
464 !	12.3" Digital Instrument Cluster	All Models	\$ 850
489	AIR BODY CONTROL air suspension	All Models	\$ 1,900
536	SiriusXM Radio with 6-month All Access Plan trial	All Models	\$ 460
540	Power Rear-Window Sunshade	All Models	\$ 440
581	3-Zone climate control	All Models	\$ 760
811	Burmester® High-End 3D Surround Sound System <i>Requires P01 Premium Package</i>	All Models	\$ 5,400
866	Pre-Wiring for Rear Seat Entertainment & Comfort Adapter	All Models	\$ 170
883	Soft-Close Doors	All Models	\$ 550
L3D	Wood/leather steering wheel <i>Requires Burl Walnut wood trim (731)</i> <i>Not available with 445 Package or heated steering wheel (443)</i>	All Models	\$ 600
P21	Air Balance Cabin Air Fragrance & Filtration System	All Models	\$ 350
U25	Illuminated door sills with "Mercedes-Benz" lettering	All Models	\$ 350

Stand-Alone Options



<i>Code</i>	<i>Options</i>	<i>Availability</i>	<i>MSRP</i>
U80	115V AC Power Outlet	All Models	\$ 115
PAF	Acoustic Comfort Package <i>Increased Cabin Insulation, Windshield and Side Windows with Acoustic and Heat Absorbing Membrane</i>	All Models	\$ 1,100
<i>Code</i>	<i>Special Order Options (additional charge of \$250)</i>	<i>Availability</i>	<i>MSRP</i>
293	Rear seat side air bags	All Models	\$ 420
313	Sun Protection Package <i>Requires Power Rear-Window Sunshade (540)</i> <ul style="list-style-type: none"> ▪ P09 – Sun Protection Package Code ▪ 313 – Manual rear-side window sunshades 	All Models	\$ 380
872	Heated Rear Seats <i>Requires one of the following: 873, 401, 432 or 445 and Leather (2xx) or Nappa Leather (8xx) upholstery</i>	All Models	\$ 580
RQJ	18" AMG 5-Spoke Wheels with Summer Tires <i>(incl. Low Noise Vibration Harshness High-Performance Tires)</i> <i>Requires AMG Line Exterior (322)</i>	All Models	\$ 0
<i>Code</i>	<i>VPC Installed Accessories</i>	<i>Availability</i>	<i>MSRP</i>
00A	Illuminated Star <i>Not available with Driver Assistance Package (997) or Luxury Styling (167)</i>	All Models	\$ 450
068	Wheel Locking Bolts	All Models	\$ 150
070	Chrome Door Handle Inserts <i>(Set of 4)</i>	All Models	\$ 100
104	Rear Deck Spoiler in Body Color <i>(n/a with 21A or 129)</i>	All Models	\$ 350
11A	Black Mirror Housings <i>(n/a with Night Package (521) or paint codes 040 or 197)</i>	All Models	\$ 250
15A 	LED Logo Projectors <i>(Set of 2)</i>	All Models	\$ 275
21A	Black Rear Spoiler <i>Not available with 104, 21A or paint codes 040 or 197</i>	All Models	\$ 350
129	Accessory Styling Package (Roof & Rear Spoiler) <i>Not available with 104 or 21A</i>	All Models	\$ 650
137	Comfort Box	All Models	\$ 300



Headlamps



LED headlamps (632)

Standard

- All functions feature LED technology
- Excellent illumination of the road
- Distinctive look during day and night
- Integrated LED daytime running lamps
- Projector LED low-beam and reflective LED high-beam technology
- LED taillamps (w/stardust effect)
- Low energy consumption
- Much longer bulb life



LED Intelligent Light System (640)

Optional

Included in Exterior Lighting Package (319)

All functions of the standard LED headlamps plus:

- Automatic high-beam control by Adaptive Highbeam Assist
- Automatically activated cornering lights
- Active light function for significantly better illumination in bends





Steering Wheels



E-Class Coupe interior shown

3-Spoke multifunction steering wheel (L3B)

Standard

- Newly redesigned 3-spoke multifunction steering wheel in nappa leather
- Touch Control buttons for direct control of the instrument cluster and to control the functions of the multimedia system.
- Painted steering wheel shift paddles (428)
- Optional Active Distance Assist DISTRONIC® or std cruise control is controlled via steering wheel-mounted controls



E-Class Coupe interior shown

Wood/leather steering wheel (L3D)

Optional

Requires Burl Walnut wood trim (731)

Not available with heated steering wheel (443)

- The combination of high-quality leather in the grip area and fine wood inserts at the top and bottom make this steering wheel a visual and tactical highlight.
- Painted steering wheel shift paddles (428)



E-Class Coupe interior shown

Heated Steering Wheel (443)

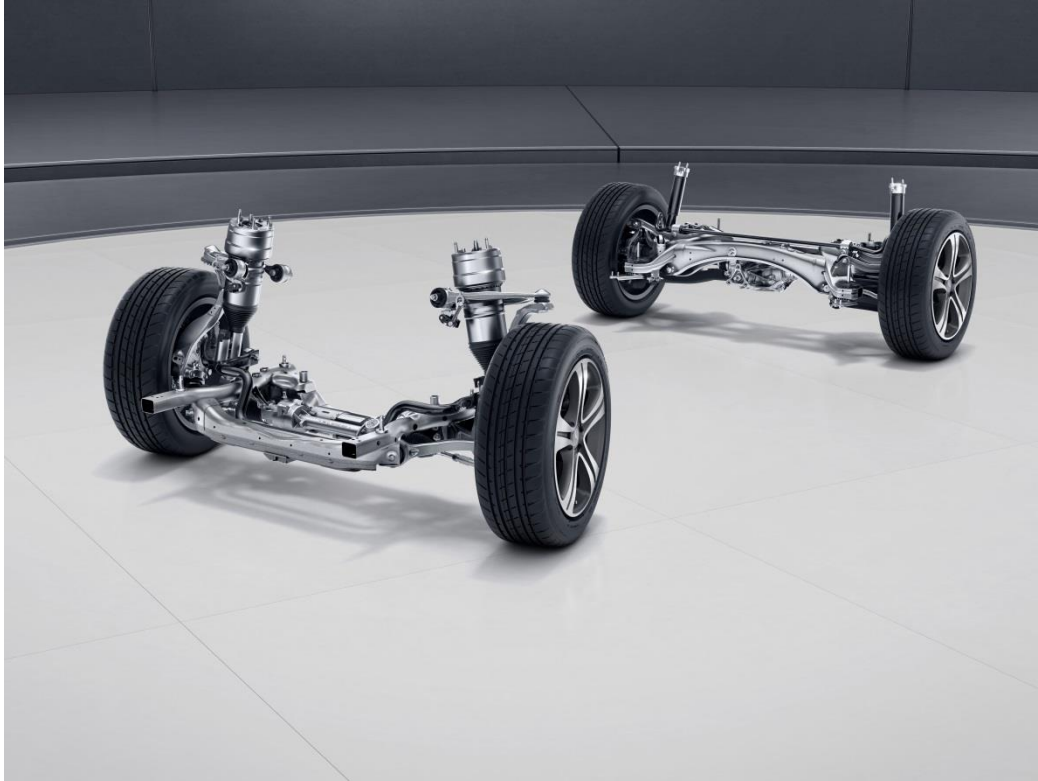
Optional

Not available with wood/leather steering wheel (L3D)

- On cold days, the heated 3-spoke steering wheel rim very quickly warms the grip area of the steering wheel to around 95°F to ensure pleasantly warm hands.
- The function is switched on and off by turning the control lever for adjusting the multifunction steering wheel.



AIR BODY CONTROL (489)



AIR BODY CONTROL air suspension (489)

Option Price: \$1,900

- Multi-chamber air suspension combined with continuously adjustable damping to improve ride comfort and driving dynamics
- Vehicle characteristics can be varied from comfortable through to sporty using DYNAMIC SELECT switch
- "Comfort" and "Sport" settings for a more comfortable or stiffer, sportier setup
- Constant vehicle level irrespective of load thanks to pneumatic all-round self-levelling suspension
- Suspension level can be raised for poor surfaces and is automatically lowered at high speeds, helping to reduce aerodynamic drag and further improve handling stability
- Selective luggage compartment lowering not applicable on E300/E300 4M / E450 4M





Burmester® Surround Sound System (810)



Burmester® Surround Sound System (810)

Included in Premium Package (P01)

- 13 high-performance speakers precisely configured for the vehicle interior to ensure well-balanced and very dynamic music reproduction
- 9-channel DSP amplifier with a total output of 590 watts (7 x 50 W and 2 x 120 W) for maximum sound quality with very high volume reserves
- Frontbass® technology with woofers integrated into the dash for vibrant bass reproduction
- Combination of digital and analogue filter elements for the unique Burmester® "feel-good sound"
- Sound optimization for the front and rear seats
- Noise compensation (VNC)
- Sound preset: surround function to generate virtual all-round sound
- Support for popular multi-channel formats such as Dolby Digital 5.1/DTS for example, for true surround sound



Pre-Wiring for Rear Seat Entertainment and Comfort Adapter (866)



Pre-Wiring for Rear Seat Entertainment and Comfort Adapter (866)

Option price: \$170

The new code 866 is a slot in the backrest of the front driver and passenger seats with a plug-in adapter. Several rear seat entertainment and comfort accessories work in conjunction with this adapter. Accessories must be purchased separately.

IMPORTANT NOTE:

Please do not confuse the existing equipment "Pre-Installation Rear Seat Entertainment" with this equipment as they have the same code.





Natural Grain Black Ash wood trim (736) & Natural Grain Brown Ash wood (H09) w/ matching center console



Natural Grain Black Ash wood center console



Natural Grain Brown Ash wood center console

Details on Image might differ from actual center console



designo Black/Titanium Grey Pearl (P62)





designo Macchiato Beige/Saddle Brown (P87)





Panorama Sunroof (413)



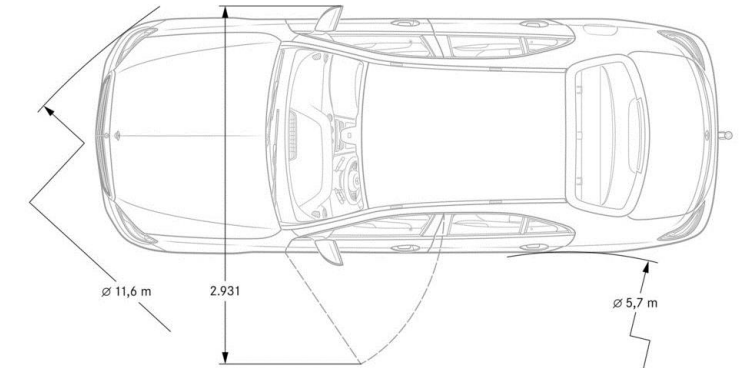
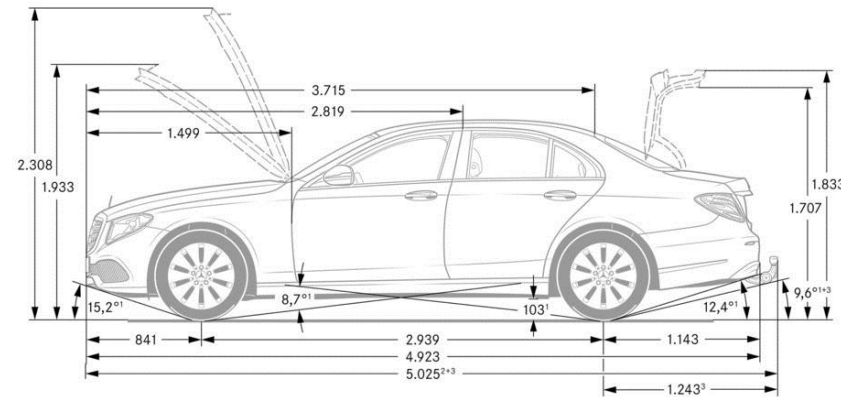
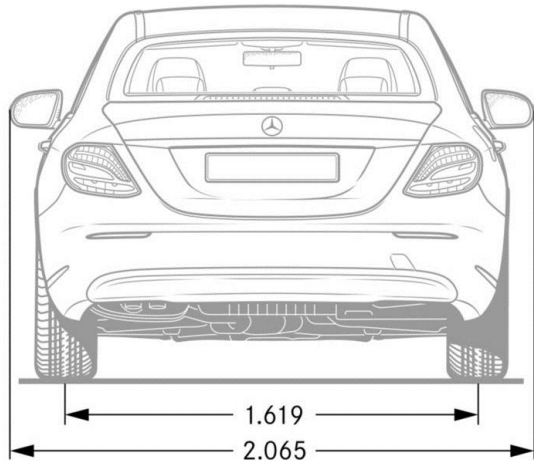
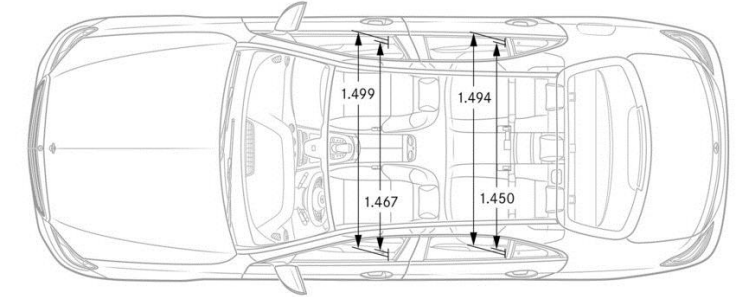
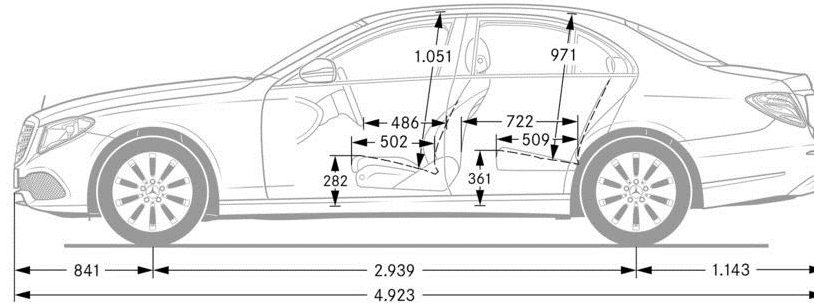
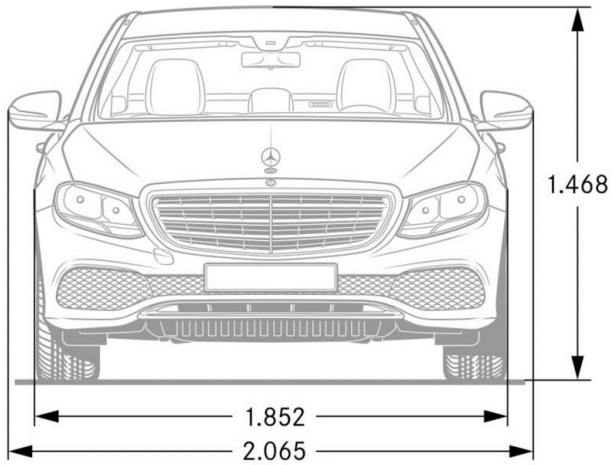
Panorama roof (413)
Option Price: \$1,000





	<i>E 300</i>	<i>E 300 4MATIC</i>	<i>E 450 4MATIC</i>
Engine Configuration	2.0L inline-4 turbo engine	2.0L inline-4 turbo engine	3.0L V6 biturbo engine
ICE Power (hp)	241	241	362
Torque (lb-ft)	273	273	369
Displacement (cc)	1,991	1,991	2,996
Acceleration 0-60 mph (sec)	6.2	6.3	5.0
Fuel Economy (Cty/Hwy/Comb)	tbd	tbd	tbd
Top Speed (mph)	130	130	130
Fuel Requirement (Octane)	91	91	91
# Valves per cylinder	4	4	4
Compression	9.8:1	9.8:1	10.5:1
Transmission	9G-TRONIC 9-Speed Automatic Transmission	9G-TRONIC 9-Speed Automatic Transmission	9G-TRONIC 9-Speed Automatic Transmission
Transmission Speeds	9	9	9
Drive Configuration	Rear-wheel drive	All-wheel drive	All-wheel drive
Fuel Tank Size (gallons)	17.4	17.4	21.1
Trunk Size (cubic feet)	13.1	13.1	13.1
Curb Weight (lbs)	tbd	tbd	tbd
Vehicle Length (in.)	193.8	193.8	193.8
Vehicle Width w/ exterior mirrors (in.)	81.3	81.3	81.3
Vehicle Height (in.)	58.4 (Luxury Styling)/57.8	58.4 (Luxury Styling)/57.8	58.4 (Luxury Styling)/57.8
Wheelbase (in.)	115.7	115.7	115.7
Track Width Front/Rear (in.)	tbd	tbd	tbd

Specifications* – E 300/4MATIC & E 450 4MATIC (Luxury Styling)



AMG E-Class Sedan



W213

Model Year 2019

Subject to Change

AMG
DRIVING PERFORMANCE

AMG E 53/ E 63 S



Models



What's new?



Standard Equipment



Exterior Paint Colors



Wheels



Interior Upholstery



Interior Trims



Option Packages



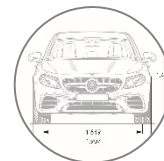
Stand-Alone Options



Options in Detail



Specifications



Specifications