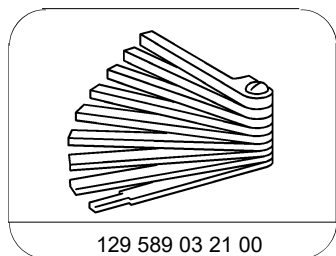


Test and adjustment values for gap dimensions

Number	Designation	Model 209.4
BE60.00-P-1001-01G	Gap dimension Engine hood to fender Engine hood to headlamp Engine hood to bumper	Dimension "A" mm 3 (±1)
		Dimension "B" mm 4 (±0.5)
		Dimension "C" mm 5 (±0.5)
		See picture AR60.00-P-0700-01Q A
BE60.00-P-1002-01G	Gap dimension Front door to A-pillar Front door to fender Front door to rear fender	Dimension "D" mm 1
		Dimension "E" mm 3.5 (-0.5/+1)
		Dimension "F" mm 3.5 (-0.5/+1)
		See picture AR60.00-P-0700-01Q A
BE60.00-P-1003-01G	Gap dimension Trunk lid to rear fender, top Trunk lid to rear lamp unit Trunk lid to bumper Rear fender to rear lamp unit Trunk lid license plate panel to rear lamp unit	Dimension "G" mm 3.5 (±1)
		Dimension "H" mm 3.5 (±0.5/+1)
		Dimension "I" mm 6.5 (+1)
		Dimension "J" mm 3 (±1)
		Dimension "K" mm 2.5 (±0.5)
See picture AR60.00-P-0700-01Q A		
BE60.00-P-1004-01G	Gap dimension Fuel filler flap	Dimension "L" mm 3.2 (+0.5)
		See picture AR60.00-P-0700-01Q A
BE60.00-P-1005-01G	Gap dimension Front door window and rear side window Front door window and soft top	Dimension "Q" mm 8 (+1)
		Dimension "R" mm -
		See picture AR60.00-P-0700-01Q A
BE60.00-P-1006-01G	Gap dimension Soft top to windshield frame Soft top to soft top compartment cover	Dimension "M" mm 10 (±2)
		Dimension "N" mm 3 (±0.5)
		See picture AR60.00-P-0700-01Q A
BE60.00-P-1007-01G	Gap dimension Soft top compartment cover/ rear fender Soft top compartment cover to trunk lid	Dimension "O" mm 3 (±0.5)
		Dimension "P" mm 4.5 (±1)

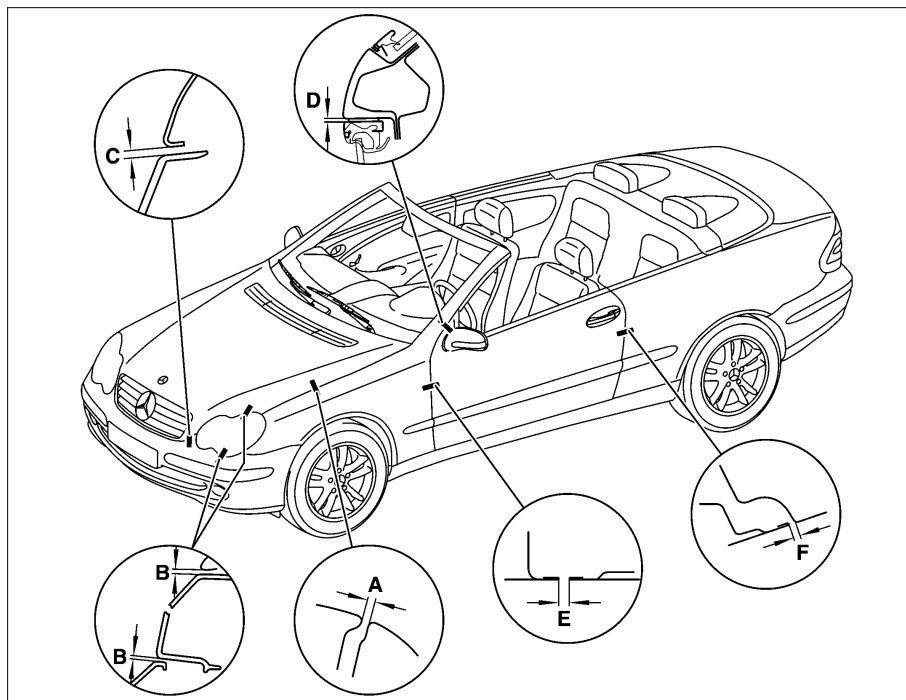


129 589 03 21 00

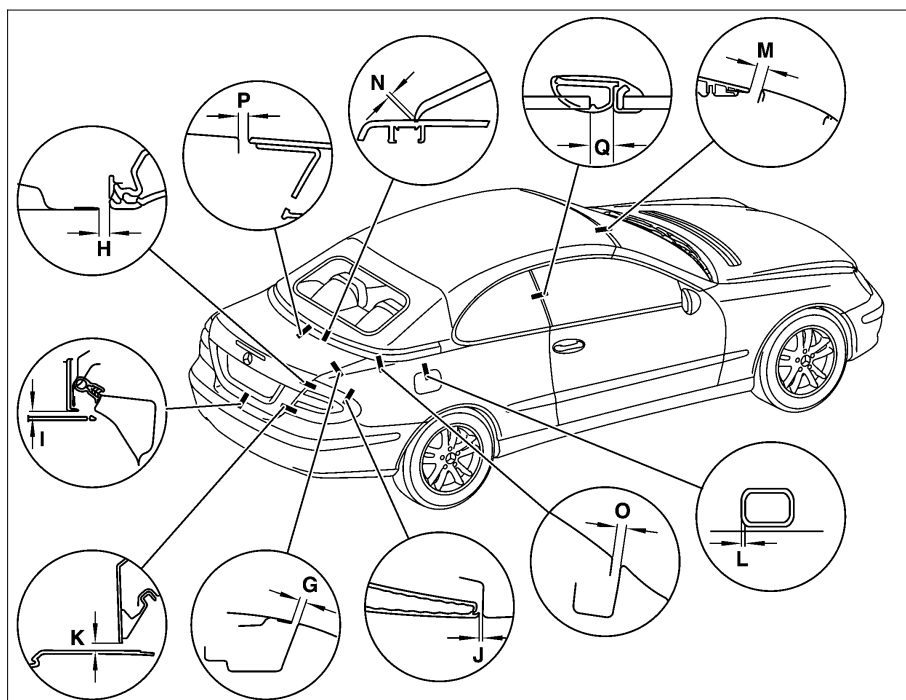
Feeler gauge

i

Adjust hoods, doors and lids as shown in drawing. The gap should not run wedge-shaped or be too narrow at points. Deviations from parallel gap should be max. 0.5 mm over the entire length. If the inside clearance is too large or too small, the movable body parts must be centered accordingly. The reference measurements apply only for repair work on bodies damaged in accidents.



P60.00-2245-06



P60.00-2246-06