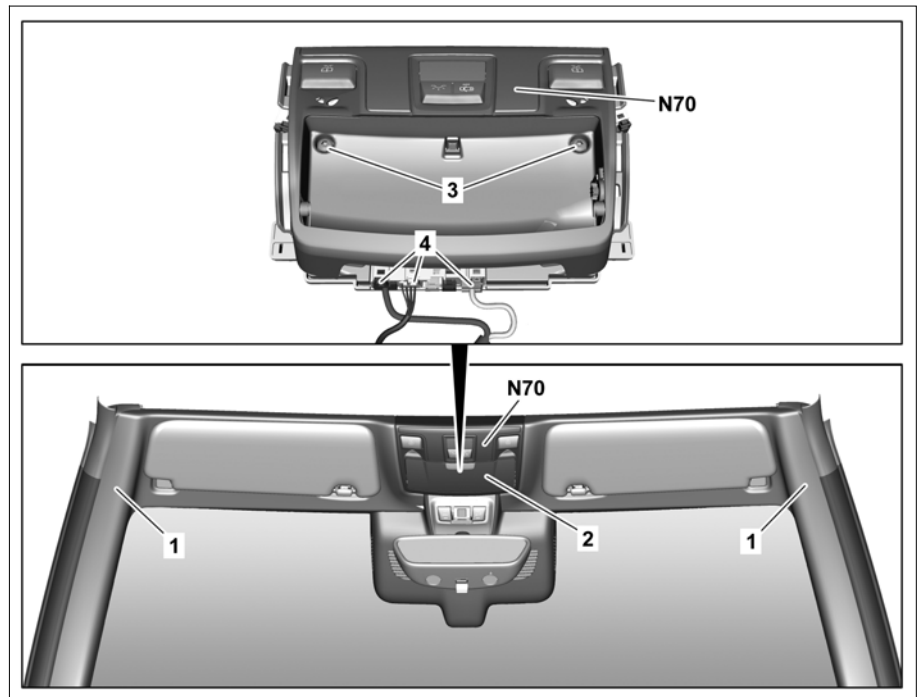


Model 205.4

Model 238.4

Shown on model 205.4

- 1 A-pillar trim panel
 2 Eyeglass compartment
 3 Bolts
 4 Electrical connectors
 N70 Overhead control panel control unit



P82.20-4529-06

	Information on preventing damage to electronic components due to electrostatic discharge		AH54.00-P-0001-01A
	Remove/install		
1 	Perform initial startup of overhead control panel control unit (N70)	When replacing the overhead control panel control unit (N70). Model 205.4 Model 238.4	AD00.00-P-2000-04B AD00.00-P-2000-06LWO
2	Switch off ignition and store transmitter key outside of transmission range (min. 2 m)		
3	Remove A-pillar trims (1)		AR68.30-P-4050LW
4	Open eyeglasses compartment (2) and remove screws/bolts (3)		
5	Detach overhead control panel control unit (N70)		
6	Disconnect electrical connectors (4) and remove overhead control panel control unit (N70)	The number of electrical connections (4) may vary depending on the vehicle equipment involved.	
7	Install in the reverse order		