

Model 238

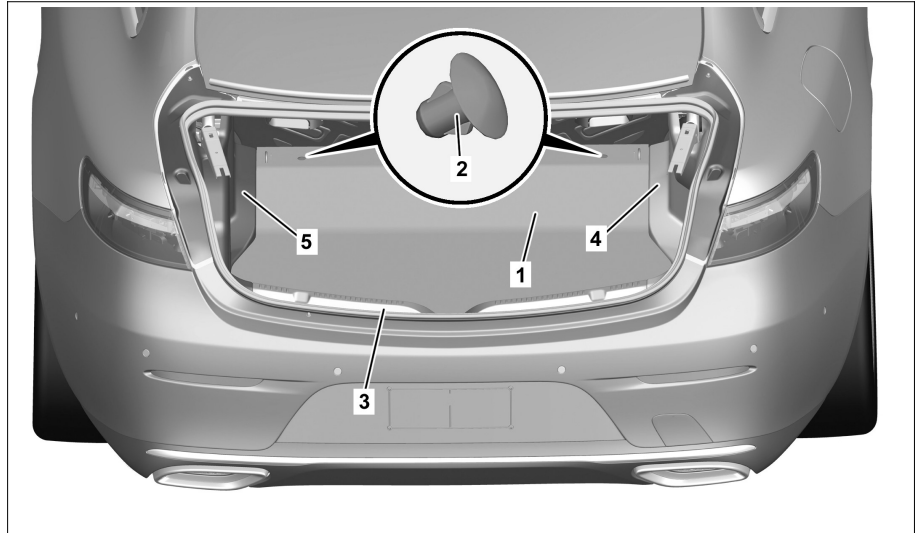
Modification notes

25.10.2018 Special tool updated.

Operation steps 1 and 4.1

Shown on model 238.3

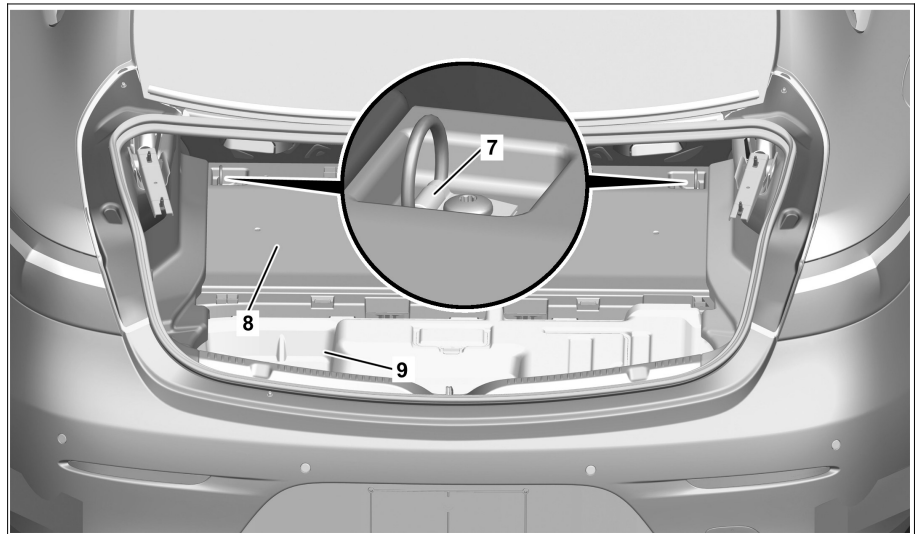
- 1 Trunk floor
- 2 Mounting clip
- 3 Rear center section paneling
- 4 Right trunk paneling
- 5 Left trunk paneling



P68.30-3950-05

Shown on model 238.3

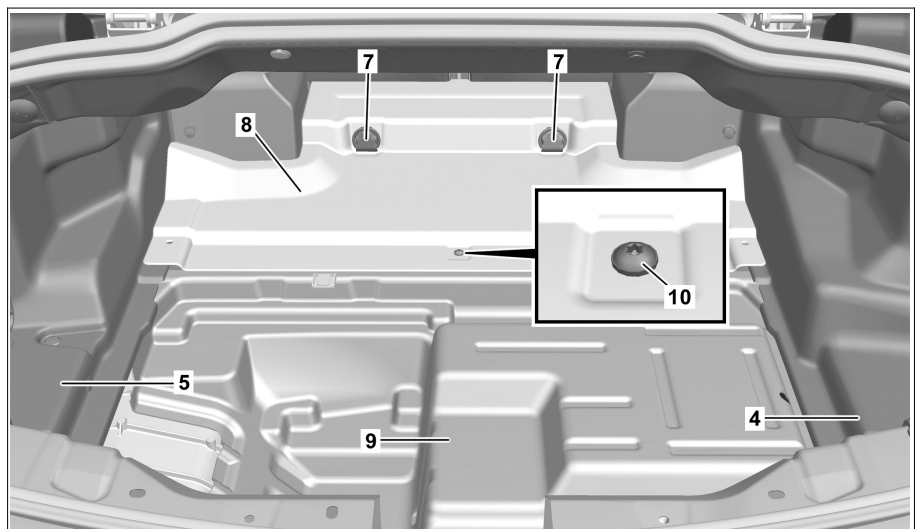
- 7 Tie-down eye
- 8 Cover
- 9 Trunk recess cover


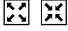
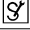





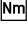
P68.30-3951-05

Shown on model 238.4

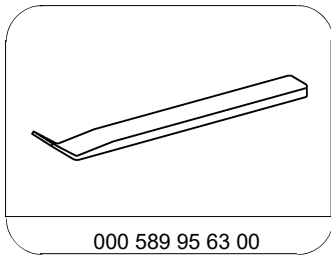
- 4 Right trunk paneling
- 5 Left trunk paneling
- 7 Tie-down eye
- 8 Cover
- 9 Trunk recess cover
- 10 Screw



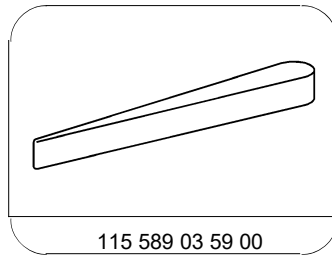
 Warning	Risk of injury caused by fingers being jammed or pinched when removing, installing or aligning hoods, doors, trunk lid/rear-end door or sliding roof.	No parts of the body or limbs should be within the operating area when the components are moving.	AS00.00-Z-0011-01A
	Notes on HANDS-FREE ACCESS		AH80.61-P-0001-01A
	Remove/install		
1	Remove retaining clips (2) and trunk floor (1).	 Dismantling tool	*000589956300
2	Remove rear-end center section trim (3).		AR68.30-P-4785LW
3	Remove tie-down eyes (7).	 Screw/bolt for tie-down eye  Clip remover	*BA68.50-P-1001-03I *452589016300
4.1	Pull luggage compartment well cover (9) out of cover (8).	Model 238.3  Long wedge	*115589035900
4.2	Remove screw (10) from cover (8).	Model 238.4	
5	Remove cover (8) toward rear.		
6	Remove right trunk lining (4) and left trunk lining (5).	Model 238.3 Model 238.4	AR68.30-P-4800LWO AR68.30-P-4800LWR
7	Remove luggage compartment well cover (9).		
8	Install in the reverse order		

 Cargo retainers

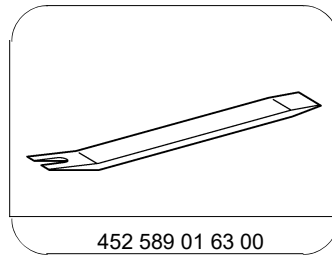
Number	Designation	Model 238
BA68.50-P-1001-03I	Screw/bolt for tie-down eye	Nm 24



Dismantling tool



Long wedge



Clip remover