

All models

Oil grades

ATF Refer to MBNA Factory Approved Service Products list

Capacities in liters

Models with	Transmission	Full capacity	Oil change
4- and 5-cylinder engines	722.1	6.1	4.8
	722.3	7.3	6.2
	(exc. 102.98, 602.96) 722.4	6.6	5.5
	(102.98, 602.96) 722.4	7.1	6.0
6-cylinder engines	722.1	6.6	5.3
	722.3	7.3	6.2
	722.4	7.1	6.0
	722.5	7.3	6.2
8-cylinder engines	3.8, 1981-82 3.8, 1983-85	722.3	7.3
		722.3	8.6
	4.2, 5.0, 5.6	722.0	8.9
		722.3	8.6
12-cylinder engines	722.3	8.6	7.7

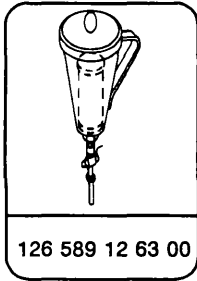
Torque specifications

Nm

Drain plug, torque converter	14
Drain plug, oil pan (transmission 722.3, 722.4, 722.5)	14
Bolts, oil pan	Transmission 722.0, 722.1 7
Bolts, oil pan	Transmission 722.3, 722.4, 722.5 8
Bolts, front axle crossmember (model 126)	45

Note: On vehicles operating under severe conditions (e.g. taxi operation, primarily city operation, trailer operation, or operation in mountainous regions), perform additional oil change (without filter change) in between normal interval.

Special tools



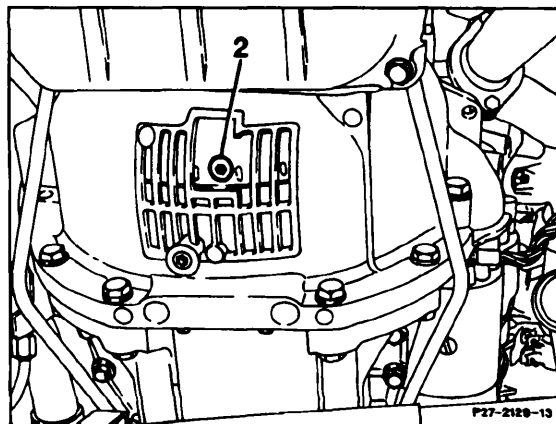
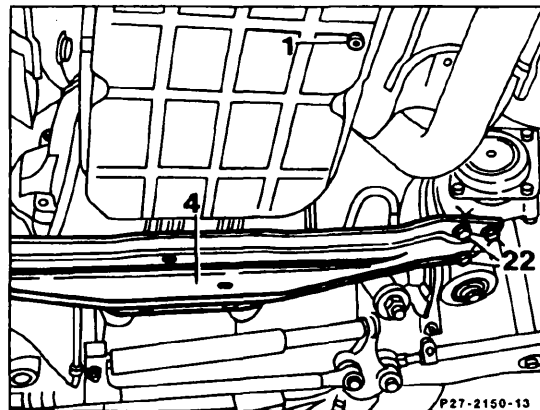
Note: When performing this job number, the engine compartment lower panel or the noise encapsulation panel must be removed, and replaced after completing all maintenance work (refer to job number 6190 or 9400).

Caution! Perform fluid change with engine stopped and selector lever in P position.

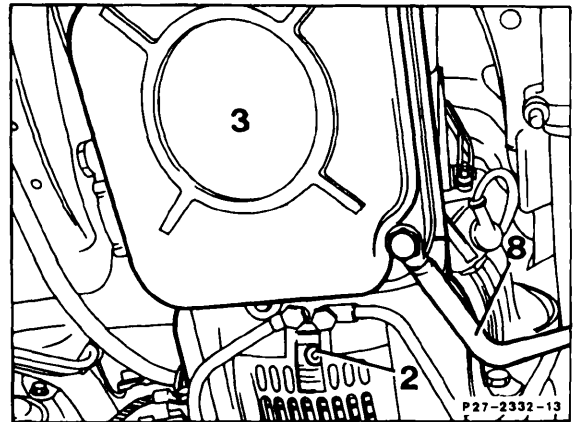
On model 126, remove front axle crossmember (4), to gain access to torque converter drain plug.

Bolts (22) are self-locking (micro-encapsulated) and should be replaced.

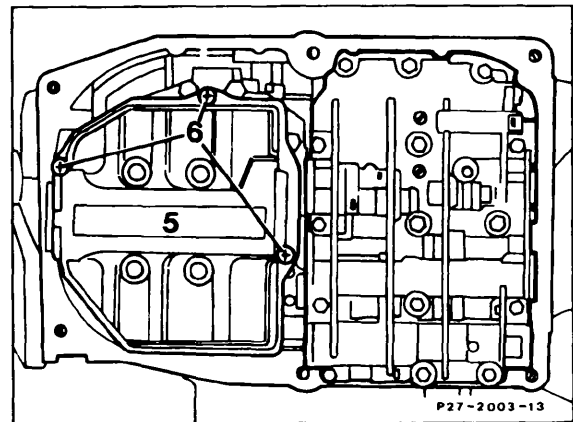
- Remove oil pan drain plug (1) on transmission 722.3, 722.4, and 722.5 and drain fluid.
- Turn crankshaft until drain plug (2) of torque converter is accessible through opening in vent grille. Remove drain plug and allow fluid to drain.



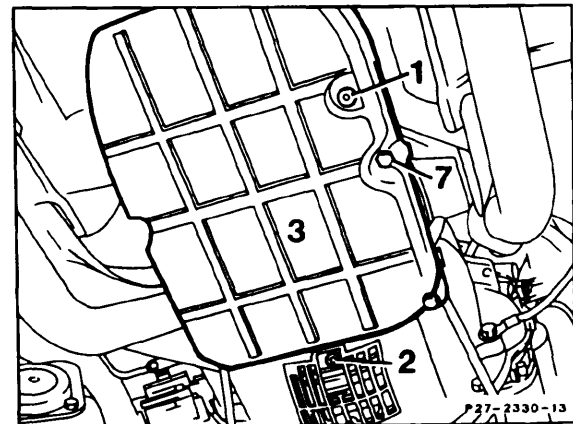
- Disconnect filler pipe (8) (transmission 722.0 and 722.1) and drain fluid.
- Remove pan (3).



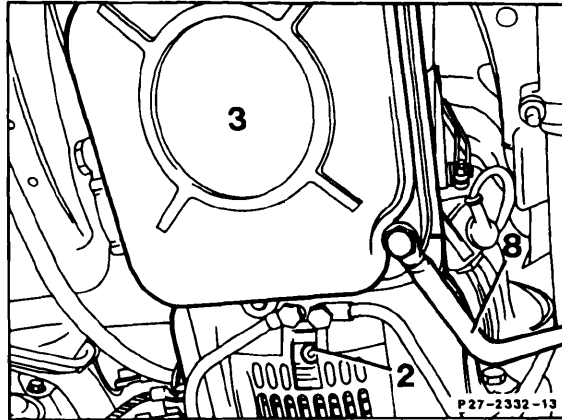
- Replace filter (5).



- Clean pan (3) and install, torque bolts (7) on transmission 722.0, 722.1, to 7 Nm and transmission 722.3, 722.4, 722.5 to 8 Nm.
- Install pan drain plug (1) and torque converter drain plug (2) and torque to 14 Nm.
- Model 126: Install front axle crossmember, torque bolts to 45 Nm.



- Install oil filler pipe (8) (transmission 722.0, 722.1).



- Actuate parking brake.
- Insert funnel (050) into dipstick opening and, with engine stopped, fill in approx. 4 liters of fluid. Start engine and run in selector lever position P at idle. Gradually add remaining fluid. Move selector lever through positions R-N-D-N-R, pausing in each position for several seconds, then return to position P.
- Correct fluid level (refer to job no. 2710).

