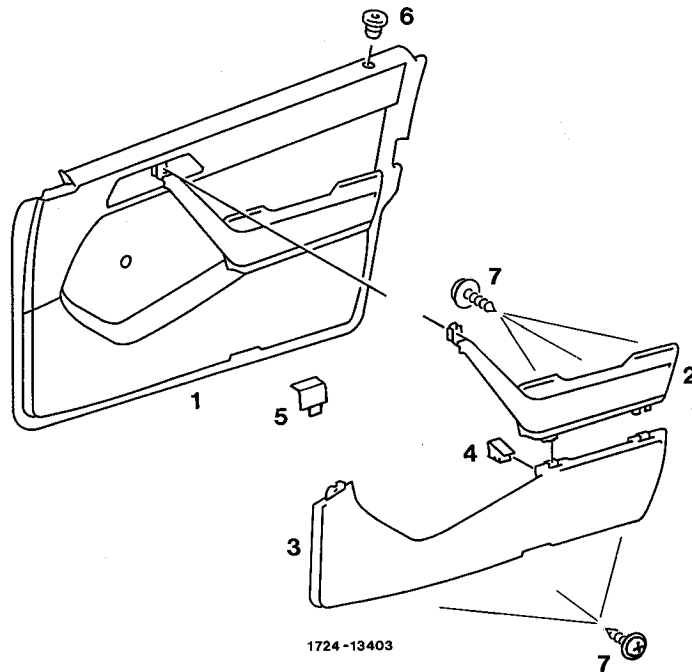


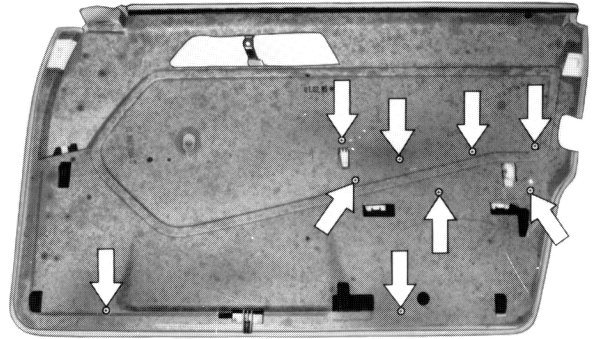
**72-103 Disassembly and assembly of door lining on driver's door**



1	Door lining .....	remove (72-100)
2	Armrest .....	with new armrest, grind off plastic welding stud (pay attention to installation note)
3	Door pocket .....	grind off fastening bolts (pay attention to installation note)
4	Plastic clamp .....	3 each
5	Plug clamp	
6	Bushing	
7	Screws .....	2 each for door pocket, 7 each for armrest (refer to installation note)

## Disassembly and assembly

- 1 Remove door lining (72-100) and place on suitable support.
- 2 Separate plastic weld projections with ripping chisel (arrows).
- 3 Pull off plastic clamp (4).
- 4 Remove plug clamp (5).
- 5 Remove door pocket (3) and armrest (2) from door lining (1).
- 6 Remove bushing (6).



172-30496

## Installation note

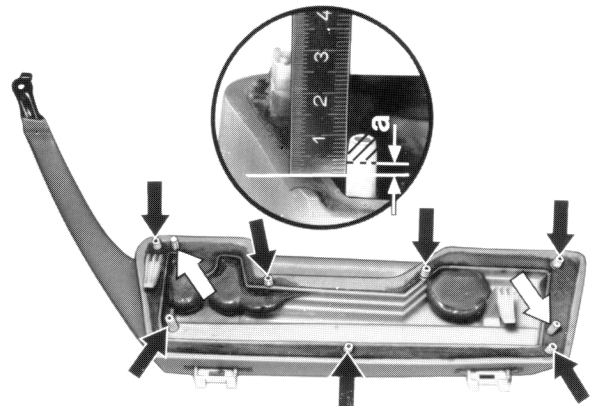
Grind plastic studs (7 each) on **new** armrest to length.

### Attention!

Do not damage covering of armrest.

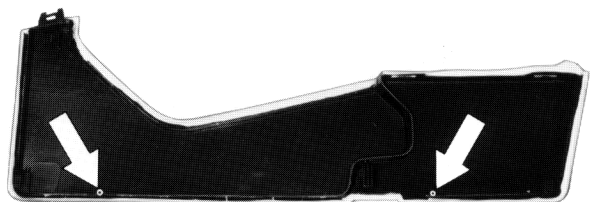
### Dimensions

- a 3 mm (at fastening bolts)
- 5 mm (at locking bolts, white arrows)



172-30493/1

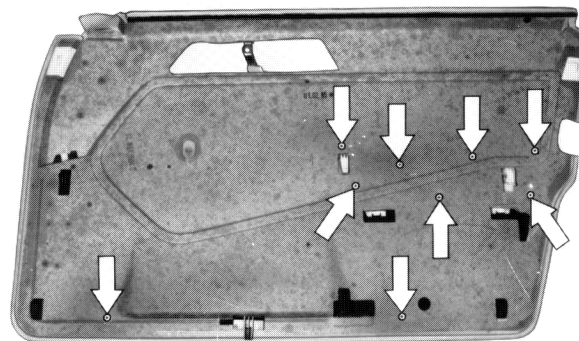
Grind fastening bolts on door pocket (2 each) down to 1 mm length.



172-30495

Fasten armrest and door pocket with screw, part No. 914 135 004 201, and washer, part No. 002 021 00 41 03, to door lining.

7 For further assembly proceed vice versa.



172-30496