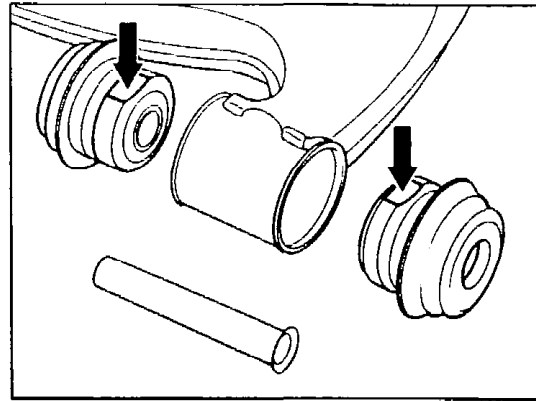


**Installed position of rubber mounts
Model 201 (front mounting) and models 124
and 129 (rear mounting)**

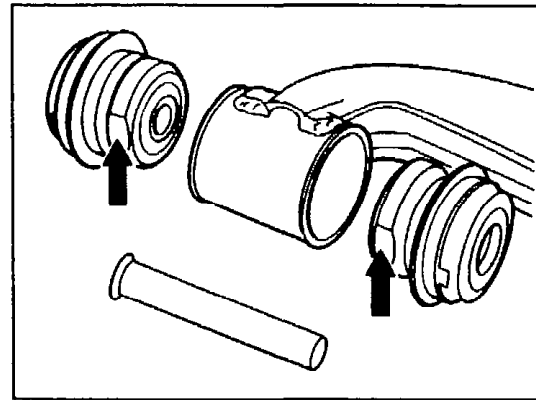
7 Install the rubber mounts so that the flats (arrows) are vertical.



P33-2053-13

**Installed position of rubber mounts
Models 124 and 129 (front mounting) and
model 201.03 (rear mounting)**

8 Install the rubber mounts so that the flats (arrows) on the front mounting are horizontal.

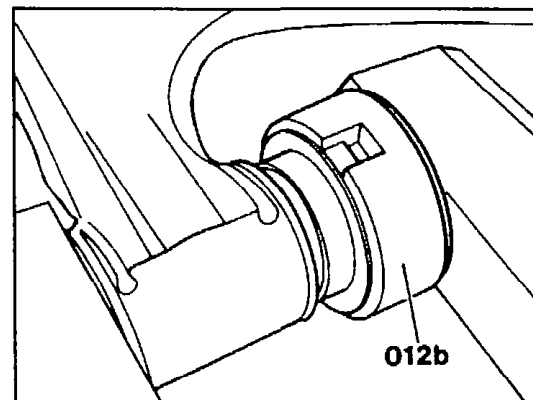


P33-2054-13



- Correct installed positions are absolutely essential
- Only replace rubber mounts in complete pairs
- Only install the same type of rubber mount (the Shore hardness of the rubber mount is determined by the number and shape of the lugs).

9 Individually press rubber mounts into control arm in a vise while ensuring that the lugs of the rubber mounts engage in the recess of the thrust piece (012b).



P33-2032-13