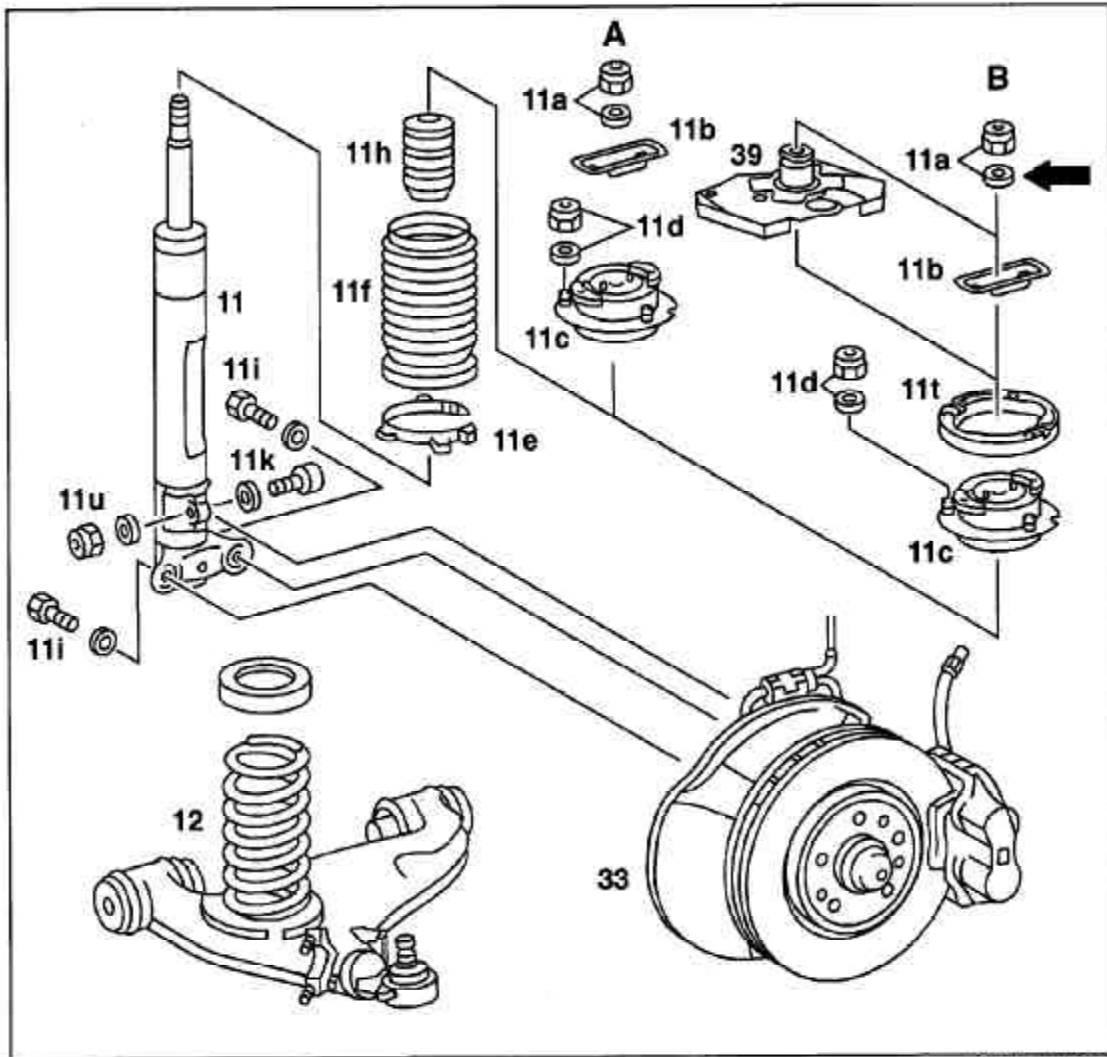


## 32-100 Removing and installing shock absorber struts

Preliminary work:  
Front wheel removed.



P32.25-0230-59

**A** = Version, model 124, coupe, sedan, T-model  
and model 201

**B** = Version model 124.06 convertible

Front spring (12) .....

compress with spring compressor  
202 589 01 3100 and tensioning plates  
202 589 13 63 00 (2 each) (32-200).

Front half axle on wishbone .....

lift with jack, lower.

Self-locking nut with washer (11a) .....	unscrew, replace, 80 Nm. Use socket 124 589 00 09 00 and torque wrench 001 589 67 21 00 (item 2). On model 124.06 (convertible) use a 0.2 mm thick steel washer (arrow) instead of this washer between vibration damper (39) and nut (11a) (item 15).
Vibration damper (39) .....	remove, install (notes, items 2, 17).
Rebound stop (11b) .....	remove, install (note, item 2).
Clip for ABS speed sensor line .....	pull out of mount on shock absorber strut, insert and screw in.
Hex. head bolts with washers (11i) .....	unscrew, replace, 110 Nm (items 6, 12).
Self-locking nut with washer (11u) .....	unscrew, replace. Remove bolt with washer (11k), install. (Note, item 14).
	Tightening torques:   M12x1.5   110 Nm M14x1.5   200 Nm
	Secure steering knuckle against falling down with suitable hook (item 7).
	 Do not subject brake hose, electric wires for brake pad wear indicator and ABS speed sensor to tension.
Shock absorber strut (11) .....	remove downward toward front of vehicle, install.
Retaining strap (11e) .....	tighten (item 10).
Spacer ring (11t) .....	location between rubber mount (11c) and body (model 124.06).
Boot (11f) .....	remove, attach, hook onto the two short collars on the rubber mount (11c) (notes, item 8).
Stop buffer (11h) .....	remove, install (for match-up see technical data manual or parts microfiche).
Wheel alignment .....	check on front wheels (40-0322/0323).

### Special tools

