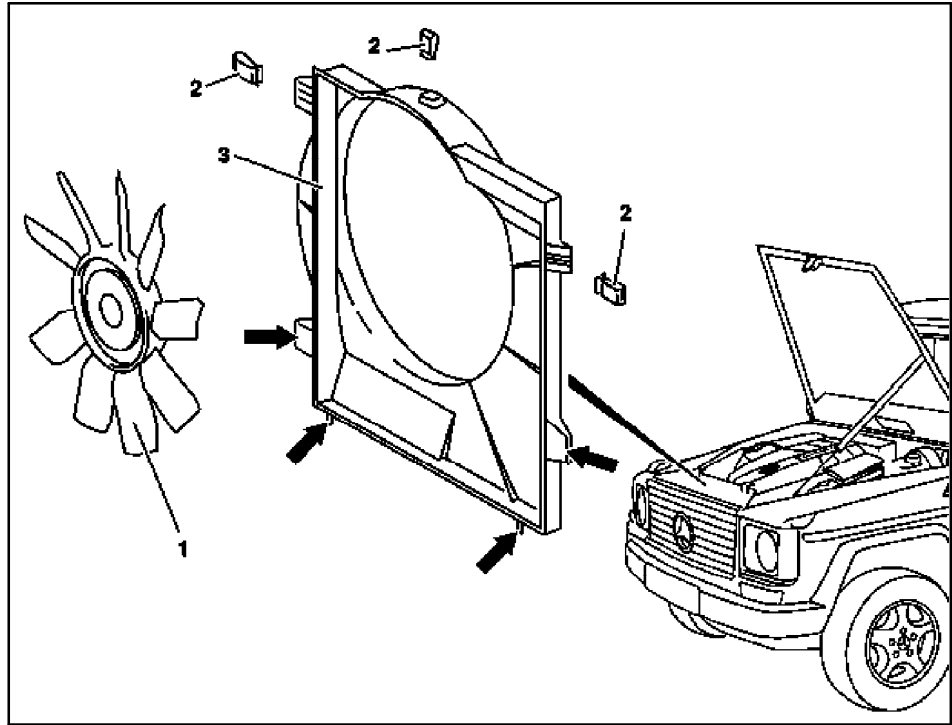


ENGINE 112.945 in MODEL 463.209 /232 /233 /244 /245 /250

ENGINE 113.962 in MODEL 463.206 /240 /241 /247 /248 /249 /254

ENGINE 113.982 in MODEL 463.243 /246

- 1 Viscous fan
- 2 Clamps
- 3 Fan shroud



P20.40-2011-06

Operation No. of operation texts or standard texts and flat rates

Range	Op. No.	Operation text
G	206800	REPLACE FAN SHROUD

Remove, Install		
1	Remove viscous fan (1)	i Right-hand thread!
2	Remove clamps (2)	
3	Remove the fan shroud (3).	i Installation: The retainer tabs (arrows) of the fan shroud must be seated below and at the side in the mounts of the radiator
4	Install in the reverse order	

AR20.40-P-5660C