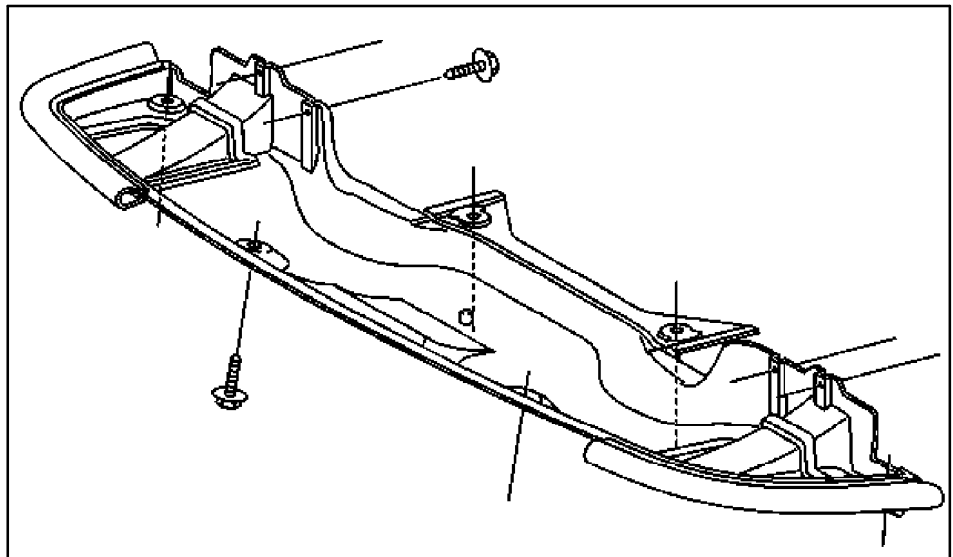


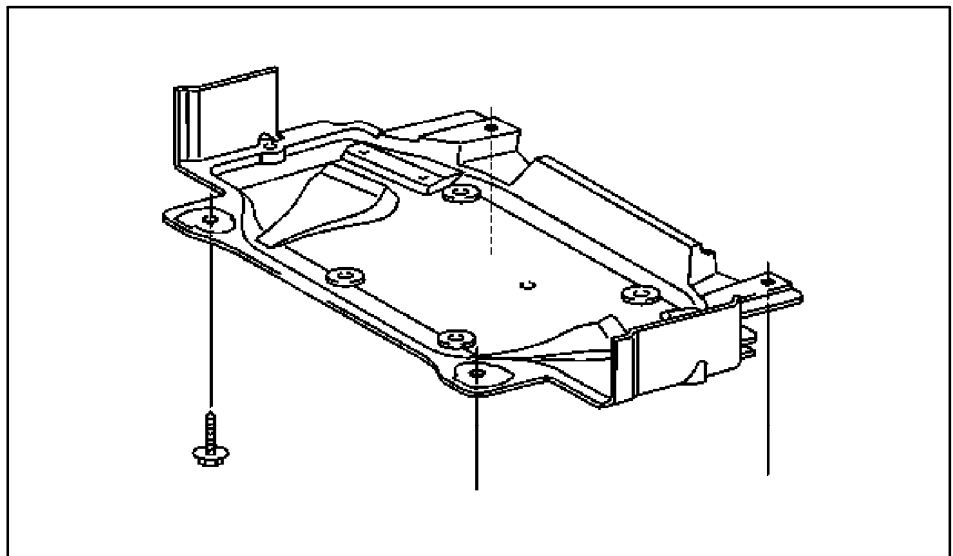
MODEL 210.00 /01 /02 /20 /21 /22 /60 /61

Front bottom section of soundproofing capsule



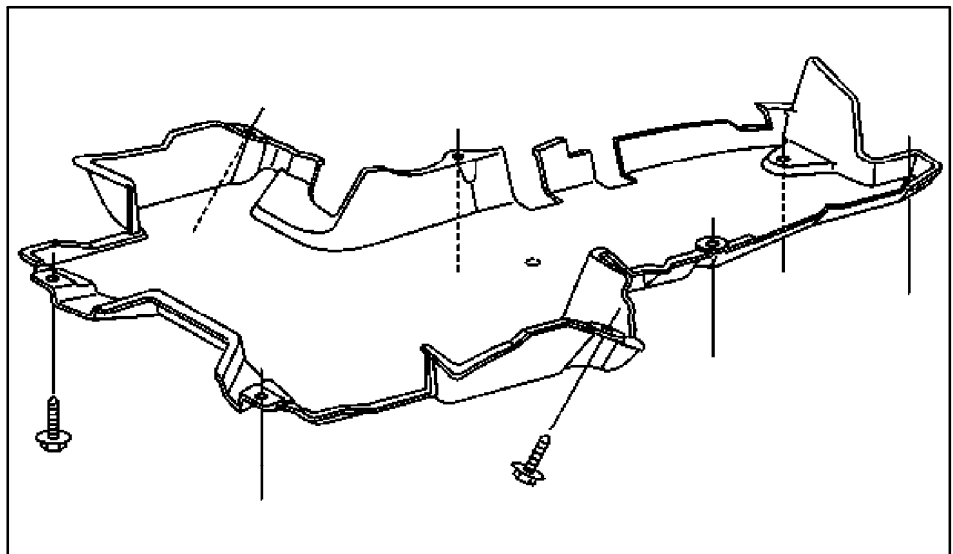
P61.20-0209-05

Center bottom section of soundproofing capsule



P61.20-0210-05

Rear bottom section soundproofing capsule






P61.20-0211-05

Operation no. of operation texts or of standard texts and flat rates

Division	Operation no.	Operation text

P	945305	REMOVING AND INSTALLING SOUNDPROOFING CAPSULE ELEMENTS (ALL) ON BOTTOM OF ENGINE
P	945310	REMOVING AND INSTALLING SOUNDPROOFING CAPSULE ELEMENT ON BOTTOM OF ENGINE AT FRONT
P	945350	REMOVING AND INSTALLING SOUNDPROOFING CAPSULE ELEMENT ON BOTTOM OF ENGINE AT REAR
P	945405	REPLACING SOUNDPROOFING CAPSULE (ALL) ON BOTTOM OF ENGINE
P	945410	REPLACING SOUNDPROOFING CAPSULE ELEMENT ON BOTTOM OF ENGINE AT FRONT
P	945450	REPLACING SOUNDPROOFING CAPSULE ELEMENT ON BOTTOM OF ENGINE AT REAR

	Removal		
1	Remove bottom sections of soundproofing capsule		
	Installation		
2	Install rear bottom section of soundproofing capsule		
3	Install front bottom section of soundproofing capsule	 Observe installation position!	AR94.30-P-5305-01AB
4	Install middle bottom section of soundproofing capsule		