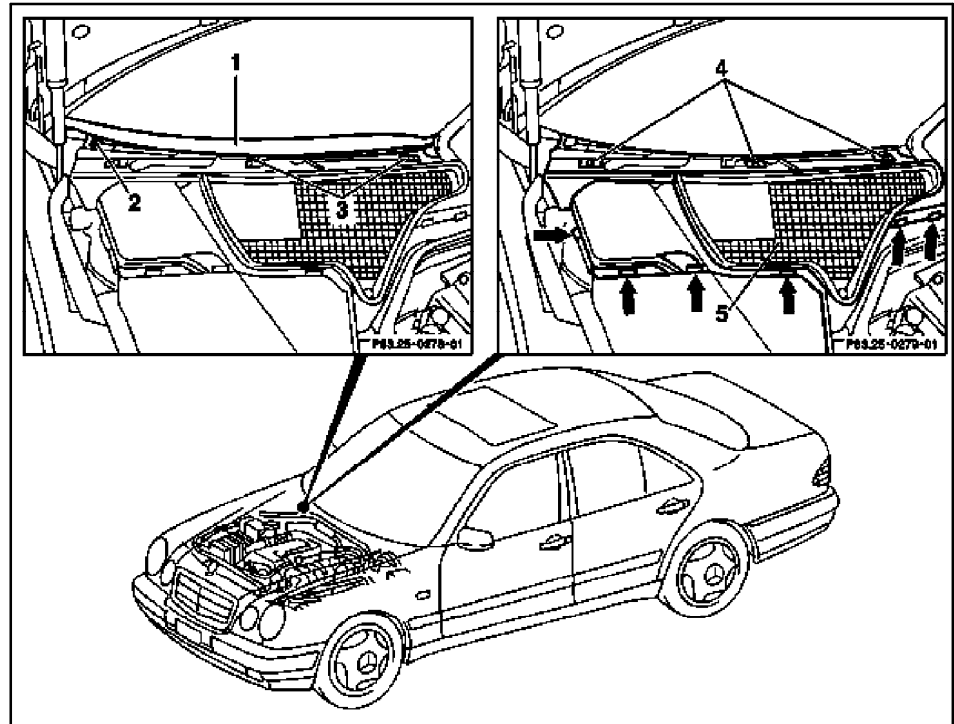


## MODEL 210

- 1 Cover
- 2 Screw
- 3 Catches
- 4 Screws
- 5 Air inlet



P83.25-0277-06

☒ ☒	Removal, installation		
1	Unscrew screw (2)		
2	Unclip catches (3) and remove cover (1) toward left		
3	Unscrew screws (4)		
4	Unclip catches (arrows) on air inlet (5)		
5	Reinstall in opposite order		