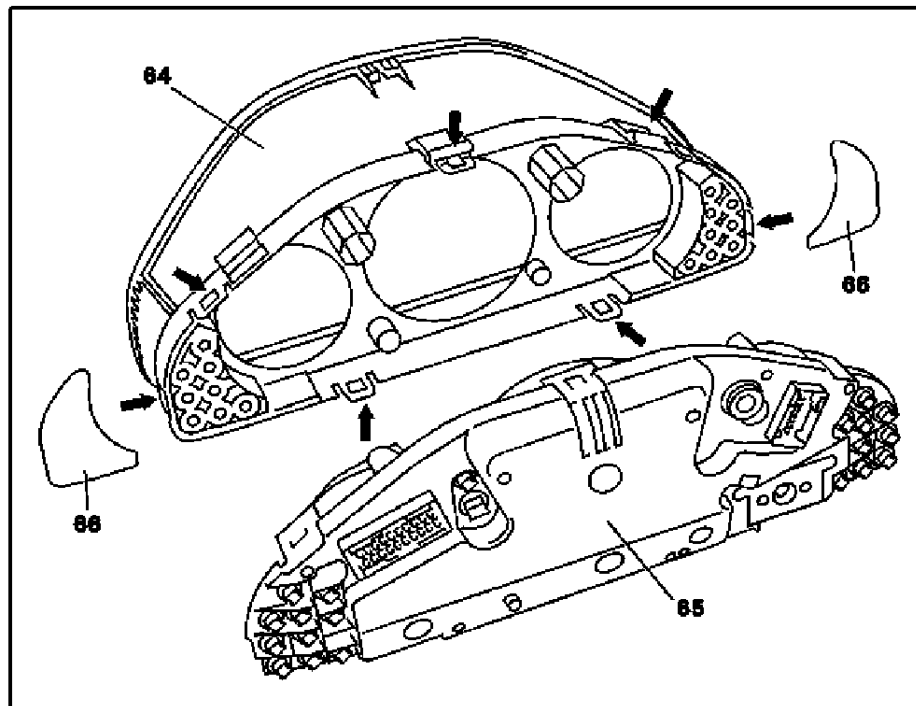


MODEL 202, 208, 210

Models 202, 210

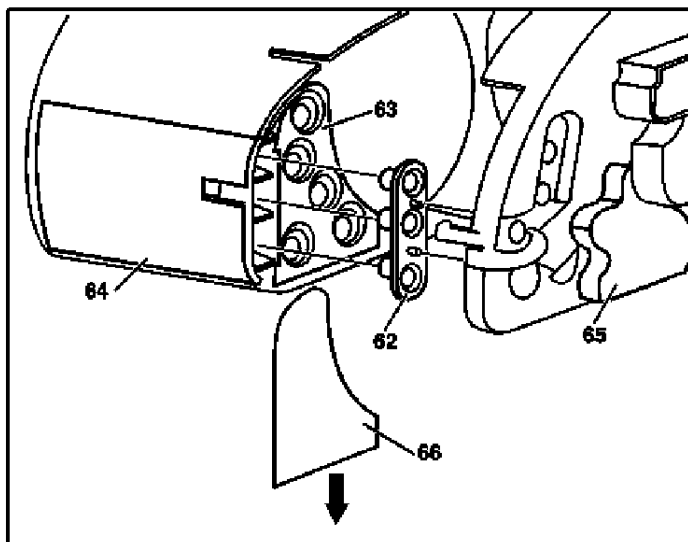
- 64 Housing
65 Electronic board with instruments
66 Symbol strips



P54.30-0008-06

Model 208

- 62 Rubber insert
63 Plastic insert
64 Housing
65 Electronic board with instruments
66 Symbol strips



P54.30-0647-11

	Removal, installation		
1	Disconnect ground lead from battery	ⓘ On model 210 insulate the ground lead with cable terminal to prevent unintentional contact between disconnected ground lead and ground point W10	AR54.10-P-0003A
2	Remove instrument cluster		AR54.30-P-6015EA
3	Unclip retaining lugs (arrows)	ⓘ Installation: Retaining lugs must catch completely	
4.1	Separate housing (64) from electronic board with instruments (65)	ⓘ Installation: On model 202 as of 08/95 ensure that reset knob for trip odometer and adjustment knob for electronic clock are properly positioned.	
4.2	Separate housing (64) from electronic board with instruments (65)	ⓘ Installation: On model 208 ensure correct seat of rubber inserts (62)	