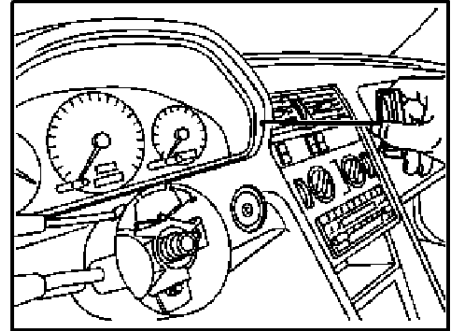


140 589 02 33 00

Extractor hooks

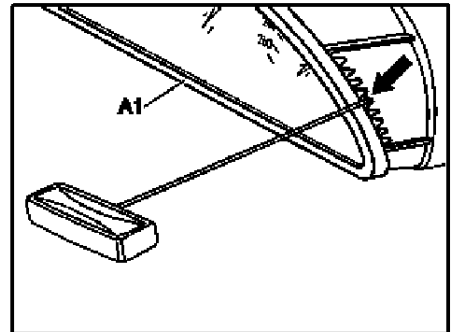
ⓘ Do not damage instrument panel when pulling out

Carefully insert extractor hooks about 8 cm with the curved end facing down at the side between instrument cluster panel and turn through 90° inwards toward instrument cluster.



P54.30-0014-01

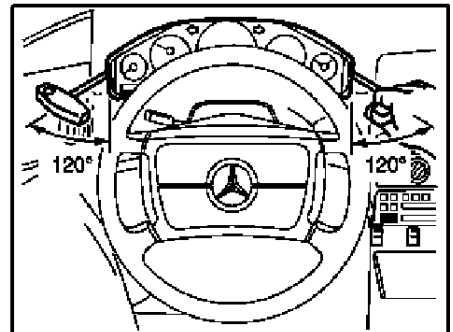
Carefully pull out extractor hooks until they engage in the extractor ribs of the instrument cluster (A1)



P54.30-0010-01

Pull out instrument cluster about 5 mm with the left-hand and right-hand hook alternately.

ⓘ When pulling, press the extractor hooks outwards at an angle of about 120° in order to prevent them slipping off. Never pull on both extractor hooks at the same time.



P54.30-0223-01