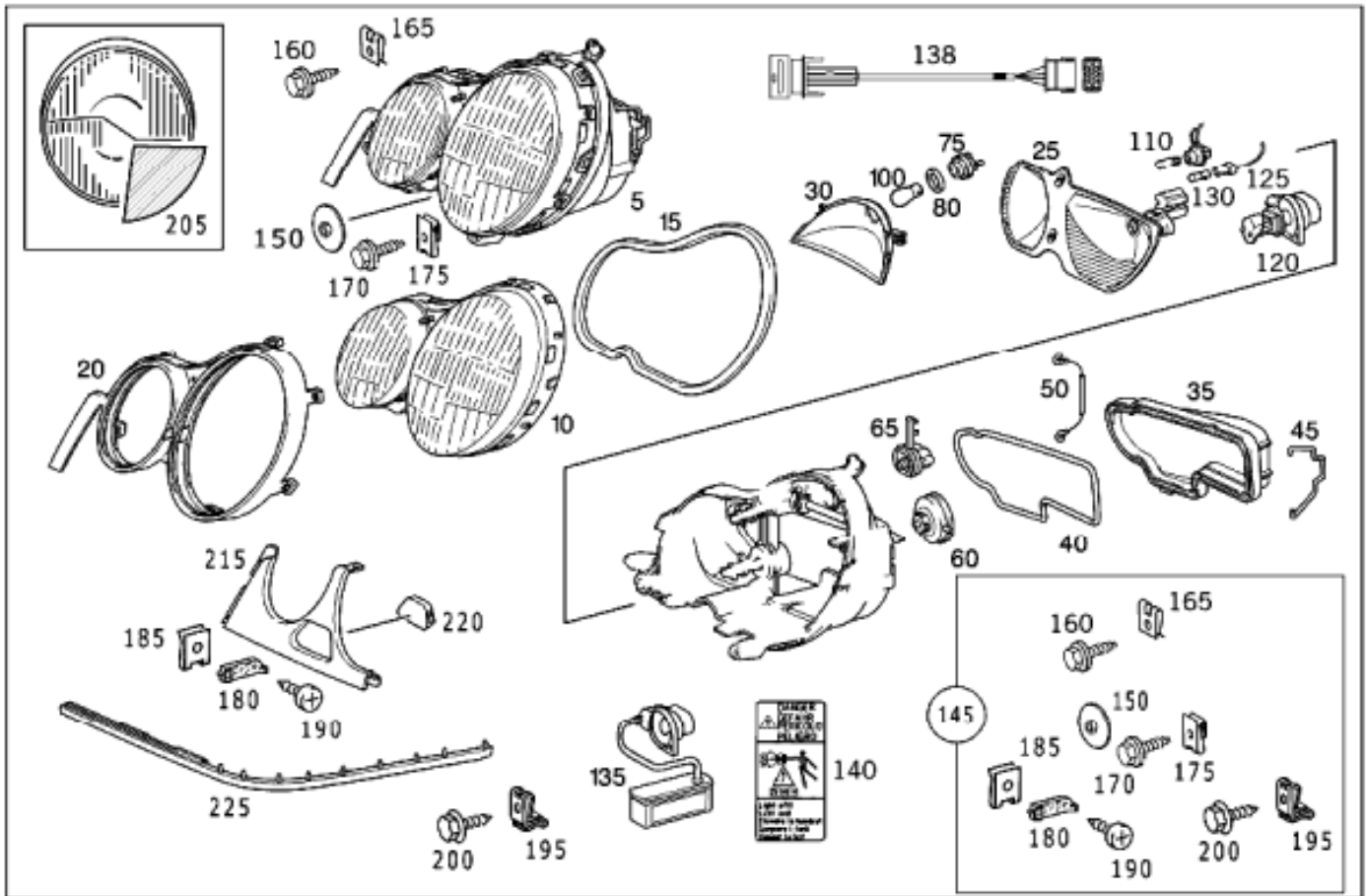
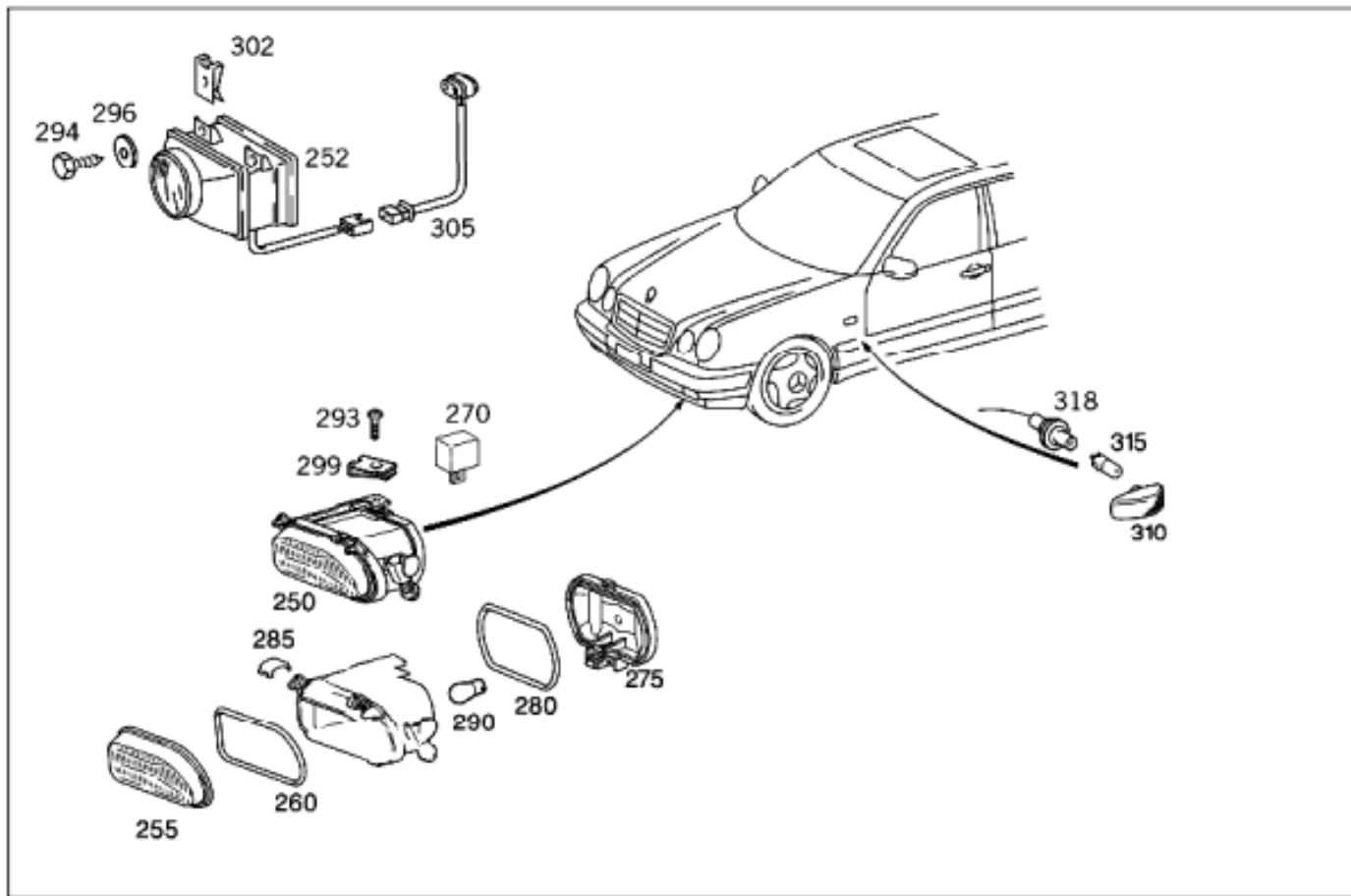


Îããëü / Ñëñðàìü / Óçãë: 82 ELECTRICAL SYSTEM

Îããëü=210065 Êàðàëíã=45P Ñëñðàìà: 82 ELECTRICAL SYSTEM

Ëëëðñðàððëý: 210 Óçãë: LIGHTING UNIT,FOGLAMP,AND ADDITIONAL BLINKER LAMP





¹	Έια	Çàíáíá	Ê-âí	Âàð-ò	Íáçàíεá	Èíðíðíàòèý	Ïðεíá-áíεý
005	2108200361		001		LIGHTING UNIT	LEFT,RIGHT-SIDE TRAFFIC	
005	A2108202161	2108203361	-		LIGHTING UNIT "XENON"		
005	2108203361		001		LIGHTING UNIT "XENON"	LEFT,RIGHT-SIDE TRAFFIC	
005	2108201161		001		LIGHTING UNIT	LEFT,LEFT-SIDE TRAFFIC	
005	A2108202361	2108204561	-		LIGHTING UNIT "XENON"		
005	2108204561		001		LIGHTING UNIT "XENON"	LEFT,LEFT-SIDE TRAFFIC	
005	2108200461		001		LIGHTING UNIT	RIGHT,RIGHT-SIDE TRAFFIC	
005	A2108202261	2108203461	-		LIGHTING UNIT "XENON"		
005	2108203461		001		LIGHTING UNIT "XENON"	RIGHT,RIGHT-SIDE TRAFFIC	
005	2108201261		001		LIGHTING UNIT	RIGHT,LEFT-SIDE TRAFFIC	
005	A2108202461	2108204661	-		LIGHTING UNIT "XENON"		
005	2108204661		001		LIGHTING UNIT "XENON"	RIGHT,LEFT-SIDE TRAFFIC	
010	2108200366		001		LENS	LEFT,RIGHT-SIDE TRAFFIC	
010	2108203766		001		LENS XENON	LEFT,RIGHT-SIDE TRAFFIC	

010	2108200566		001	LENS	LEFT,LEFT-SIDE TRAFFIC	
010	2108203966		001	LENS XENON	LEFT,LEFT-SIDE TRAFFIC	
010	2108200466		001	LENS	RIGHT,RIGHT-SIDE TRAFFIC	
010	2108203866		001	LENS XENON	RIGHT,RIGHT-SIDE TRAFFIC	
010	2108200666		001	LENS	RIGHT,LEFT-SIDE TRAFFIC	
010	2108204066		001	LENS XENON	RIGHT,LEFT-SIDE TRAFFIC	
015	2108260091		002	SEAL RING	LENS INSIDE	
020	2108261180		001	SEAL	LENS OUTSIDE LEFT	
020	2108261280		001	SEAL	LENS OUTSIDE RIGHT	
025	2108200128		001	REFLECTOR	LEFT,RIGHT-SIDE TRAFFIC	
025	2108201328		001	REFLECTOR XENON	LEFT,RIGHT-SIDE TRAFFIC	*022
025	2108202328		001	REFLECTOR XENON	LEFT,RIGHT-SIDE TRAFFIC	*023
025	2108200328		001	REFLECTOR	LEFT,LEFT-SIDE TRAFFIC	
025	2108201528		001	REFLECTOR XENON	LEFT,LEFT-SIDE TRAFFIC	*022
025	2108202028		001	REFLECTOR XENON	LEFT,LEFT-SIDE TRAFFIC	*023
025	2108200228		001	REFLECTOR	RIGHT,RIGHT-SIDE TRAFFIC	
025	2108201428		001	REFLECTOR XENON	RIGHT,RIGHT-SIDE TRAFFIC	*022
025	2108202428		001	REFLECTOR XENON	RIGHT,RIGHT-SIDE TRAFFIC	*023
025	2108200428		001	REFLECTOR	RIGHT,LEFT-SIDE TRAFFIC	
025	2108201628		001	REFLECTOR XENON	RIGHT,LEFT-SIDE TRAFFIC	*022
025	2108202128		001	REFLECTOR XENON	RIGHT,LEFT-SIDE TRAFFIC	*023
030	2108200728		001	REFLECTOR	LEFT BLINKER LAMP	
030	2108200828		001	REFLECTOR	RIGHT BLINKER LAMP	
035	2108200149		001	CAP	LEFT	
035	2108200249		001	CAP	RIGHT	
040	2108260191		002	SEAL RING	COVERING	
045	2108260084		002	SPRING	COVERING OUTSIDE	
050	2108260184		002	SPRING	COVERING INSIDE	
060	0008006875		002	ELEMENT	LIGHT RANGE ADJUSTER	
065	2108203042		002	ELECTRIC MOTOR	LIGHT RANGE ADJUSTER	
075	A0018260782	0018260382	-	LAMP SOCKET		
075	0018260382		002	LAMP SOCKET	BLINKER LAMP	
080	2108260391		002	SEAL RING	BLINKER LAMP	
100	A0015449194	400809000000	-	BULB		
100	400809000000		002	BULB	BLINKER LIGHT	12V 21W
110	400809000007		004	BULB	HIGH/LOW BEAM	H7L 12V 55W
110	400809000007		002	BULB	HIGH BEAM	H7L 12V 55W
120	910139000000		002	BURNER XENON	LOW BEAM	D2R 35W
125	A0018261782	2108260582	-	LAMP SOCKET		
125	2108260582		002	LAMP SOCKET	CLEARANCE LIGHT	*871
125	A0018261782	2108260582	-	LAMP SOCKET		

125	2108260582		002	LAMP SOCKET	CLEARANCE LIGHT	*409 *880
130	000000000172		002	BULB	CLEARANCE LIGHT	H6W 12V 6W
135	2108202426		002	CONTROL UNIT	HEADLAMP-XENON	*022
135	2108206326		002	CONTROL UNIT	HEADLAMP-XENON	*023
138	2105400233		002	ELECTRIC CABLE	ADAPTER LINE FOR LIGHTING UNIT	*024
138	2105400933		002	ELECTRIC CABLE	ADAPTER LINE FOR LIGHTING UNIT	*025
138	2105400833		002	ELECTRIC CABLE	ADAPTER LINE FOR LIGHTING UNIT	
140	1298172820		002	GUIDE SIGN	HEADLAMP-XENON	
145	2108260000		001	MOUNTING MATERIAL	LIGHTING UNIT MOUNTING MATERIAL, LEFT AND RIGHT	
150	2108200048		002	NUT	LIGHTING UNIT TO STIFFENING	
160	914007005008		002	COMBINATION BOLT	LIGHTING UNIT TO FRONT FENDER, TOP	
165	0039944245		002	LOCK	LIGHTING UNIT TO FRONT FENDER, TOP	
170	914031004231		002	COMBINATION BOLT	LIGHTING UNIT TO FRONT FENDER, BOTTOM	
175	0039942845		002	LOCK	LIGHTING UNIT TO FRONT FENDER, BOTTOM	
180	2108200914		002	BRACKET	LIGHTING UNIT TO FRONT FENDER	
185	0039942845		002	LOCK	BRACKET TO FENDER	
190	007982004271		002	SHEET METAL SCREW	BRACKET TO FENDER	
195	2109940045		004	LOCK	ORNAMENTAL COVER TO LIGHTING UNIT	
200	914031004230		004	COMBINATION BOLT	ORNAMENTAL COVER TO LIGHTING UNIT	
205	2108261177		001	FOIL	TOURIST SOLUTION WITH LEFT-HAND TRAFFIC	
205	2108261277		001	FOIL	TOURIST SOLUTION WITH RIGHT-HAND TRAFFIC	
205	2108261377		001	FOIL (XENON)	TOURIST SOLUTION WITH LEFT-HAND TRAFFIC	
205	2108261477		001	FOIL (XENON)	TOURIST SOLUTION WITH RIGHT-HAND TRAFFIC	
215	2108200112		001	COVERING	ORNAMENTAL COVER BELOW LIGHTING UNIT, LEFT	*420
215	2108200312		001	COVERING	ORNAMENTAL COVER BELOW LIGHTING UNIT, LEFT	*420
215	2108200212		001	COVERING	ORNAMENTAL COVER BELOW LIGHTING UNIT, RIGHT	*420
215	2108200412		001	COVERING	ORNAMENTAL COVER BELOW LIGHTING UNIT, RIGHT	*420

220	2108260977		001		ORNAMENTAL COVER	LEFT, HEADLAMP CLEANING DEVICE	*420
220	2108261077		001		ORNAMENTAL COVER	RIGHT, HEADLAMP CLEANING DEVICE	*420
225	2108261580		001		PART NAME MISSING	ORNAMENTAL COVER BELOW LIGHTING UNIT, LEFT	*409
225	2108261680		001		PART NAME MISSING	ORNAMENTAL COVER BELOW LIGHTING UNIT, RIGHT	*409
225	2108260580		001		PART NAME MISSING	ORNAMENTAL COVER BELOW LIGHTING UNIT, LEFT	*409
225	2108260680		001		PART NAME MISSING	ORNAMENTAL COVER BELOW LIGHTING UNIT, RIGHT	*409
250	2108200156		001		FOGLAMP	LEFT	
250	2108200256		001		FOGLAMP	RIGHT	
252	HWA2108200156	2088200356	-		FOGLAMP		
252	2088200356		001		FOGLAMP	LEFT	
252	HWA2108200256	2088200456	-		FOGLAMP		
252	2088200456		001		FOGLAMP	RIGHT	
255	2108260590		001		LENS	LEFT FOGLAMP	
255	2108260690		001		LENS	RIGHT FOGLAMP	
260	2108260491		002		SEAL RING	LENS	
270	2108260024		002		COVERING	VENT	
275	2108200049		002		CAP	FOGLAMP	
280	2108260291		002		SEAL RING	BOOT	
285	1408260284		006		SPRING	BOOT	
290	N072601012270	000000000268	-		BULB		
290	000000000268		002		BULB	FOGLAMP	H1-12V 55W
293	914031004206		002		COMBINATION BOLT	FOGLAMP TO BUMPER	
294	914031004306		006		COMBINATION BOLT	FOGLAMP TO BUMPER	
296	N009021005202	009021005205	-		WASHER		
296	009021005205		006		WASHER	FOGLAMP TO BUMPER	
299	0039942945		002		LOCK	FOGLAMP TO BUMPER	
302	0029948145		006		LOCK	FOGLAMP TO BUMPER	
305	WA2105400108		002		CABLE HARNESS	FOGLAMP	
310	2108200921		002		BLINKER LAMP	ADDITIONAL BLINKER LAMP	
315	A0025442694	072601012251	-		BULB		
315	072601012251		002		BULB	ORANGE; TO WHITE BLINKER LAMP	WY 5W
318	0005400966		002		SOCKET	ADDITIONAL BLINKER LAMP	

*022 UP TO DATE:

A 572000

X 006353

*023 FROM DATE:

A 572001

X 006354

*024 UP TO IDENT NO.: A 698992

*025 FROM IDENT NO.: A 698993

*409 TO BE ADAPTED DURING ASSEMBLY

*420 TO BE PAINTED PRIOR TO INSTALLATION

*871 UP TO DATE:

A 394035

EXCEPT CODE 808

ALSO INSTALLED IN VEHICLE FROM A 394036 WITH CODE 807

*880 FROM DATE:

A 394036

EXCEPT CODE 807

ALSO INSTALLED IN VEHICLE TO A 394035 WITH CODE 808

2108200108	ELECTRIC MOT	24400	19600	
210820010864	ELECTRIC MOT	24400	19600	
2108200110	"SWITCH,WINDO"	12400	10000	
2108200111	INFRA-RED RE	1200	975	
2108200112	"COVER,HEADLI"	3250	2600	
2108200144	WIPER ARM	6500	5200	
2108200145	"WIPER BLADE,"	975	800	
2108200149	"CAP,HLIGHT U"	2250	1800	
2108200151	FITTING MOLD	19900	16000	
2108200153	CIGAR LIGHTE	4100	3300	
2108200156	FOG LAMP	12400	10000	
210820015605	EXTERIOR LAM	8700	7000	
2108200164	TAIL LAMP	8200	6600	
2108200166	LENS 340	280		
2108200192	KNOB 450	360		
2108200211	INFRA-RED RE	1250	1000	
2108200212	"COVER,HEADLI"	3250	2600	
2108200249	CAP 2250	1800		
210820024905	CAP 1950	1600		
2108200256	FOG LAMP	12400	10000	
2108200264	TAIL LAMP	8500	6800	
2108200266	LENS 340	280		
2108200282	CONSOLE	1200	975	
2108200287	ADAPTER	3250	2600	
2108200289	PARASITIC ST	2850	2300	
2108200292	KNOB 675	550		
2108200298	HEATING PAD	12000	9600	
21082003017D05	INTERIOR LAM	11400	9200	
21082003018G13	INTERIOR LAM	8900	7200	
2108200302	LOUD SPEAKER	7400	6000	
2108200312	"COVER,HEADLI"	4250	3400	
2108200344	WIPER ARM	2600	2100	
2108200356	FOG LAMP	1750	1400	
2108200361	HEADLIGHT GR	39400	31600	
2108200369	CABLE CONDUI	1700	1400	
2108200389	RADIO ACCESS	44400	35600	
210820038990	RADIO ACCESS	34800	28800	
2108200412	"COVER,HEADLI"	4250	3400	