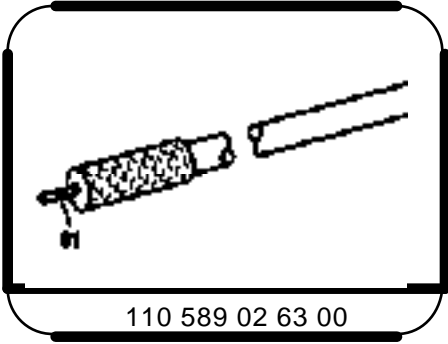
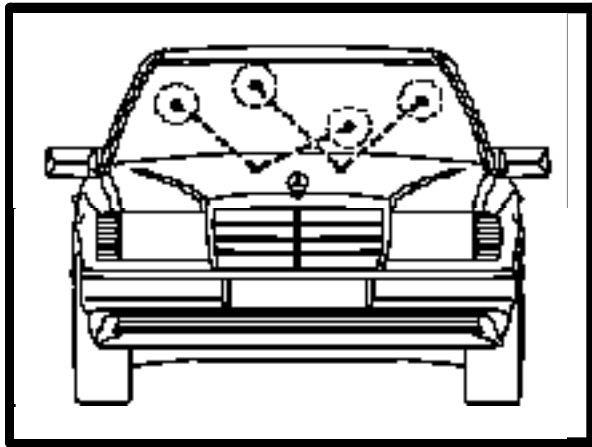


AP82.35-P-8252-01BA	Check setting of windshield washer system spray nozzles		
---------------------	---	--	--



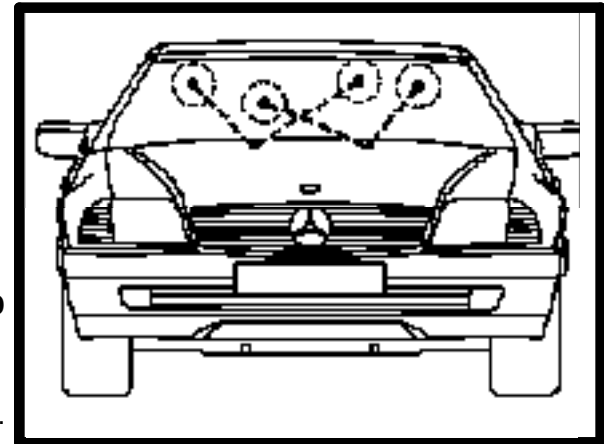
Adjusting tool



P82.35-2023-01

MODEL 124

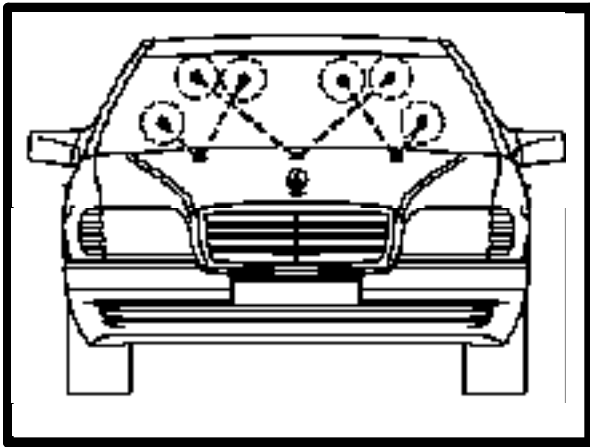
i The spray jet must hit the glass surface in the marked area.



P82.35-2020-01

MODEL 129

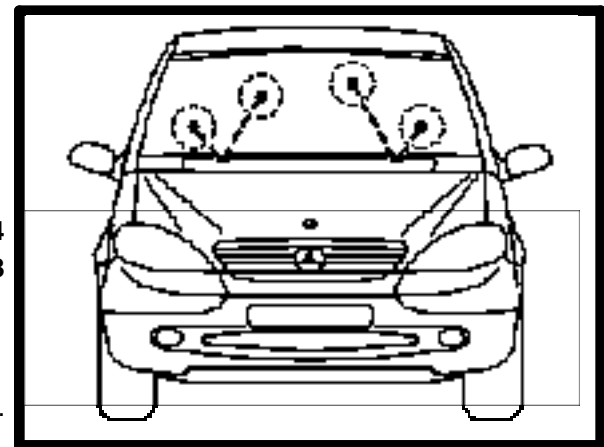
i The spray jet should hit the glass surface in the marked area.



Model 140

- i The spray jet must hit the glass surface in the marked area.

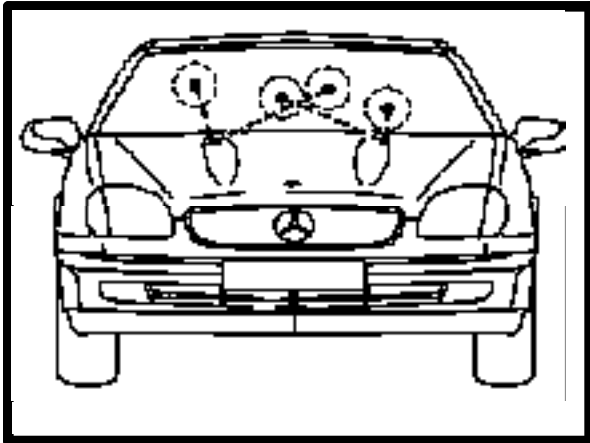
P82.35-2019-01



**Model 168, 414
shown on model 168**

- i The spray jet should hit the glass surface in the marked area.

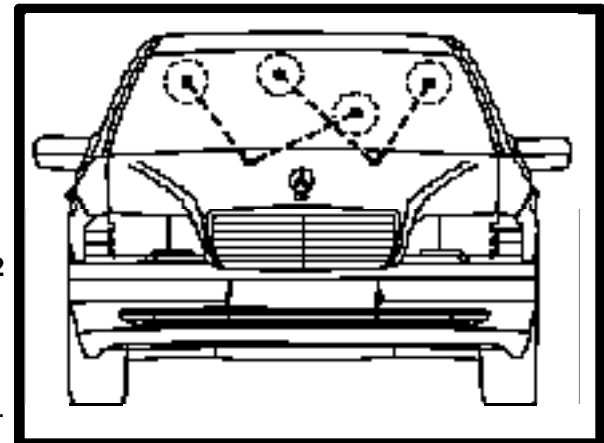
P82.35-2021-01



MODEL 170

- i The spray jet must hit the glass surface in the marked area.

P82.35-2022-01



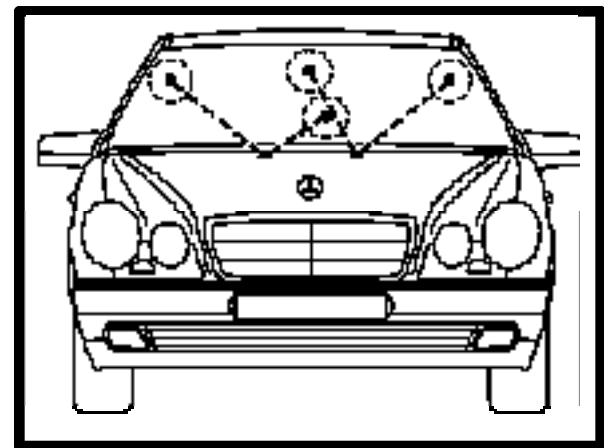
MODEL 202

- i The spray jet should hit the glass surface in the marked area.

P82.35-2026-01

- 1 Correct windshield washer system spray nozzle settings if necessary using | adjusting pin.
 - i The spray jet must hit the windshield in the marked area.

Models 208, 210, shown on model 210



P82.35-2024-01