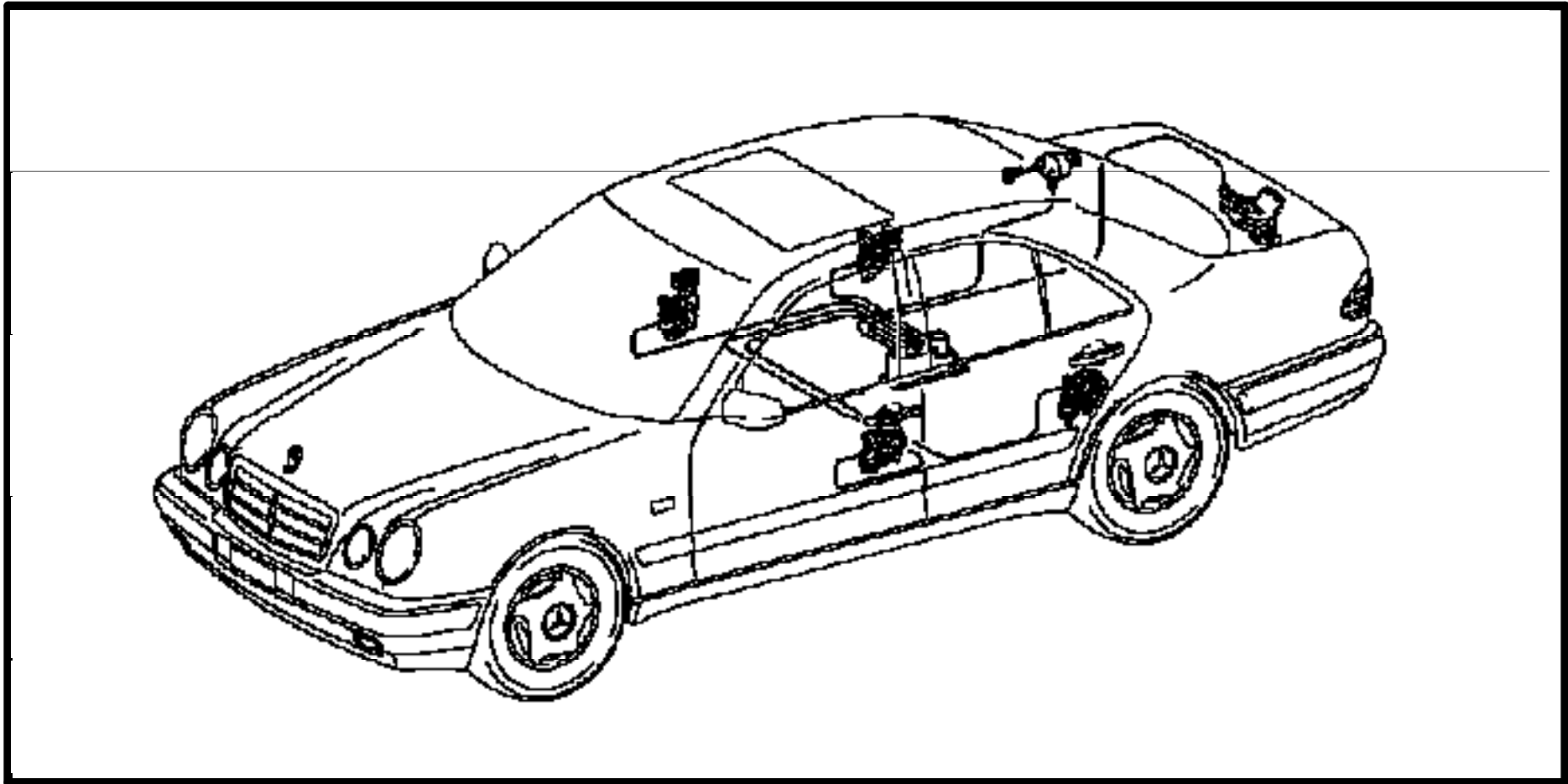
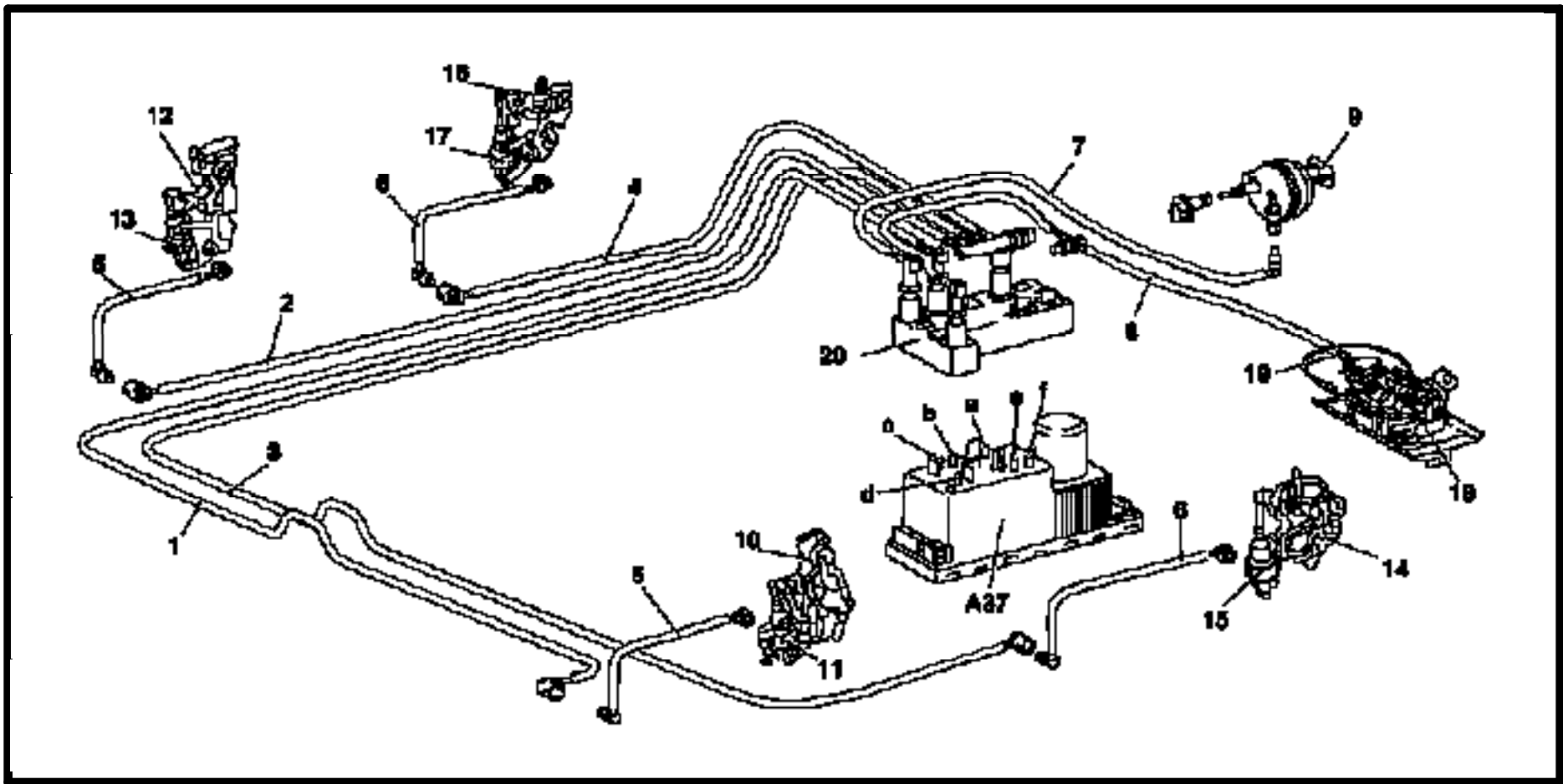


GF80.20-P-0005-04D	Central locking (CL), location of pneumatic components		
--------------------	--	--	--



P80.20-0499-09



P80.20-0500-09

A37	PSE control module (combined)	2	Pneumatic line, CL front passenger door frame-floor system	9	Fuel tank flap actuator
a	Pneumatic connector, front passenger's door/rear	3	Pneumatic line, CL rear left door frame-floor system	10	Driver's door lock
b	Pneumatic connector, driver's door	4	Pneumatic line, CL rear right door frame-floor system	11	Driver's door CL actuator
c	Pneumatic connector, fuel tank	5	Pneumatic line, front doors	12	Front passenger door lock
d	Pneumatic connector, remote trunk release/retractable rear head restraints	6	Pneumatic line, rear doors	13	Front passenger door CL actuator
e	Pneumatic connector, multi-contour seat	7	Pneumatic line, CL fuel tank flap frame-floor system	14	Left rear door lock
f	Pneumatic connector, manifold vacuum assist	8	Pneumatic line, CL remote trunk release frame-floor system	15	Left rear door CL actuator
1	Pneumatic line, CL driver's door frame-floor system			16	Right rear door lock
				17	Right rear door CL actuator
				18	Trunk lid lock
				19	Pneumatic actuator, remote trunk release
				20	Module plug

