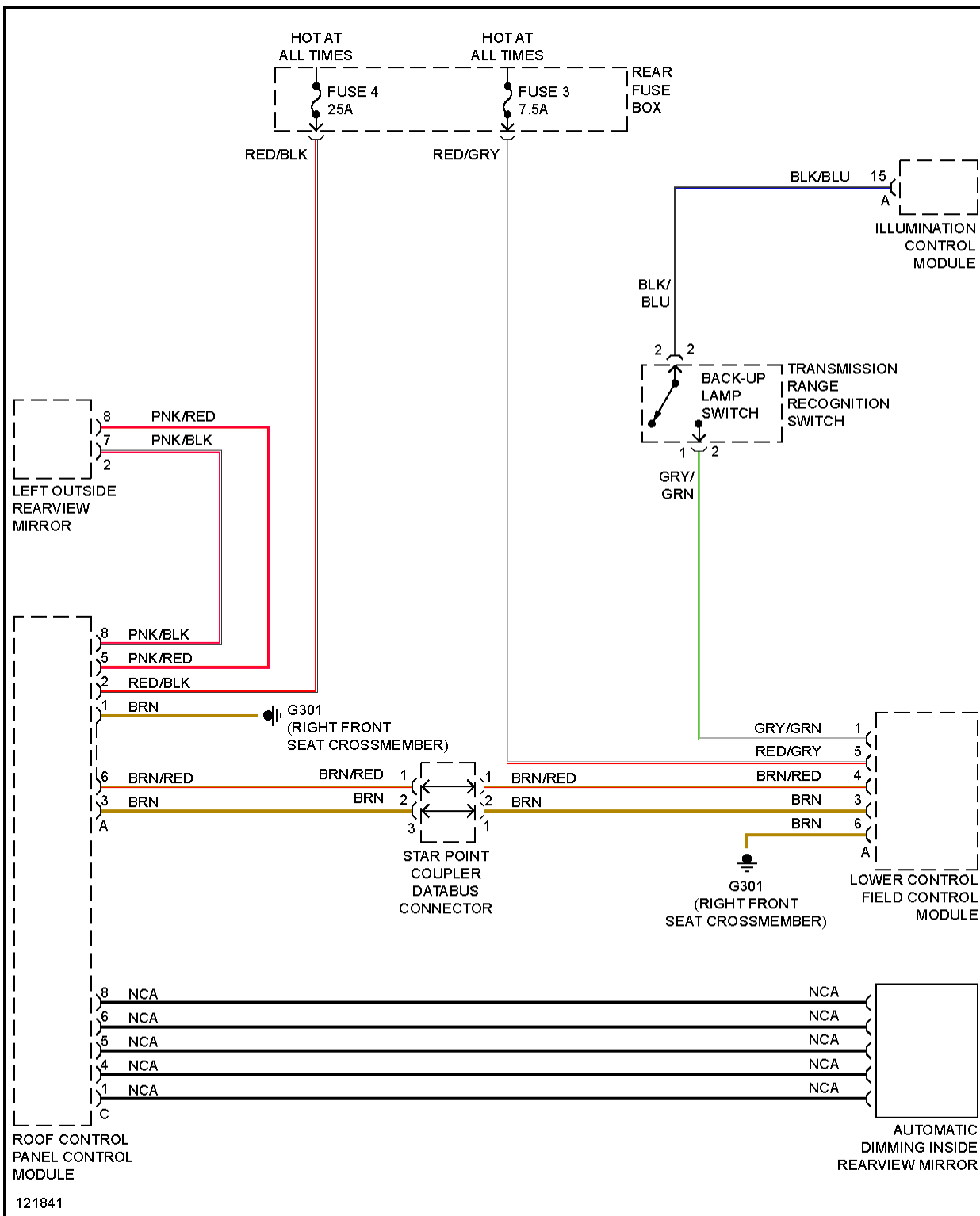


1998 Mercedes-Benz E430

SYSTEM WIRING DIAGRAMS

Fig. 34: Automatic Day/Night Mirror Circuit



121841

1998 Mercedes-Benz E430

SYSTEM WIRING DIAGRAMS

Fig. 27: Memory Mirrors Circuit

