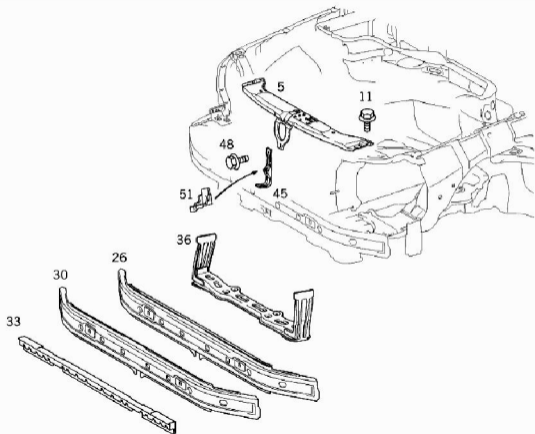
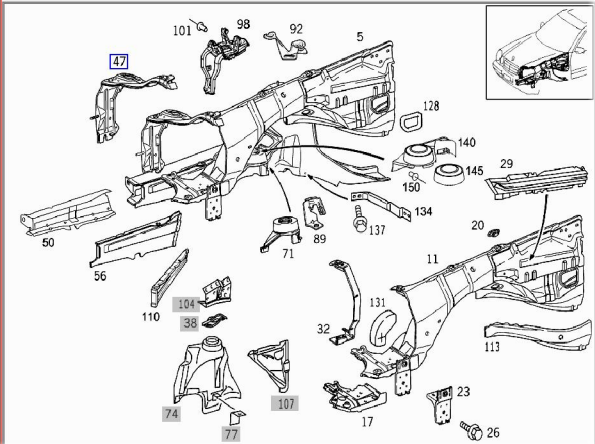


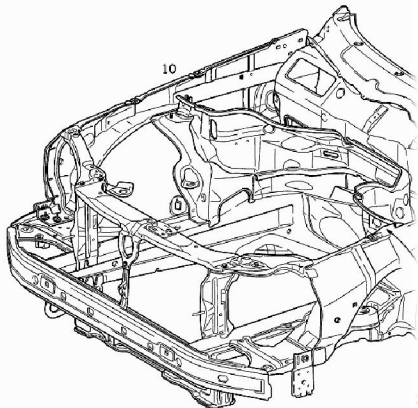
✓	Item...	Part number	Designation/description
<input type="checkbox"/>	5	A 210 620 01 72	<b>STIFFENING</b> FRONT CENTRAL
<input type="checkbox"/>	11	N 910105 006002	<b>HEXAGON HEAD BOLT</b> STIFFENING TO FRAME
<input type="checkbox"/>	26	A 210 620 49 86	<b>SUPPORT</b> FRONT CROSS MEMBER
<input type="checkbox"/>	30	A 210 620 13 67	<b>- COVERING</b> <input type="checkbox"/> Replaced by: A 210 620 36 86 <input type="checkbox"/> <a href="#">0251 FIRST EXHAUST STOCK OF</a>
<input type="checkbox"/>	30	A 210 620 17 67	<b>- COVERING</b> FRONT CROSS MEMBER <input type="checkbox"/> <a href="#">0291 As of ident. no.</a>
<input type="checkbox"/>	33	A 210 628 31 16	<b>REINFORCEMENT</b> FRONT CROSS MEMBER ONLY FOR USA / CANADA <input checked="" type="checkbox"/> <b>Note</b>
<input type="checkbox"/>	36	A 210 620 24 86	<b>SUPPORT</b> RADIATOR SUPPORT
<input type="checkbox"/>	45	A 210 620 13 85	<b>STRUT</b> BETWEEN STIFFENING AND CROSS MEMBER
<input type="checkbox"/>	48	N 910105 006002	<b>HEXAGON HEAD BOLT</b> STRUT TO STIFFENING,FRONT CENTRAL
<input type="checkbox"/>	48	N 910105 006002	<b>HEXAGON HEAD BOLT</b> STRUT TO FRONT CROSS MEMBER
<input type="checkbox"/>	51	A 210 626 42 14	<b>BRACKET</b> STOP BUFFER



Item...	Part number	Designation/Description
<input type="checkbox"/>	47	A 210 620 09 72
		• STIFFENING LEFT FRONT LIGHTING UNIT
<input type="checkbox"/>	47	A 210 620 10 72
		• STIFFENING RIGHT FRONT LIGHTING UNIT

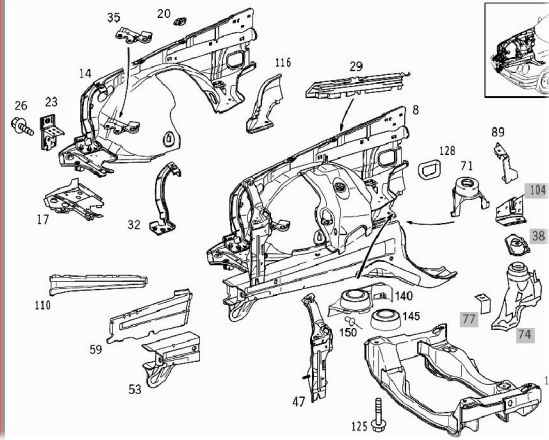


✓	Item ...	Part number	Designation/description	Quantity	Version
<input type="checkbox"/>	10	A 210 620 44 05	<b>COWL</b> <input type="checkbox"/> Replaced by: A 210 620 45 05 <input type="checkbox"/> <a href="#">[007] ORDER ADDITIONALLY FOR USE W</a>	-	
<input type="checkbox"/>	10	A 210 620 33 05	<b>COWL</b> <input type="checkbox"/> Replaced by: A 210 620 36 05 +001 A 210 620 41 86 <input type="checkbox"/> <a href="#">[007, 023, 034] ORDER ADDITIONALLY F</a>	-	
<input type="checkbox"/>	10	A 210 620 47 05	<b>COWL</b> WITH FIRE WALL <input type="checkbox"/> <a href="#">[007] ORDER ADDITIONALLY FOR USE W</a>	001	
<input type="checkbox"/>	20	A 210 620 90 14	<b>BRACKET</b> POSITION SENSOR AT PARTITION PANEL	001	L

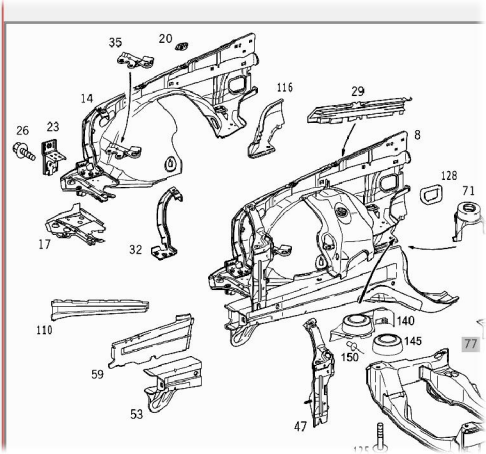




✓	Item ...	Part number	Designation/description	Quantity	Version
<input type="checkbox"/>	5	A 210 620 67 61	<b>WHEELHOUSE LEFT</b>	001	
<input type="checkbox"/>	8	A 210 620 68 61	<b>WHEELHOUSE RIGHT</b>	001	
<input type="checkbox"/>	11	A 210 620 39 61	• <b>WHEELHOUSE LEFT</b>	001	
<input type="checkbox"/>	14	A 210 620 42 61	• <b>WHEELHOUSE RIGHT</b>	001	
			<a href="#">[018] As of ident. no.</a>		
<input type="checkbox"/>	17	A 210 626 05 75	•• <b>WELDING PIECE AT LEFT FRONT WHEELHOUSE</b>	001	
			<a href="#">[881] Up to ident. no.:</a>		
<input type="checkbox"/>	17	A 210 626 09 75	•• <b>WELDING PIECE AT LEFT FRONT WHEELHOUSE</b>	001	
			<a href="#">[890] As of ident. no.</a>		
<input type="checkbox"/>	17	A 210 620 02 33	•• <b>END PIECE AT FRONT RIGHT WHEELHOUSE</b>	001	
			<a href="#">[881] Up to ident. no.:</a>		
<input type="checkbox"/>	17	A 210 620 08 33	•• <b>WELDING PIECE AT FRONT RIGHT WHEELHOUSE</b>	001	
			<a href="#">[890] As of ident. no.</a>		
<input type="checkbox"/>	20	A 129 626 00 11	•• <b>PLATE FRONT FENDER TO WHEELHOUSE</b>	008	
<input type="checkbox"/>	23	A 210 626 30 14	•• <b>BRACKET FENDER AND BUMPER</b>	002	
<input type="checkbox"/>	26	A 202 990 03 17	•• <b>SCREW FENDER AND BUMPER</b>	004	
<input type="checkbox"/>	29	A 210 626 01 42	•• <b>RAIL LEFT, AT WHEELHOUSE</b>	001	
			<a href="#">[018] As of ident. no.</a>		
<input type="checkbox"/>	29	A 210 626 02 42	•• <b>RAIL RIGHT, AT WHEELHOUSE</b>	001	
			<a href="#">[018] As of ident. no.</a>		
<input type="checkbox"/>	32	A 210 620 15 72	•• <b>STIFFENING FRONT FENDER TO LEFT FRONT WHEELHOUSE</b>	001	
<input type="checkbox"/>	32	A 210 620 16 72	•• <b>STIFFENING FRONT FENDER TO RIGHT FRONT WHEELHOUSE</b>	001	



✓	Item ...	Part number	Designation/description	Quantity	Version
<input type="checkbox"/>	32	A 210 620 15 72	•• <b>STIFFENING</b> FRONT FENDER TO LEFT FRONT WHEELHOUSE	001	
<input type="checkbox"/>	32	A 210 620 16 72	•• <b>STIFFENING</b> FRONT FENDER TO RIGHT FRONT WHEELHOUSE	001	
<input type="checkbox"/>	35	A 210 626 14 14	•• <b>BRACKET</b> COOLING WATER EXPANSION TANK	001	
<input type="checkbox"/>	47	A 210 620 09 72	• <b>STIFFENING</b> LEFT FRONT LIGHTING UNIT	001	
<input type="checkbox"/>	47	A 210 620 10 72	• <b>STIFFENING</b> RIGHT FRONT LIGHTING UNIT	001	
<input type="checkbox"/>	50 ⊕	A 210 620 17 34	• <b>SUPPORT</b> FRONT LEFT	001	
<input type="checkbox"/>	53 ⊕	A 210 620 18 34	• <b>SUPPORT</b> FRONT RIGHT	001	
<input type="checkbox"/>	-----	A 210 626 13 30	• <b>COVERING</b> <input type="checkbox"/> Replaced by: A 210 620 15 67	-	
<input type="checkbox"/>	56	A 210 620 15 67	• <b>COVERING</b> SIDE MEMBER,LEFT	001	
<input type="checkbox"/>	-----	A 210 626 14 30	• <b>COVERING</b> <input type="checkbox"/> Replaced by: A 210 620 16 67	-	
<input type="checkbox"/>	59	A 210 620 16 67	• <b>COVERING</b> SIDE MEMBER,RIGHT	001	
<input type="checkbox"/>	71	A 210 626 01 19	• <b>BRACING</b> FRONT SPRING	002	
<input type="checkbox"/>	89	A 210 626 45 14	• <b>BRACKET</b> LEFT BRAKE HOSE	001	
<input type="checkbox"/>	89	A 210 626 46 14	• <b>BRACKET</b> RIGHT BRAKE HOSE	001	
<input type="checkbox"/>	92	A 210 620 65 14	• <b>BRACKET</b> SET POINT SENDER UNIT TO WHEELHOUSE	001	
<input type="checkbox"/>	98	A 210 620 66 14	<b>BRACKET</b> HYDRAULIC UNIT TO LEFT FRONT WHEELHOUSE ABS,ETS/ASR	001	



✓	Item ...	Part number	Designation/description	Quantity	Version
			<a href="#">1011_4621 Up to ident. no.:</a>		
<input type="checkbox"/>	98	A 210 626 63 14	<b>BRACKET</b> HYDRAULIC UNIT TO LEFT FRONT WHEELHOUSE ABS/ETS/ASR	001	
			<a href="#">1012_4621 As of ident. no.</a>		
<input type="checkbox"/>	101	A 002 990 37 97	<b>RIVET</b> HYDRAULIC UNIT BRACKET TO LEFT WHEELHOUSE	003	
<input type="checkbox"/>	110	A 210 620 09 16	<b>REINFORCEMENT</b> AT LEFT FRONT WHEELHOUSE	001	
<input type="checkbox"/>	110	A 210 626 36 16	<b>REINFORCEMENT</b> AT FRONT RIGHT WHEELHOUSE ONLY FOR USA	001	
<input type="checkbox"/>	113	A 210 622 17 04	<b>SUPPORT</b> OUTSIDE LEFT	001	
<input type="checkbox"/>	116	A 210 622 16 04	<b>SUPPORT</b> OUTSIDE RIGHT	001	
<input type="checkbox"/>	----	A 210 620 03 87	<b>SUPPORT</b> <input type="checkbox"/> Replaced by: A 210 620 17 87 <a href="#">1013_014 IF REQUIRED, ORDER NEW</a>	-	
<input type="checkbox"/>	----	A 210 620 17 87	<b>SUPPORT</b> <input type="checkbox"/> Replaced by: A 210 620 18 87 <a href="#">1010 FIRST EXHAUST STOCK OF OLD PA</a>	-	
<input type="checkbox"/>	122	A 210 620 18 87	<b>SUPPORT</b> FRONT AXLE	001	
<input type="checkbox"/>	----	A 210 984 00 29	<b>SCREW</b> <input type="checkbox"/> Replaced by: A 168 984 04 29 <a href="#">1015 FIRST EXHAUST STOCK OF OLD PA</a>	-	
<input type="checkbox"/>	125	A 168 984 04 29	<b>SCREW</b> FRONT SUBFRAME TO SIDE MEMBER M 12 X 1,5 X 42	004	
<input type="checkbox"/>	128	A 210 628 01 45	<b>COVER</b> AT LEFT FRONT WHEELHOUSE	001	
<input type="checkbox"/>	128	A 210 628 02 45	<b>COVER</b> AT FRONT RIGHT WHEELHOUSE	001	
<input type="checkbox"/>	131	A 210 881 00 98	<b>SEAL</b> FRONT WHEELHOUSE	002	
<input type="checkbox"/>	134	A 210 628 25 24	<b>STRUT</b>	001	L

