

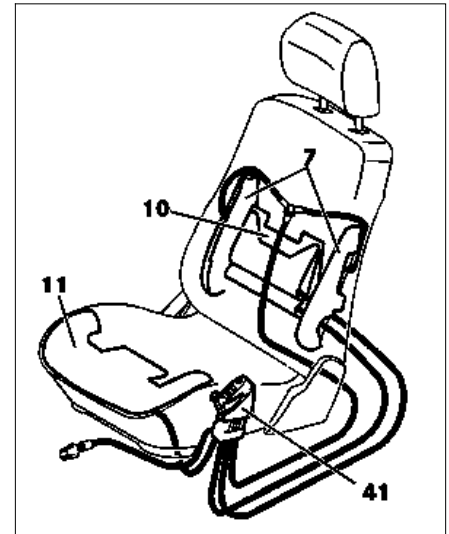
## MODEL 210.0 (except 210.072)



The multi-contour seat control valve (41) allows the backrest contour to be adjusted to meet the driver's specific requirements by means of two backrest arch air chambers (10) and two side retention air chambers (7).




Moreover, another air chamber (11) allows the length of the seat cushion to be changed in the front area of the seat cushion.

- 7 Side retention air chambers
- 10 Backrest arch air chambers
- 11 Air chamber
- 41 Multi-contour seat control valve



P91.25-0254-15

	Removal		
1	Remove door sill moldings on right front and rear doors		
2	Remove left front seat	<p> When installing right multi-contour seat it is not necessary to remove the left front seat.</p> <p> <b>Installation:</b> Connect pneumatic lines to connector strip (left multi-contour seat).</p> <p> Ensure that the connection line is not kinked or bent when the seat is adjusted.</p>	AR91.10-P-1000F
3	Remove right front seat	<p> <b>Installation:</b> Connect pneumatic lines to connector strip (right multi-contour seat).</p> <p> Ensure that the connection line is not kinked or bent when the seat is adjusted.</p>	AR91.10-P-1000F
4	Remove rear seat and rear seat backrest		AR91.12-P-1700F
5	Disconnect ground lead from battery		AR54.10-P-0003A
6	Remove center console	<p> When installing right multi-contour seat it is not necessary to remove the center console.</p>	AR68.20-P-2000F
7	Remove air duct for rear ventilation below center console		
8	Disconnect edge protector in lower area of right B-pillar		
9	Remove lower B-pillar paneling on right		
10	Remove left and right footwell vents		
11	Fold carpeting back below front seat on left and right		
12	Remove air duct below right front seat		
13	Open wiring ducts covers below door sill moldings on right		
14	Open wiring duct covers below left and right front seats		
15	Open wiring duct covers below center console		
16	Remove front seat backrest cover and replace	<p> On seats with textile coverings only lift covering on side away from rubberized fiber matting. Do not open mounting clips on upholstery wires.</p> <p> On leather seats.</p>	AR91.18-P-1820F
17	Remove front seat cushion cover and replace	<p> When installing use new cover with seat cushion length adjustment.</p>	AR91.18-P-1800F
	Installation		

18	Retrofit driver's backrest air cushion		AN91.25-P-0001-01A
19	Prepare air cushion for seat cushion length adjustment		AN91.25-P-0001-02A
20	Mount seat cushion on cushion frame		AR91.18-P-1800F
21	Install seat cushion length adjustment air cushion		AN91.25-P-0001-03A *WH58.30-Z-1001-29A
22	Retrofit control valve on front seat		AN91.25-P-0001-04A
23	Fabricate pneumatic lines		AN91.25-P-0001-05A
24	Retrofit vacuum supply reservoir and pneumatic lines		AN91.25-P-0001-06A
25	Replace pneumatic control module		AN91.25-P-0001-07A
26	Install in opposite order	 Steps 17 - 1.	
27	Check for proper function	 See Diagnosis Manual, Body, Volume 1, Index 3.3, MCS.	

#### Commercially available tools

Number	Designation
WH58.30-Z-1001-29A	Lever riveting device

#### Parts ordering notes

Parts microfiche, group or SA	Designation	Quantity
99	Multi-contour seat set	
91	Multi-contour backrest cover (Only order for leather seats according to special equipment and equipment color)	
91	Seat cushion cover with seat cushion length adjustment (Order according to special equipment present and equipment color)	

**MODEL 210 as of 1.9.98**

As of 9/98, when replacing seat covers ensure that modified seat covers are fitted. With previous versions the upholstery filling is stuffed into pockets in middle area of seat cover and stuck to seat matting in side area. Owing to a technical development, on the new version upholstery filling is sewn directly to seat cover across the whole width. Sticking upholstery filling to seat matting in side area therefore no longer applies.

Modification of seat covers affects all model 210 vehicles with Elegance and Avantgarde equipment lines, material and leather versions.

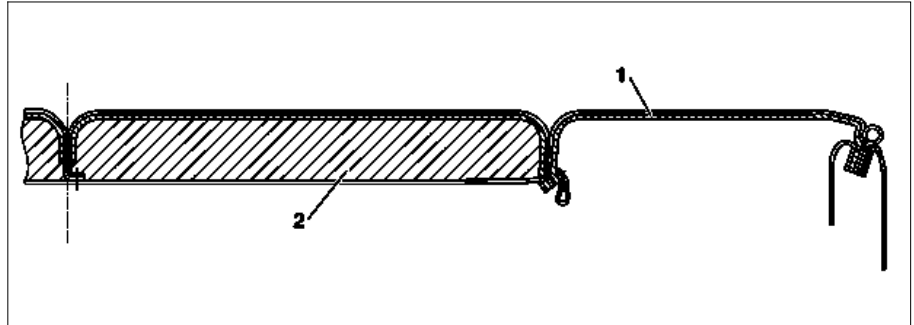
Not affected are all rear seat cushions with optional extra ICS (Integrated Child Seat) on Limousine and T-model, as well as third rear seat row of T-model.

**Note:**  
In future, previous seat covers (1) and matting (4, 5 and 6) will not be available as replacement parts.

**Seat cover: previous version (cross section)**

- 1 Seat cover
- 2 Filling

With this version filling is stuffed in pockets.  
No filling is available in side area

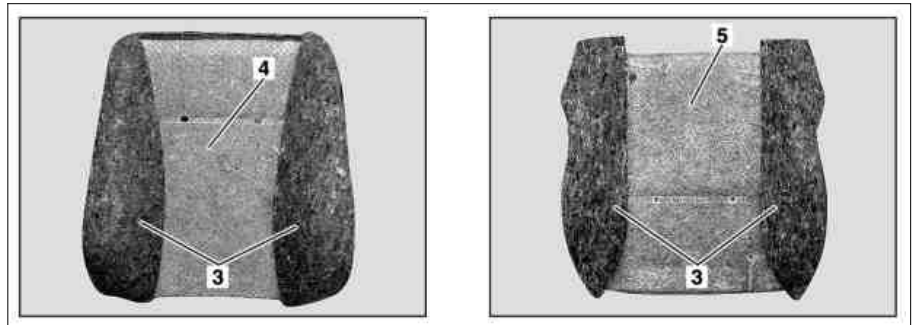


P91.18-2016-04

**Matting: previous version**

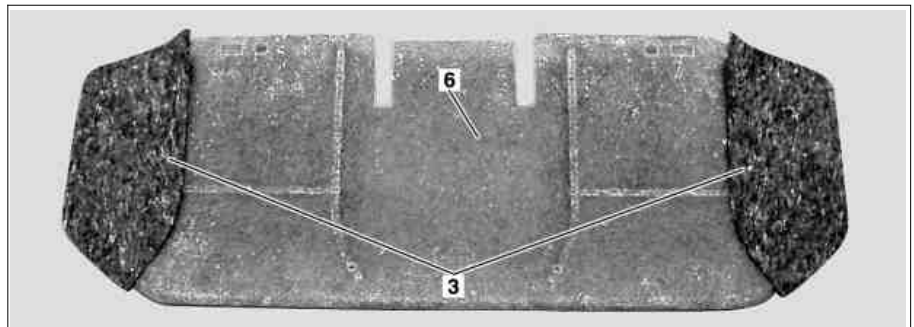
- 3 Side filling
- 4 Front seat backrest matting
- 5 Front seat cushion matting

With this version the filling is stuck laterally to matting



P91.18-2017-04

- 6 Rear seat cushion matting

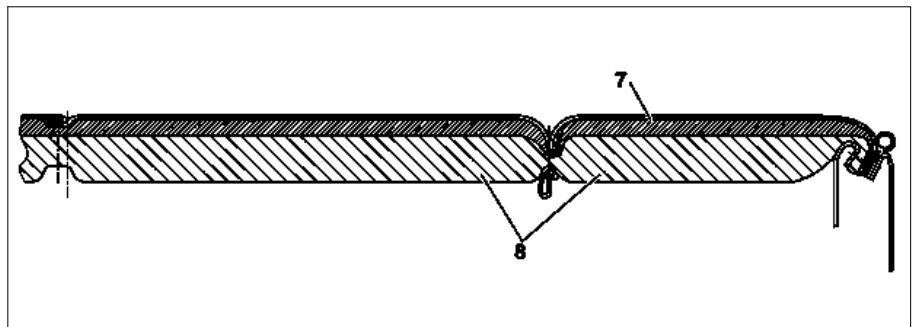


P91.18-2018-04

**Seat cover: new version (cross section)**

- 7 Seat cover
- 8 Filling

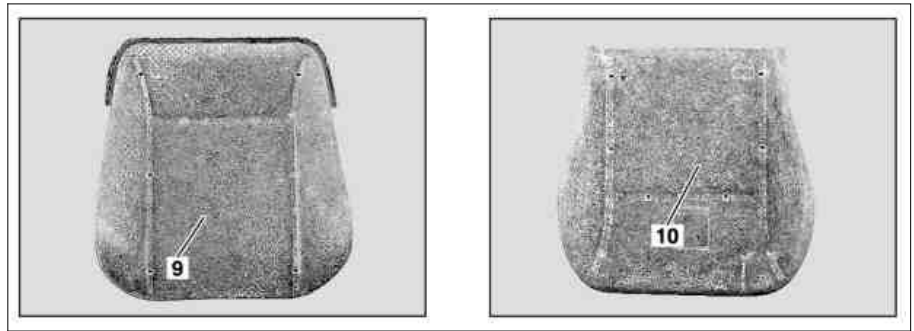
With this version filling is sewn to seat cover across whole width.



P91.18-2019-04

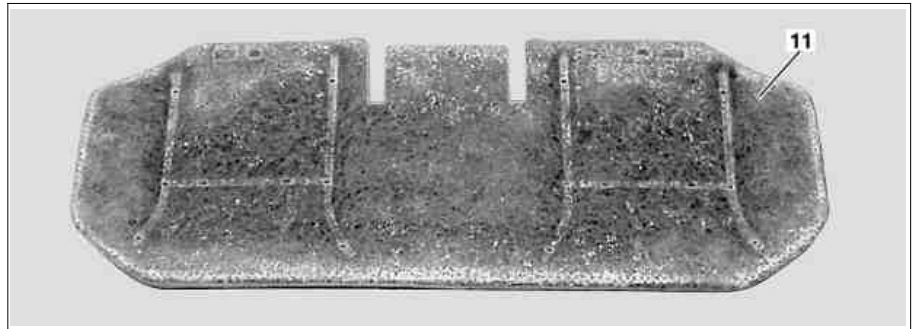
**Matting: new version**

- 9 Front seat backrest matting
- 10 Front seat cushion matting



P91.18-2020-04

- 11 Rear seat cushion



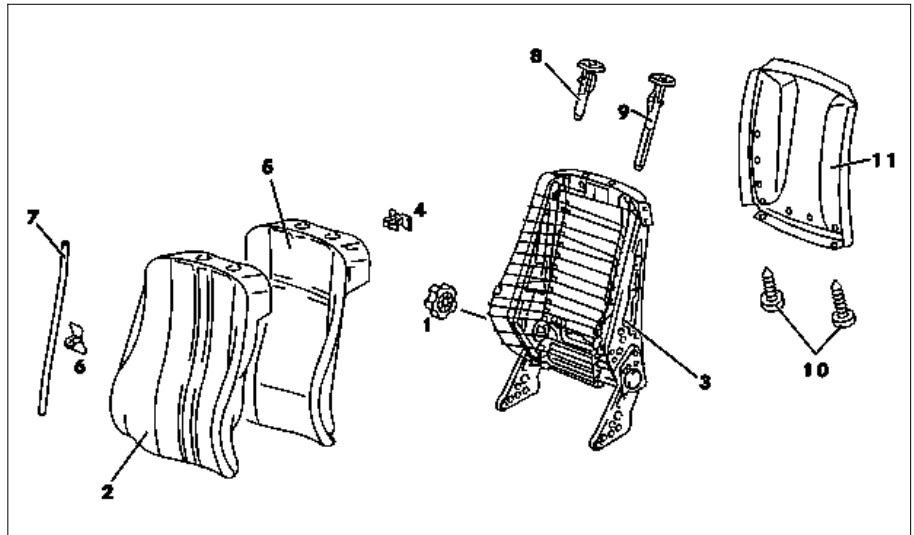
P91.18-2021-04

**Possible repair versions on front seat and/or rear seat cushions and front seat backrests are:**

- 1. New version seat cover on previous version matting**  
When combining new version seat covers (7) with previous version matting (4, 5 and 6), the lateral filling (3) must be separated from matting (4, 5 and 6).
- 2. Previous version seat cover on new version matting**  
When combining previous version seat covers (1) with new version matting (9, 10 and 11) lateral filling (3) must be separated from previous version matting (4, 5 and 6) and new version matting (9, 10 and 11) stuck in the appropriate places.
- 3. Rear seat backrest repair version**  
Changing previous version rear seat backrest cover or previous version matting of rear seat backrest is still only possible with a complete change, i.e. cover and matting must be renewed together.

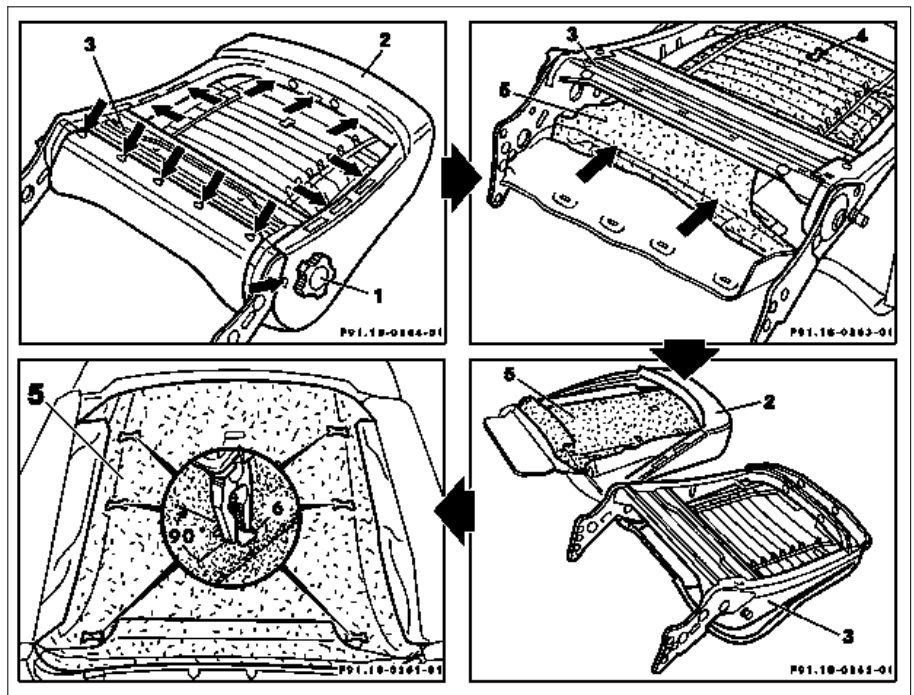
MODEL 210

- 1 Hand wheel
- 2 Backrest cover
- 3 Backrest frame
- 4 Upholstery clips for top lateral retention
- 5 Rubberized fiber matting
- 6 Upholstery clips for longitudinal retention
- 7 Longitudinal retaining wire
- 8 Right head restraint guide
- 9 Left head restraint guide (with release button)
- 10 Screws
- 11 Tensioning element

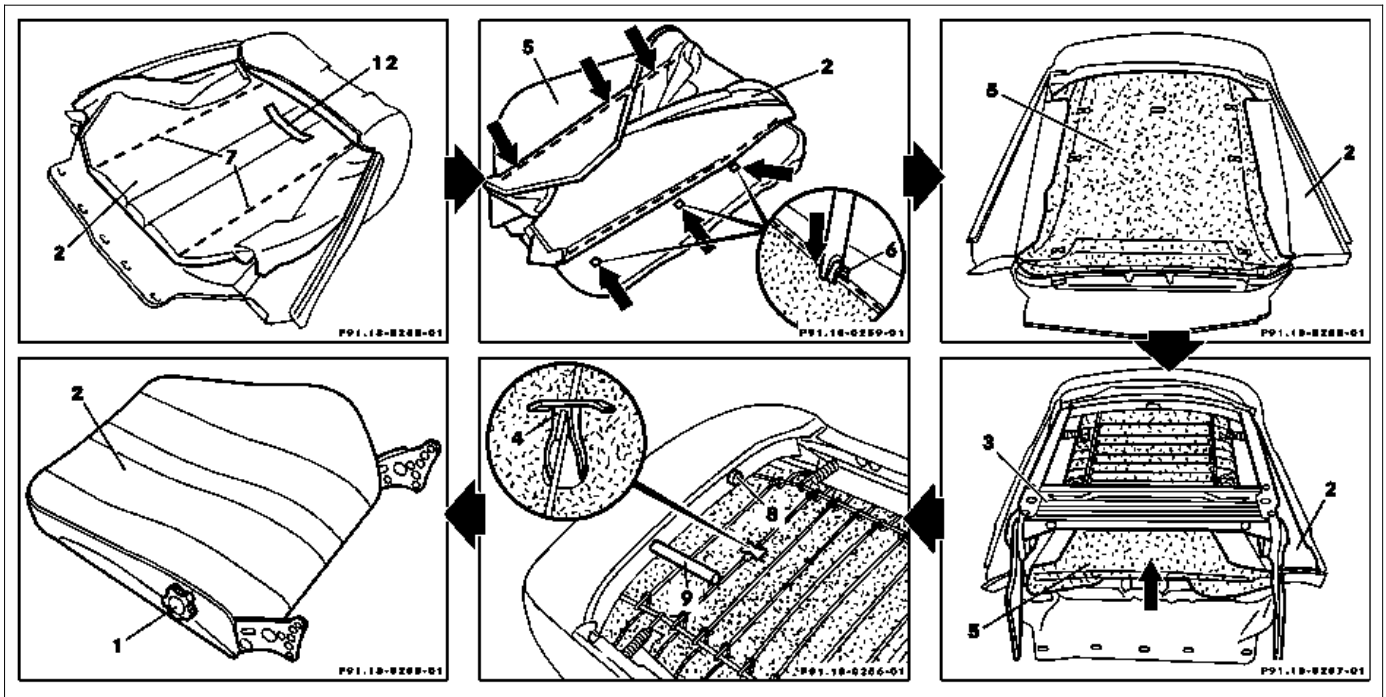


P91.18-0267-05

- 1 Hand wheel
  - 2 Backrest cover
  - 3 Backrest frame
  - 4 Upholstery clips for top lateral retention
  - 5 Rubberized fiber matting
  - 6 Upholstery clips for longitudinal retention
- Arrows Attachment strips for cover (2) and tab on rubberized fiber matting (5)




P91.18-0265-06



P91.18-0266-09

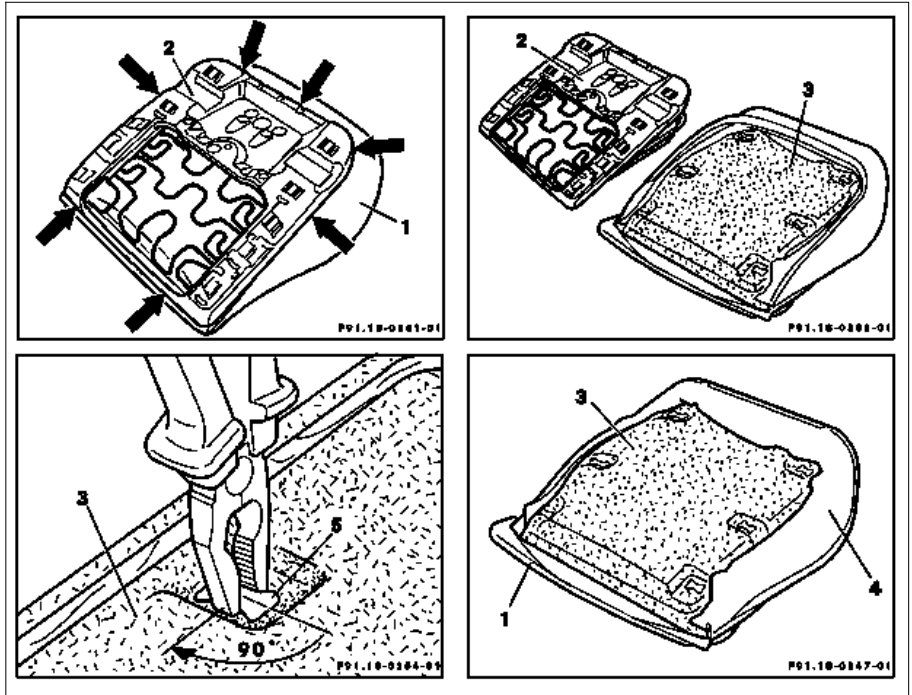
- |   |                |   |                             |    |   |
|---|----------------|---|-----------------------------|----|---|
| 1 | Hand wheel     | 4 | Upholstery clips            | 8  | Right head restraint guide              |
| 2 | Backrest cover | 5 | Rubberized fiber matting    | 9  | Left head restraint guide               |
| 3 | Backrest frame | 7 | Longitudinal retaining wire | 12 | Textile strip for top lateral retention |
- Arrows Longitudinal retention position      Arrows Tab on rubberized fiber matting

	Removal		
1	Front seat backrest removed		AR91.10-P-1060E
2	Tensioning element (11) on front seat backrest removed		AR91.10-P-1910E
3	Head restraint guides (8 and 9) on front seat removed		AR91.16-P-0050A
			AR91.16-P-0050B
4	Lay front seat backrest down on suitable surface with cover pointing downward		
5	Pull off hand wheel (1)		
6	Unhook backrest cover (2) all the way around on the backrest frame (3) (arrows)		
7	Unhook upholstery clips (4) on spring wire		
8	Pull tab at bottom of rubberized fiber matting (5) (arrows) down and out and remove backrest frame (3) from rubberized fiber matting (5)		
9	Unhook upholstery clip (6) by turning upholstery clip 90° with flat pliers		
10	Unhook upholstery clip (4) on lateral retaining strip (12) and remove		
11	Remove Velcro strip on side of rubberized fiber matting (5)		
12	Pull backrest cover (2) off of rubberized fiber matting (5) and remove		
	Installation		
13	Insert upholstery clip (6) into rubberized fiber matting (5) and align		
14	Fold backrest cover (2) in at side and position on rubberized fiber matting (5) and align	When replacing retaining wires pull into fabric sleeves in cover	
BT	Upholstery filling of seat modified	Valid only when fitting new seat covers or new rubberized fiber matting	BT91.18-P-0001-01F
WF	Connect longitudinal retaining wires (7) with upholstery clips (arrows) Installation tool for retaining wire	Model 210	WF58.50-P-9118-02A
15	Connect longitudinal retaining wires (7) with upholstery clips (arrows)		
16	Installation tool for retaining wire	Model 210	WF58.50-P-9118-02A
17	Pull top of backrest cover (2) over "top" of rubberized fiber matting (5)		
18	Align and attach backrest cover (2) at side with Velcro strips to rubberized fiber matting (5)		

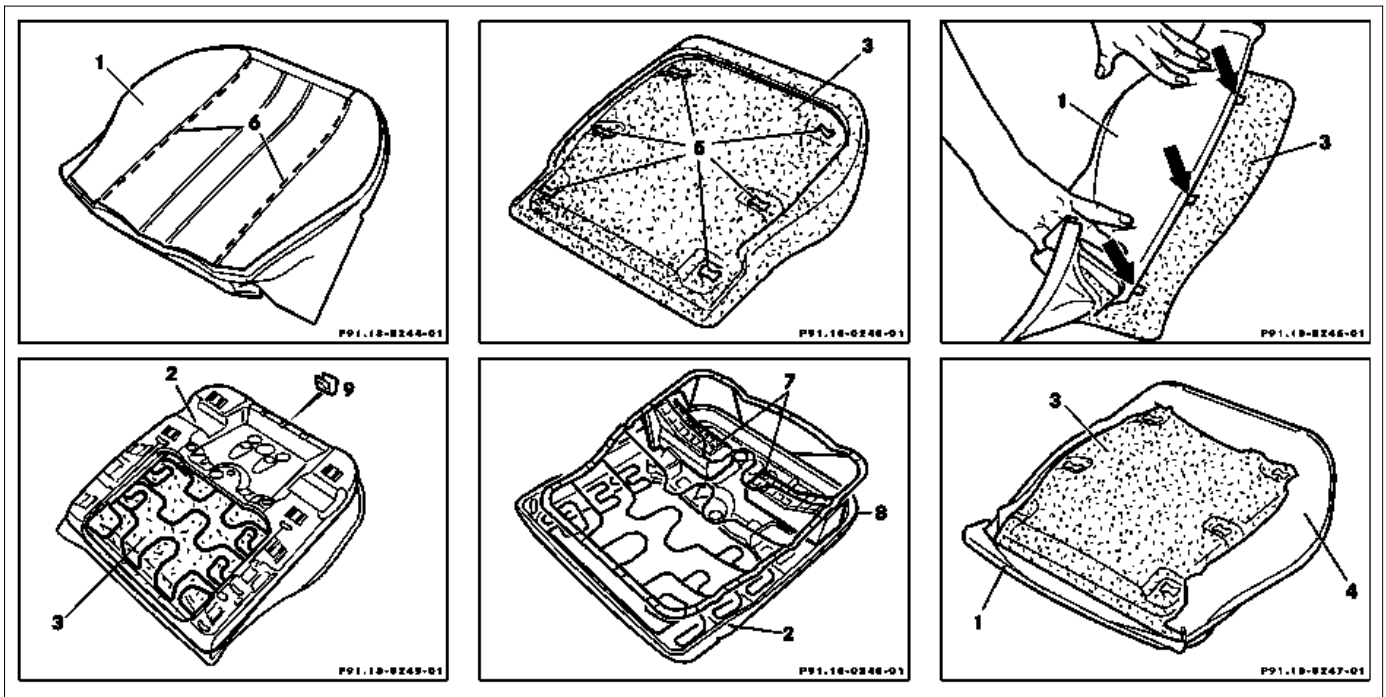
18	Insert backrest frame (3) into rubberized fiber matting (5) and expose rubberized fiber matting (5) in upper area		
19	Position rubberized fiber matting tab (arrow) at bottom over spring bracket		
20	Hook or insert backrest cover (2) all the way around on backrest frame (3)		
21	Connect upholstery clips (4) to lateral retaining strip (12) and simultaneously hook in spring wire for backrest frame		
22	Install both head restraint guides (8 and 9)		AR91.16-P-0050A AR91.16-P-0050B
23	Install tensioning element (1) on front seat backrest		AR91.10-P-1910E
24	Install hand wheel (1) on shaft for backrest adjustment gear	 Check catch, replace hand wheel if necessary	
25	Screw front seat backrest onto seat adjustment mechanism		AR91.10-P-1060E
26	Continue to reinstall in opposite order		

MODEL 210

- 1 Cover
- 2 Cushion frame
- 3 Rubberized fiber matting
- 4 Velcro strips
- 5 Upholstery clips



P91.18-0250-06









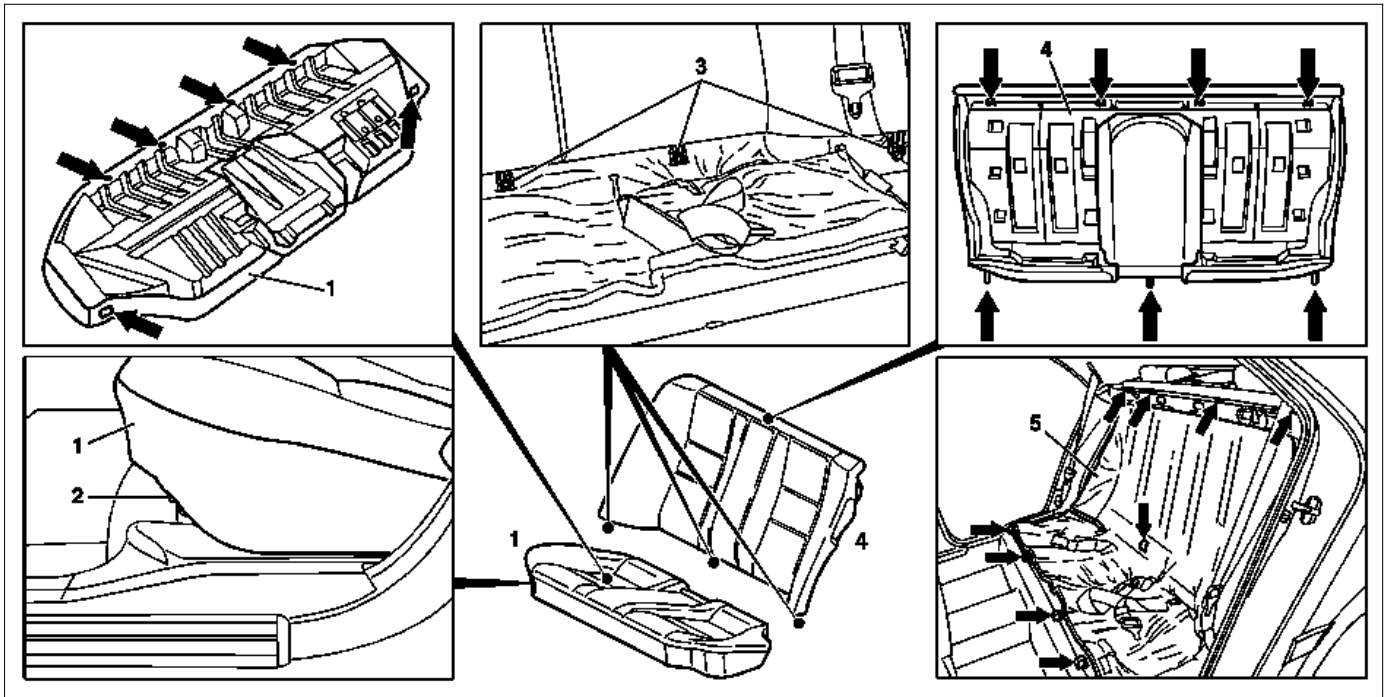
P91.18-0243-09

- 1 Cover
- 2 Cushion frame
- 3 Rubberized fiber matting
- 4 Velcro strips
- 5 Upholstery clips
- 6 Retaining wires
- 7 Foam rubber wedge
- 8 Crepe strip
- 9 Retaining clip

Icon	Removal		
1	Remove seat adjustment mechanism on front seat		AR91.10-P-1450F
2	Lay seat cushion down on suitable surface with cover downward		
3	Unhook cover (1) from clip groove (arrows) in cushion frame (2) all around	<b>i</b> Relieve tension on cover (2) by pushing down cushion frame	
4	Remove cushion frame (2) from rubberized fiber matting (3)		
5	Draw cover (1) over outer edge of rubberized fiber matting (3)		



6	Pull Velcro strips (4) off of rubberized fiber matting (3)		
7	Loosen upholstery clips (5, 6 each), by turning upholstery clip (5) 90° with flat pliers		
8	Remove cover (1) from rubberized fiber matting (3) and pull retaining wires (6) out of cover (1)		
	<b>Installation</b>		
9	Push retaining wires (6) into fabric sleeves on cover (1) and align		
10	Press upholstery clips (5, 6 each) into rear of rubberized fiber matting (3)		
11	Fold cover (1) in on side and position on rubberized fiber matting (3) and align		
 <b>BT</b>	Upholstery filling of seat modified	 Valid only when fitting new seat covers or new rubberized fiber matting	<b>BT91.18-P-0001-01F</b>
 <b>WF</b>	Hook retaining wires (6) into upholstery clips (5) with installation tool Installation tool for retaining wire		<b>WF58.50-P-9118-02A</b>
13	Attach cover (1) to rubberized fiber matting (3) with Velcro strips (4)		
14	Pull cover (1) over outer edge of rubberized fiber matting (3) at sides and front		
15	Insert cushion frame (2) into rubberized fiber matting (3)	 Foam rubber wedge (7, 2 each) inserted in cushion frame (2)	
16	Hook cover (1) into clip groove all the way around while pushing the cushion frame (2) down and also insert one retaining clip (9) at the front	 Sheet metal edge on clip groove at front left and right covered with crepe strip (8)	
17	Install seat adjustment mechanism on front seat		<b>AR91.10-P-1450F</b>
18	Install front seat		<b>AR91.10-P-1000F</b>



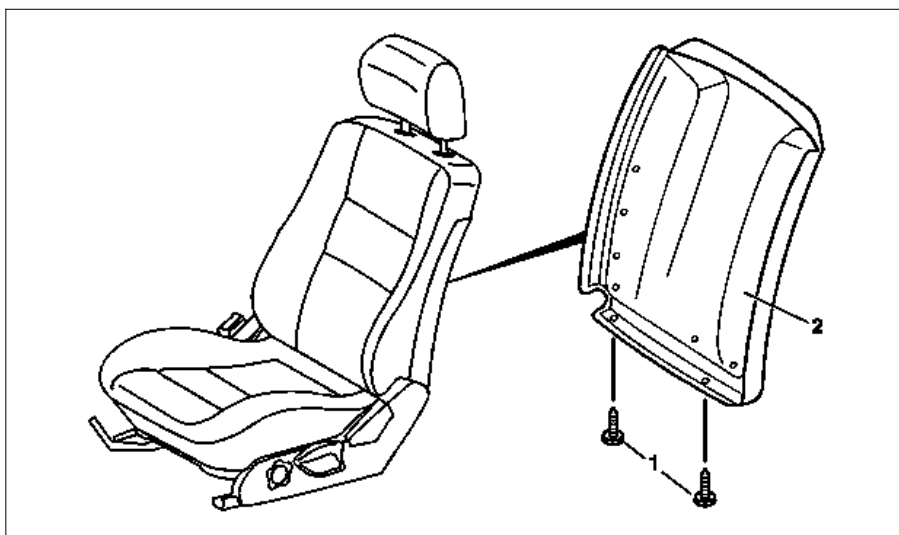
P91.10-0292-09

- 1 Rear seat cushion
- 2 Release lever
- 3 Bolts at bottom of rear backrest frame
- 4 Rear backrest
- 5 Insulating mat

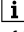
☒ ☒ ☒	Removal, installation		
1	Pull up both release levers (2) and lift rear seat cushion (1)		
2	Remove rear seat cushion (1)	<b>i Installation:</b> When reinstalling expose lap belt and belt buckles. Insert rear seat cushion into the two crash retainers at the rear and allow to catch at front. Pay attention to guide pins (4 each).	
3	Unscrew bolts (3) in seat belt end fitting at bottom on left and right sides and in rear backrest frame		
4	Lift rear backrest (4) up and remove	<b>i Installation:</b> Before installing position insulating mat; expose guide pins for rear seat cushion. When installing insert catches (arrows) into top of rear wall; expose rear seat belts.	
5	Reinstall in opposite order		

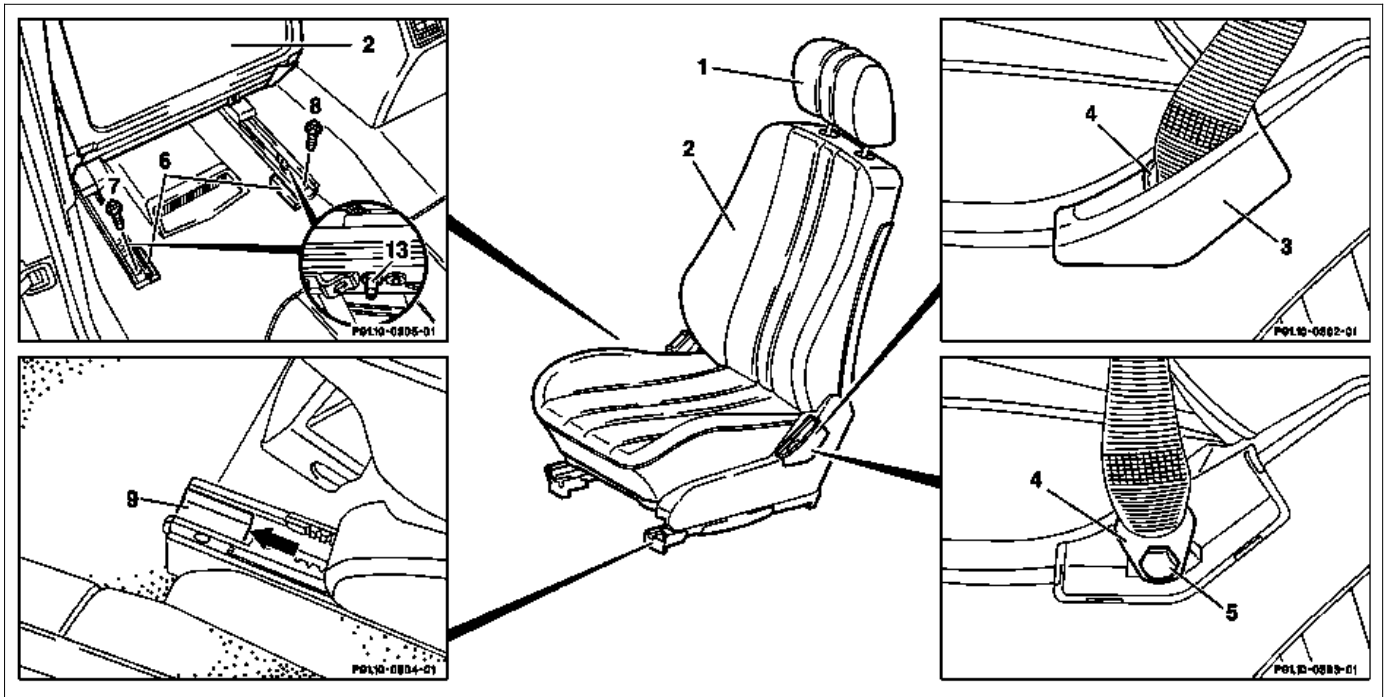
MODELS 202, 210, 220

- 1 Bolts
- 2 Seat-back lining



P91.10-0204-05

☒ ☒	Remove, Install		
1	Slide the front seat forwards with the longitudinal adjustment mechanism		
2	Slide backrest forwards with the inclination adjustment mechanism		
3	Unscrew screws (1)		
4	Pull seat-back lining (2) down and take off	 Installation: slide seat-back lining into top of backrest	
5	Install in the reverse order		



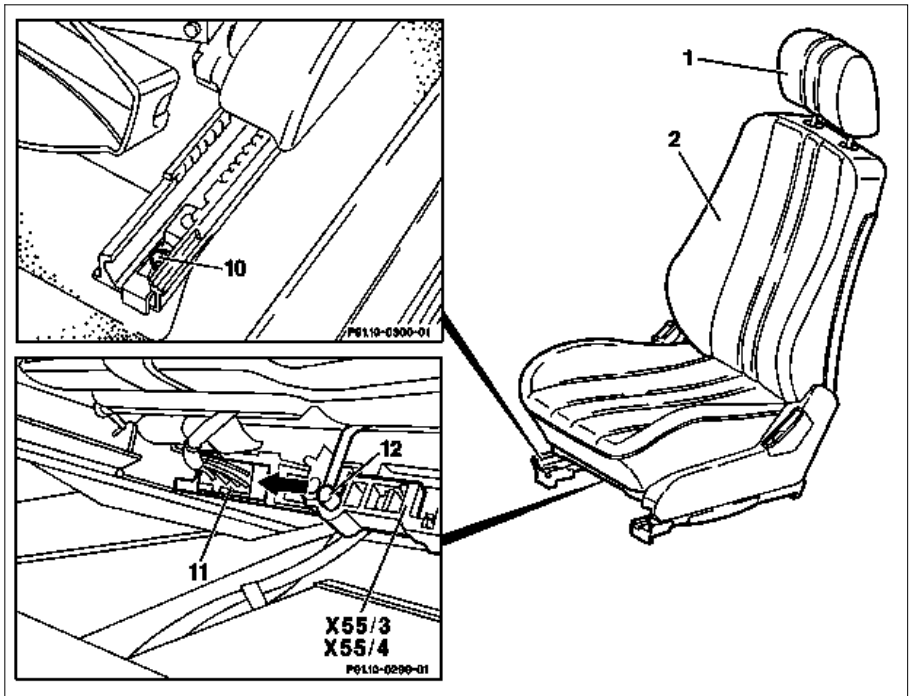
P91.10-0301-09

- 1 Head restraint
- 2 Front seat
- 3 Trim panel
- 4 Belt end fitting



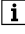
- 5 Screw
- 6 Covers
- 7 Screw

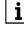


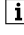
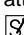

- 8 Screw
- 9 Cover
- 13 Arresting bolts

- 1 Head restraint
- 2 Front seat
- 10 Front screw
- 11 Connector
- 12 Pneumatic line
- X55/3 Left seat contacting strip
- X55/4 Right seat contacting strip



P91.10-0298-06

 	Removal, installation		
1	Remove head restraint (1)		
2	Move front seat (2) toward front		
3	Pull off cover (3) on belt end fitting (4)		
4	Unscrew screw (5, a/f 17) on belt end fitting	Nm	*BA91.40-P-1001-01A
		 When installing, screw on belt end fitting so that it can move .	
5	Pull off cover (6) on rear seat rails		
6	Unscrew screws (7 and 8) on rear seat rails	Nm	*BA91.10-P-1001-01A

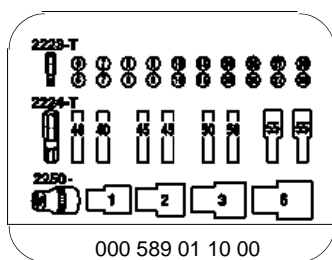
		 Use E12 external Torx socket wrench attachment. 	*000589011000
N	Move front seat (2) toward rear		
8	Remove fire extinguisher from holder		
9	Pull off 2 covers (9) on front seat rails		
10	Unscrew 2 screws (10), on front seat rails	  Use E12 external Torx socket wrench attachment. 	*BA91.10-P-1001-01A *000589011000
11	Disconnect connector (11) and pneumatic line (12) from front seat cushion frame on contacting strip (X55/3)		
12	Lift and remove front seat (2)	 When installing insert arresting bolts (13) into mounting hole in rear consoles.	
13	Install in opposite order		

### Front seats

Number	Designation	Model 210
BA91.10-P-1001-01A	Screw on seat rail	Nm 50

### Seatbelts/emergency tensioning retractors

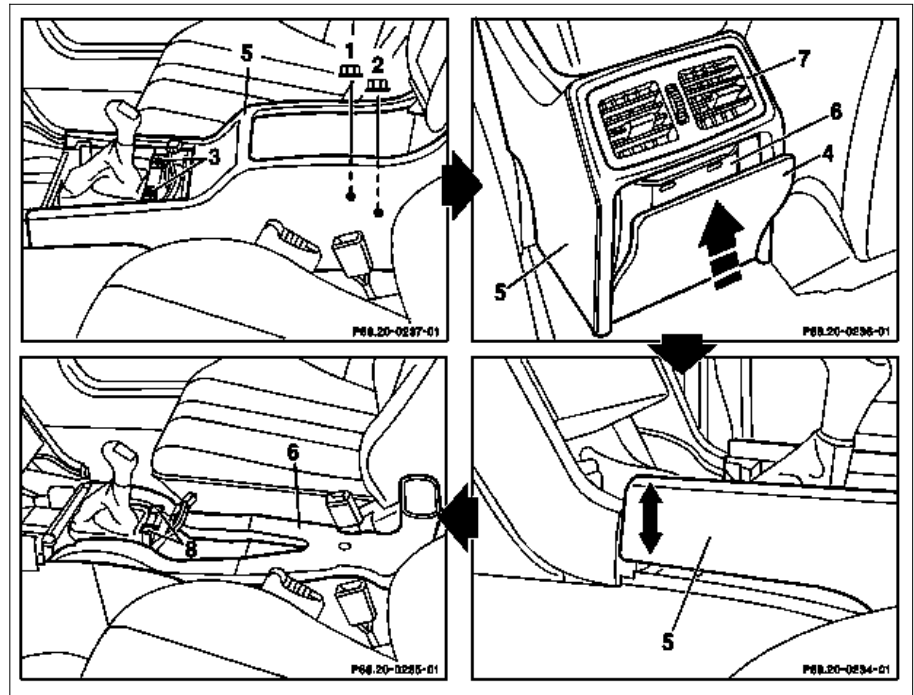
Number	Designation	Model 210
BA91.40-P-1001-01A	Screw on belt end fitting	Nm 35





TORX bit set

## MODEL 210

- 1 Nut
- 2 Nut
- 3 Screws
- 4 Cover
- 5 Center console
- 6 Air duct
- 7 Rear compartment nozzle
- 8 Clip nuts



P68.20-0256-06

 	Removal, installation		
1	Remove cover on shift lever		AR68.20-P-2310F
2	Remove ashtray housing		AR68.20-P-2400F
3	Remove carpet insert in stowage compartment		
4	Unscrew nuts (1 and 2, 10 mm)		
5	Unscrew screws (3)	<b>i</b> <b>Installation:</b> When installing clip sheet metal clip nuts (8) onto shift lever bracket	
6	Unclip cover (4) at top and pull out upwards		
7	Lift center console (5) disengaging at the front from the sliding insert connection and at the rear from the air duct (6) for the rear compartment nozzle	<b>i</b> <b>Installation:</b> When installing expose connectors	
8	Remove center console (5)		
9	Reinstall in opposite order		

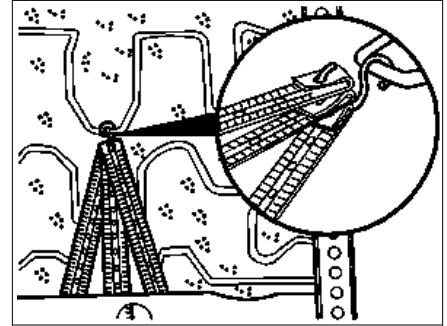
AN91.25-P-0001-03A	Installing seat cushion for seat cushion length adjustment		
--------------------	--	--	--

### Commercially available tools

Number	Designation
WH58.30-Z-1001-29A	Lever riveting device

- 1 Route rubber straps over shaped springs on cushion frame and hook into middle of rear-most spring.

**i** Attach hooks in next to last hole in rubber straps.



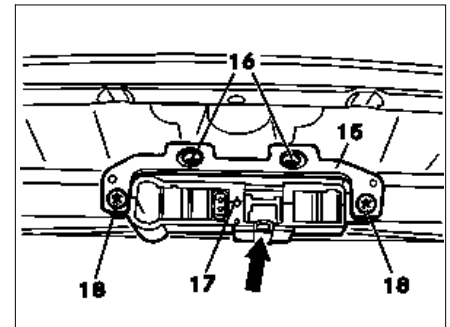
P91.25-0255-13

- 2 Screw holder (15) for contact strip into holes on seat cushion frame with Phillip screws (16).

- 3 Fasten contact strip (17) to holder (15) with Torx screws (18).

**i** After installing connect supply line for control valve cover for contact strip (arrow).

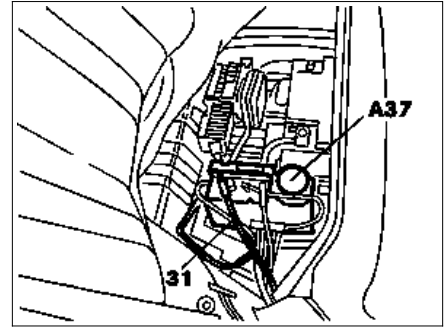
- 4 Fasten holder for control valve to seat cushion frame with rivet (inside of seat).



P91.25-0244-13

- 1 Remove combined pneumatic system equipment control module (A37).
- 2 Install new combined pneumatic system equipment control module (A37), and connect electrical wiring harnesses.
- 3 Connect pneumatic lines to combined pneumatic system equipment control module (A37).

**i** Connect fabricated pneumatic line (31) to connection MKL.  
Plug any pneumatic outlets not used with plugs.



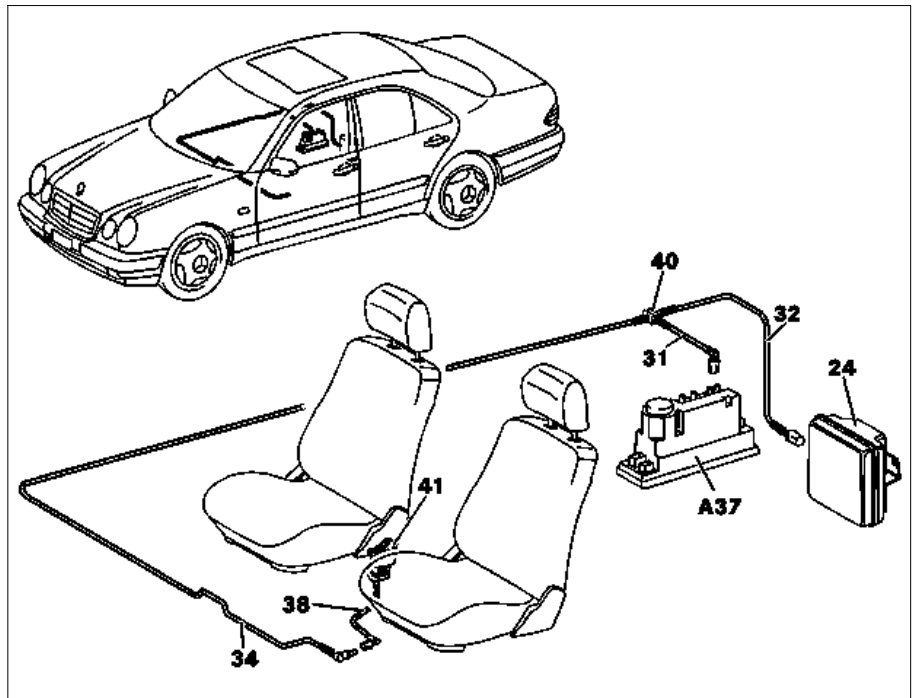
P91.25-0253-13



## Pneumatic line routing for left multi-contour seat

- 24 Pressure reservoir
- 31 Pneumatic line, PSE/T-fitting
- 32 Pneumatic line, T-fitting/pressure reservoir
- 34 Pneumatic line, T-fitting/left front seat
- 38 Pneumatic line, supply line control valve
- 40 T-fitting
- 41 Multi-contour seat control valve

A37 PSE control module, combined

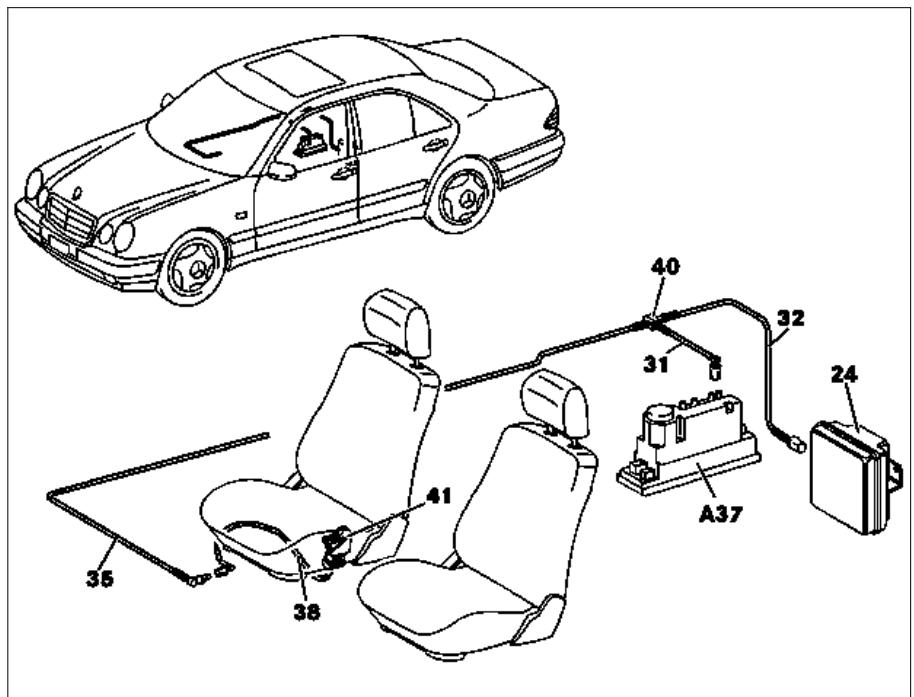


P91.25-0247-57

## Pneumatic line routing for right multi-contour seat

- 24 Pressure reservoir
- 31 Pneumatic line, PSE/T-fitting
- 32 Pneumatic line, T-fitting/pressure reservoir
- 35 Pneumatic line, T-fitting/right front seat
- 38 Pneumatic line, supply line control valve
- 40 T-fitting
- 41 Multi-contour seat control valve

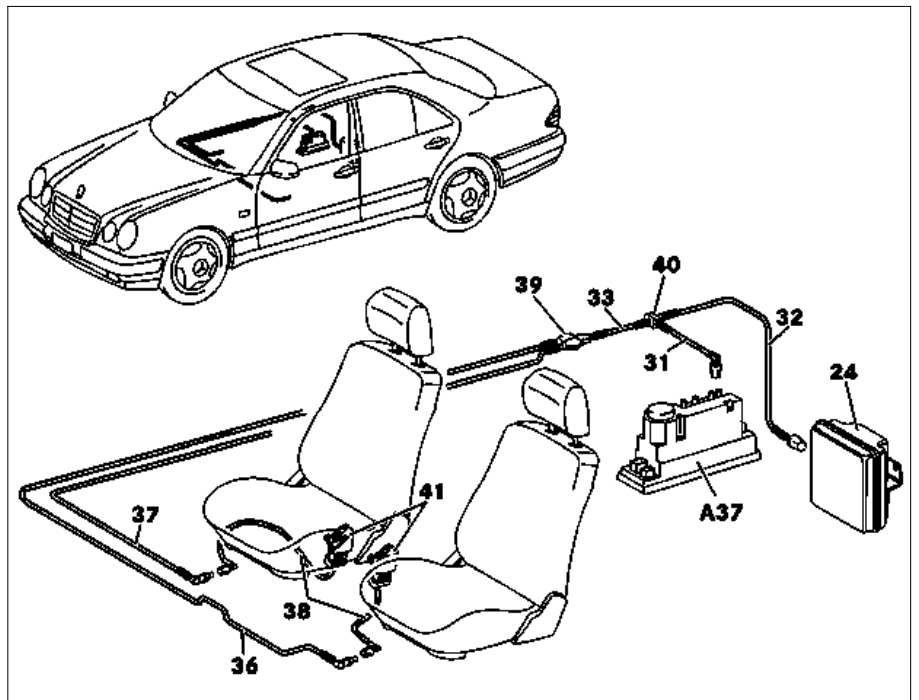
A37 PSE control module, combined



P91.25-0248-57

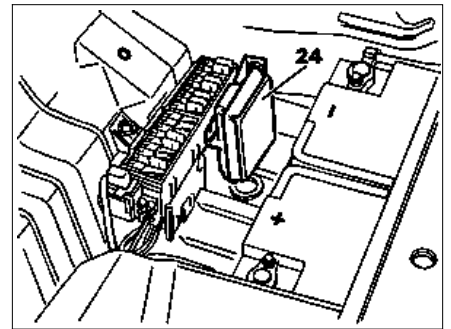
Pneumatic line routing for  
left and right multi-contour seats

- 24 Pressure reservoir
- 31 Pneumatic line, PSE/T-fitting
- 32 Pneumatic line, T-fitting/pressure reservoir
- 33 Pneumatic line, T-fitting/triple distributor
- 36 Pneumatic line, triple distributor/left front seat
- 37 Pneumatic line, triple distributor/right front seat
- 38 Pneumatic line, supply line control valve
- 39 Triple distributor
- 40 T-fitting
- 41 Multi-contour seat control valve
- A37 PSE control module, combined



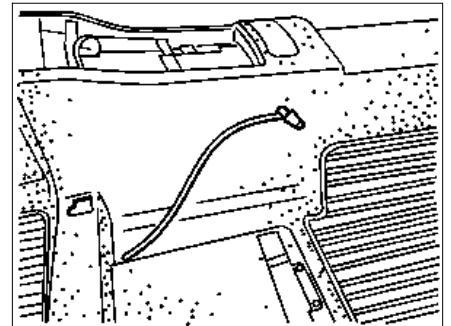
P91.25-0249-57

- 1 Clip pressure reservoir (24) into retaining lug on rear fuse box.



P91.25-0246-13

- 2 Route supply line below seat so that a free length of approx. 370 mm is present beginning at the exit point from the carpeting.

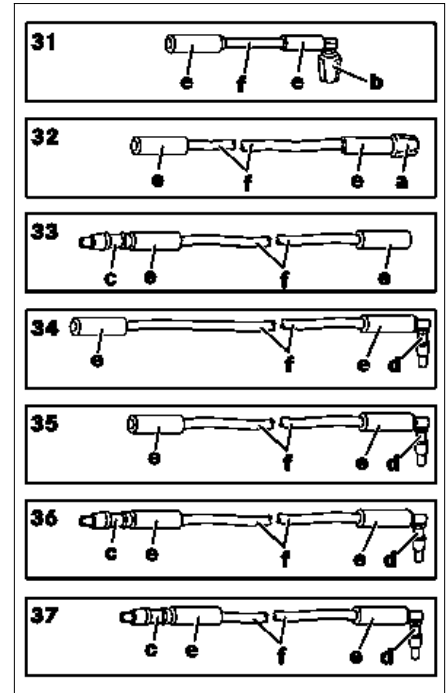


P91.25-0252-13

1 Fabricate pneumatic lines according to drawing depending on installation version.

**i** See also table below.

- a* Straight socket, part no. 202 800 03 53  
*b* Angle socket, part no. 202 800 02 53  
*c* Straight plug, part no. 202 805 03 44  
*d* Angled plug, part no. 202 805 02 44  
*e* Flexible tubing (30 mm long), part no. 007 997 61 82  
*f* Tubing, part no. 000 158 14 353



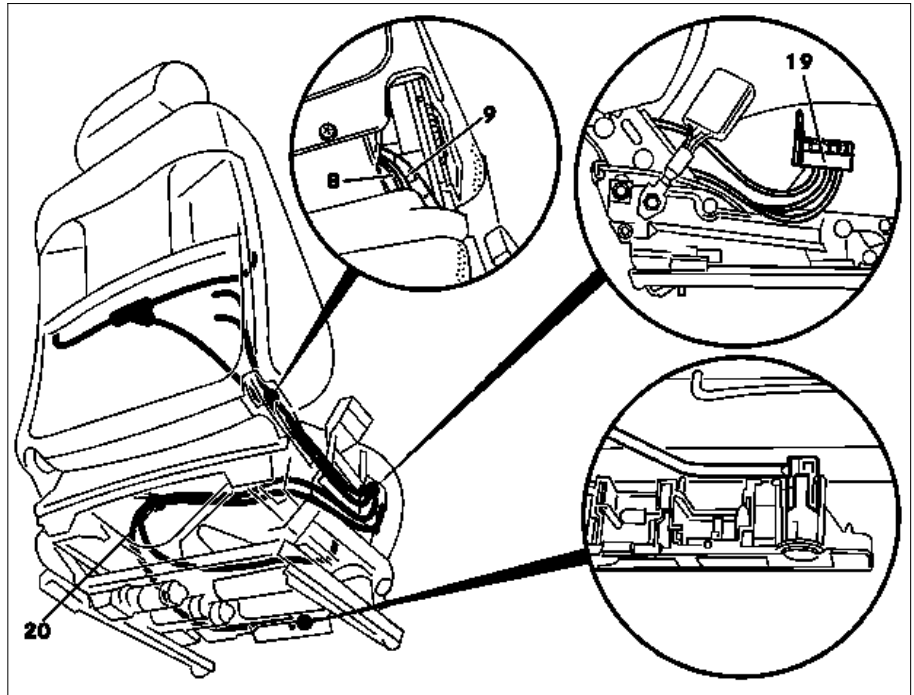
P91.25-0250-17

#### Fabricating pneumatic lines according to table

Line no.	Pneumatic line from	to	Length in mm
31	Pneumatic control module	T-fitting	230
32	T-fitting	Pressure supply reservoir	670
33	T-fitting	Triple distributor (left and right multi-contour seats)	150
34	T-fitting	Left front seat (left multi-contour front seat only)	2820
35	T-fitting	Right front seat (right multi-contour front seat only)	1800
36	Triple distributor	Left front seat (left and right multi-contour front seats)	2620
37	Triple distributor	Right front seat (left and right multi-contour front seats)	1600

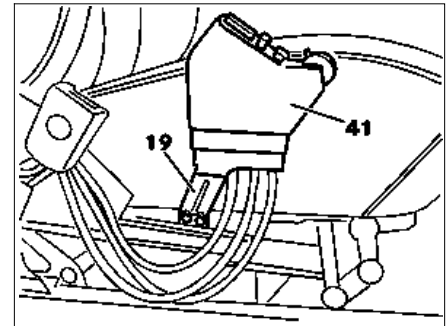
- 1 Route pneumatic lines to holder (19) according to drawing and fasten with straps (20).

*Pneumatic line routing in seat (illustrated on driver's seat).*



P91.25-0243-57

- 2 Clip pneumatic connectors into holder (19).
- 3 Attach control valve (41).



P91.25-0245-13

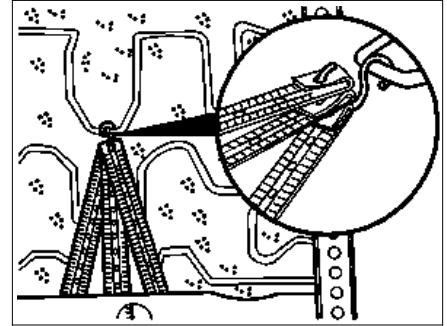
AN91.25-P-0001-03A	Installing seat cushion for seat cushion length adjustment		
--------------------	--	--	--

### Commercially available tools

Number	Designation
WH58.30-Z-1001-29A	Lever riveting device

- 1 Route rubber straps over shaped springs on cushion frame and hook into middle of rear-most spring.

**i** Attach hooks in next to last hole in rubber straps.



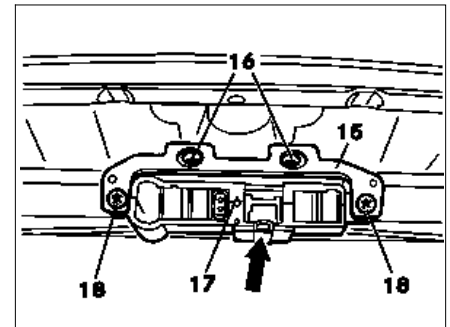
P91.25-0255-13

- 2 Screw holder (15) for contact strip into holes on seat cushion frame with Phillip screws (16).

- 3 Fasten contact strip (17) to holder (15) with Torx screws (18).

**i** After installing connect supply line for control valve cover for contact strip (arrow).

- 4 Fasten holder for control valve to seat cushion frame with rivet (inside of seat).



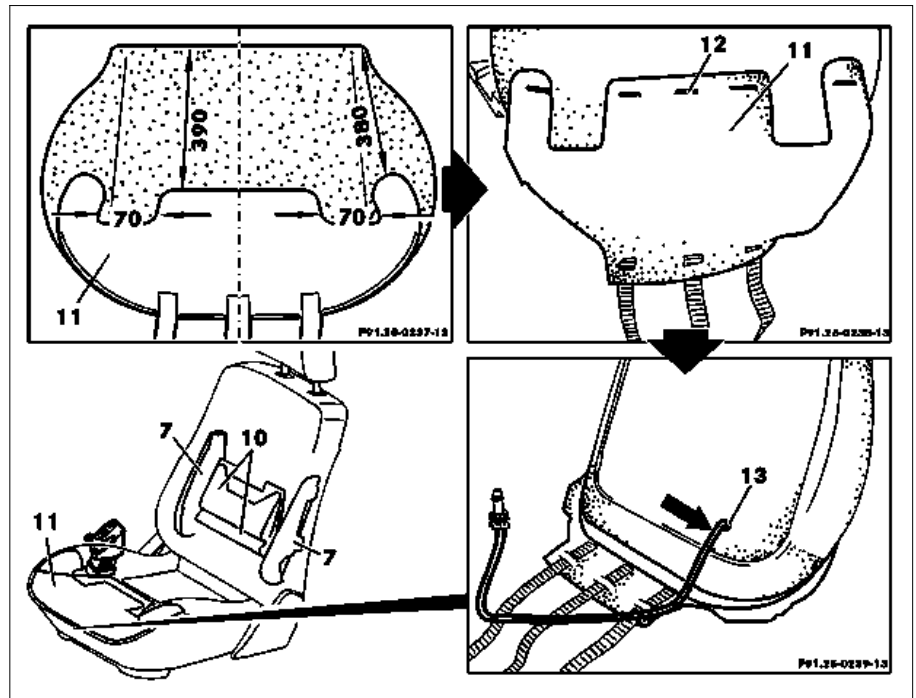
P91.25-0244-13

- 1 Position seat cushion depth adjustment air cushion (11) in center of rubberized fiber matting and align (see figure for dimensions).

ⓘ The supply line (arrow) should always lead through the hole (13) in the rubberized fiber matting on the inside of the vehicle and not be kinked.

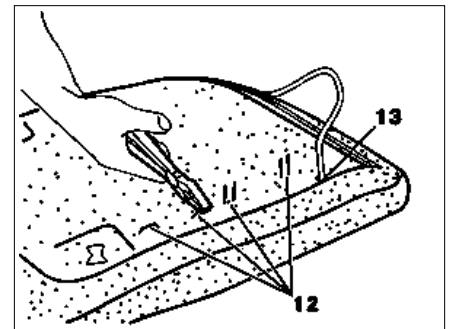
- 2 Fasten seat cushion depth adjustment air cushion (11) with clips (12) to rubberized fiber matting.

ⓘ When pushing the clips (12) through do not damage the supply line (arrow) or the seat cushion depth adjustment air cushion (11).



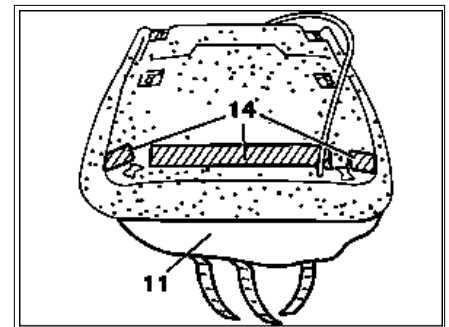
P91.25-0240-57

- 3 Shorten clips (12) on rear of rubberized fiber matting to approx. 10 mm and bend over.



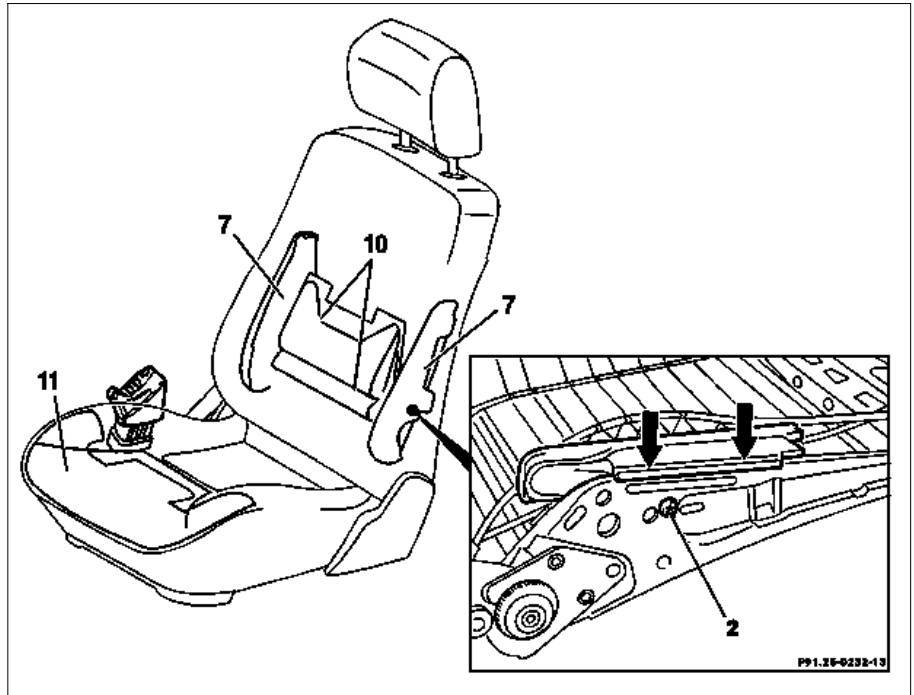
P91.25-0241-13

- 4 Glue felt strip (14) over bent over clips.



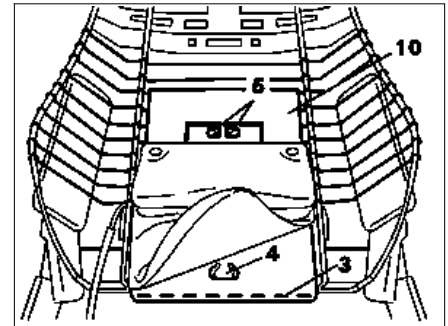
P91.25-0242-13

- 1 Attach side retention air cushion (7) to backrest frame on left and right (arrows) and fasten with Torx screw (2).



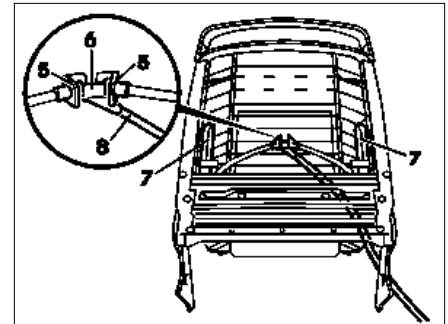
P91.25-0236-57

- 2 Fasten pad (10) with air cushion to front of backrest frame. For this purpose bend perforated lower end (3) toward rear and fold around bottom wire strap.
- 3 Press punched mounting lug (4) through hole in part folded over.
- 4 Bend mounting lug (5) to rear.



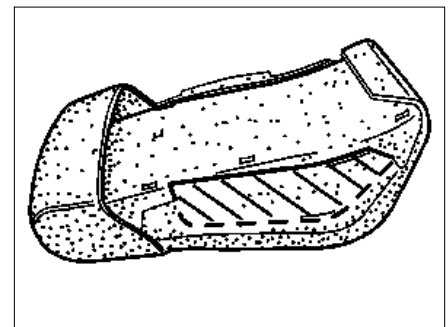
P91.25-0233-13

- 5 Hook triple distributor (6) into mounting lugs (5).
- 6 Connect pneumatic lines of side retention air cushion (7).
- 7 Connect transparent supply line (8).



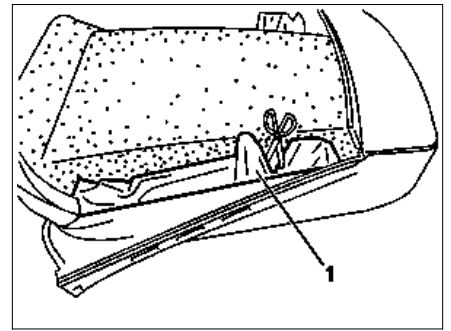
P91.25-0234-13

- 8 Cut out shaded area in rubberized fiber matting on left and right.



P91.25-0230-13

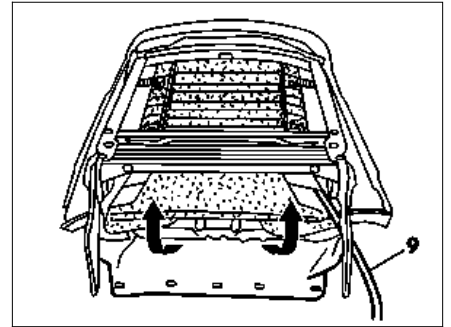
- 9 Fasten front seat backrest cover on rubberized fiber matting and cut into Velcro strip (1) at upper edge of cutout.



P91.25-0231-13

- 10 Fold bottom end of rubberized fiber matting (tabs) around wire strap on backrest frame (arrows).

⚠ Do not pinch pneumatic lines (9).



P91.25-0235-13