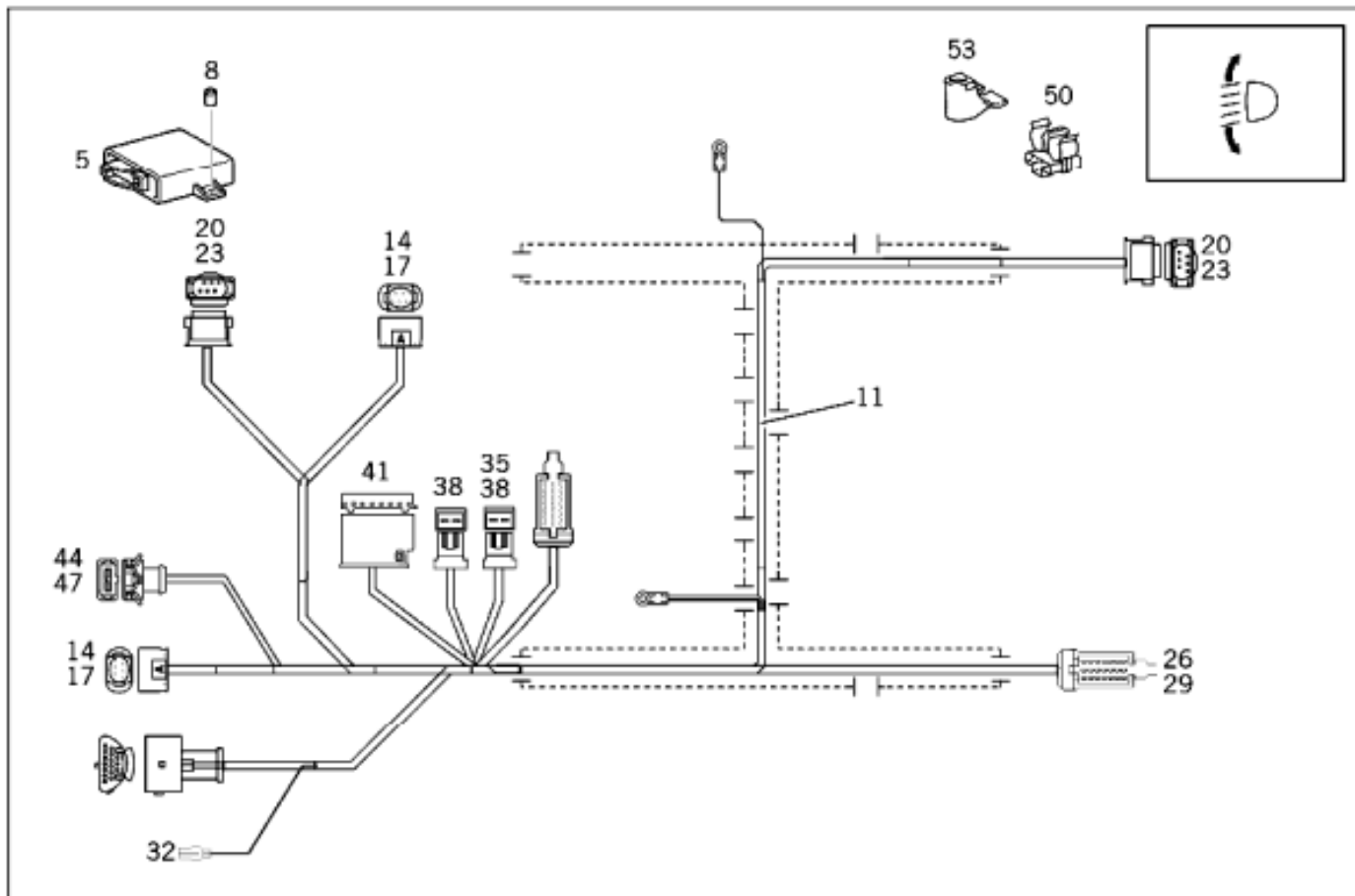


Îñääëü / Ñëñðáìü / Óçãë: 82 ELECTRICAL SYSTEM

Îñääëü=210065 Êàðàëíã=45P Ñëñðáìã: 82 ELECTRICAL SYSTEM

Ëëëðñððððëý: 215 Óçãë: LIGHT RANGE ADJUSTER ELECTRIC



| ¹ | Êíã | Çàìãíã | Ê-ãí | Âãð-ò | Íãçããíëã | Ëíóìðíãðëý | Ïðëíã-ãíëý |
|-----|----------------------------|----------------------------|------|-------|----------------|-------------------------------|---|
| 005 | A2108202526 | 2108206126 | - | | CONTROL UNIT | | |
| 005 | 2108206126 | | 001 | | CONTROL UNIT | LIGHT RANGE ADJUSTER ELECTRIC | *880 *881 |
| 005 | 2108206426 | | 001 | | CONTROL UNIT | LIGHT RANGE ADJUSTER ELECTRIC | *890 |
| 008 | 0029943045 | | 002 | | LOCK | CONTROL UNIT | |
| 011 | 2105405213 | | 001 | L | CABLE HARNESS | LIGHT RANGE ADJUSTER ELECTRIC | *880 *881 |
| 011 | 2105405313 | | 001 | R | CABLE HARNESS | LIGHT RANGE ADJUSTER ELECTRIC | *880 *881 |
| 011 | 2105407735 | | 001 | L | ELECTRIC CABLE | LIGHT RANGE ADJUSTER ELECTRIC | *890 |
| 011 | 2105407835 | | 001 | R | ELECTRIC CABLE | LIGHT RANGE ADJUSTER ELECTRIC | *890 |



| ✓ | Item no. | Part number | Designation/description | Quantity | Version |
|--------------------------|------------------------------|-----------------|---|----------|---------|
| <input type="checkbox"/> | 55 | A 210 545 69 28 | • PIN BUSHING HOUSING LIGHTING UNIT | 002 | |
| <input type="checkbox"/> | 60 | A 008 545 53 26 | • CONTACT SPRING 0.5-1.0 MM2 | NB | |
| <input type="checkbox"/> | 65 | A 210 540 36 81 | • CLUTCH TURNING ANGLE SENSOR 6-PIN MQ5 | 002 | |
| <input type="checkbox"/> | 70 | A 008 545 63 26 | • FEMALE CONTACT 0.5-0.75 MM2 MQ5 | NB | |
| <input type="checkbox"/> | 75 | A 017 545 42 28 | • PIN BUSHING HOUSING CONTROL UNIT | 002 | |
| <input type="checkbox"/> | 80 | A 011 545 81 26 | • CONTACT SPRING 0.5-1.0 MM2 JPT | NB | |
| <input type="checkbox"/> | 85 <input type="checkbox"/> | A 000 540 53 05 | • REP.SET CONTACT FUSE BOX 2.5 MM2 [002] CONNECTORS MUST ALSO BE | NB | |
| <input type="checkbox"/> | 90 | A 032 545 88 28 | • PLUG FUSE AND RELAY BOX,DRIVER 2-PIN SPT | 002 | |
| <input type="checkbox"/> | 95 | A 004 545 52 26 | • CONTACT SPRING 1.0-2.5 MM2 SPT | NB | |
| <input type="checkbox"/> | 95 | A 004 545 00 26 | • FEMALE CONTACT 2.5-4.0 MM2 SPT | NB | |
| <input type="checkbox"/> | 105 <input type="checkbox"/> | A 000 540 46 05 | • ELECTRICAL CABLE SAM CONTROL UNIT 0.75 MM2 MQ5 [002] CONNECTORS MUST ALSO BE | NB | |
| <input type="checkbox"/> | 110 | A 034 545 53 28 | • PIN BUSHING HOUSING HEADLAMP WIPER,/WASHER PUMP 2-PIN JPT | 002 | |
| <input type="checkbox"/> | 115 <input type="checkbox"/> | A 000 540 28 05 | • ELECTRICAL CABLE 2.5 MM2 JPT | NB | |

