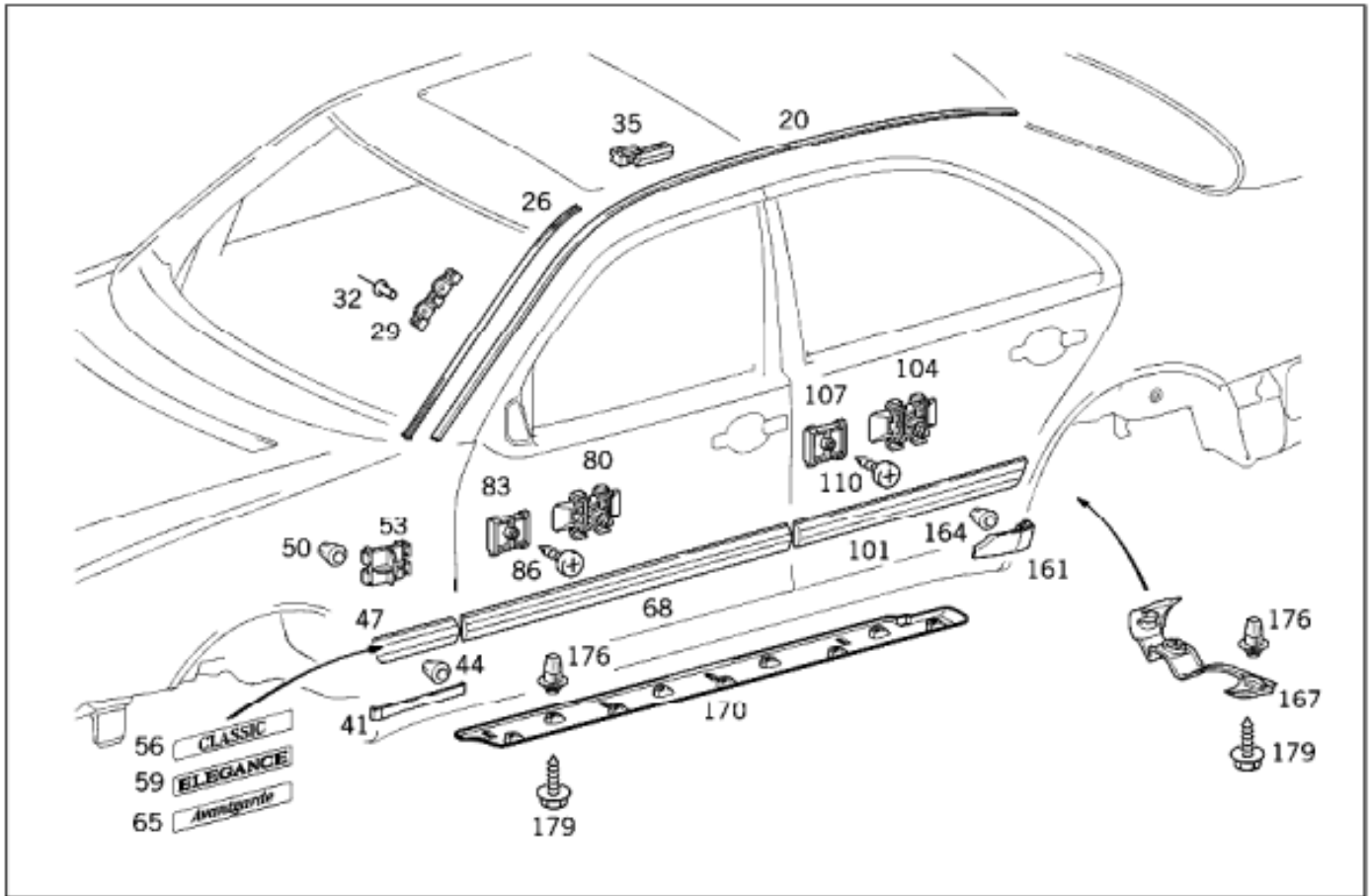
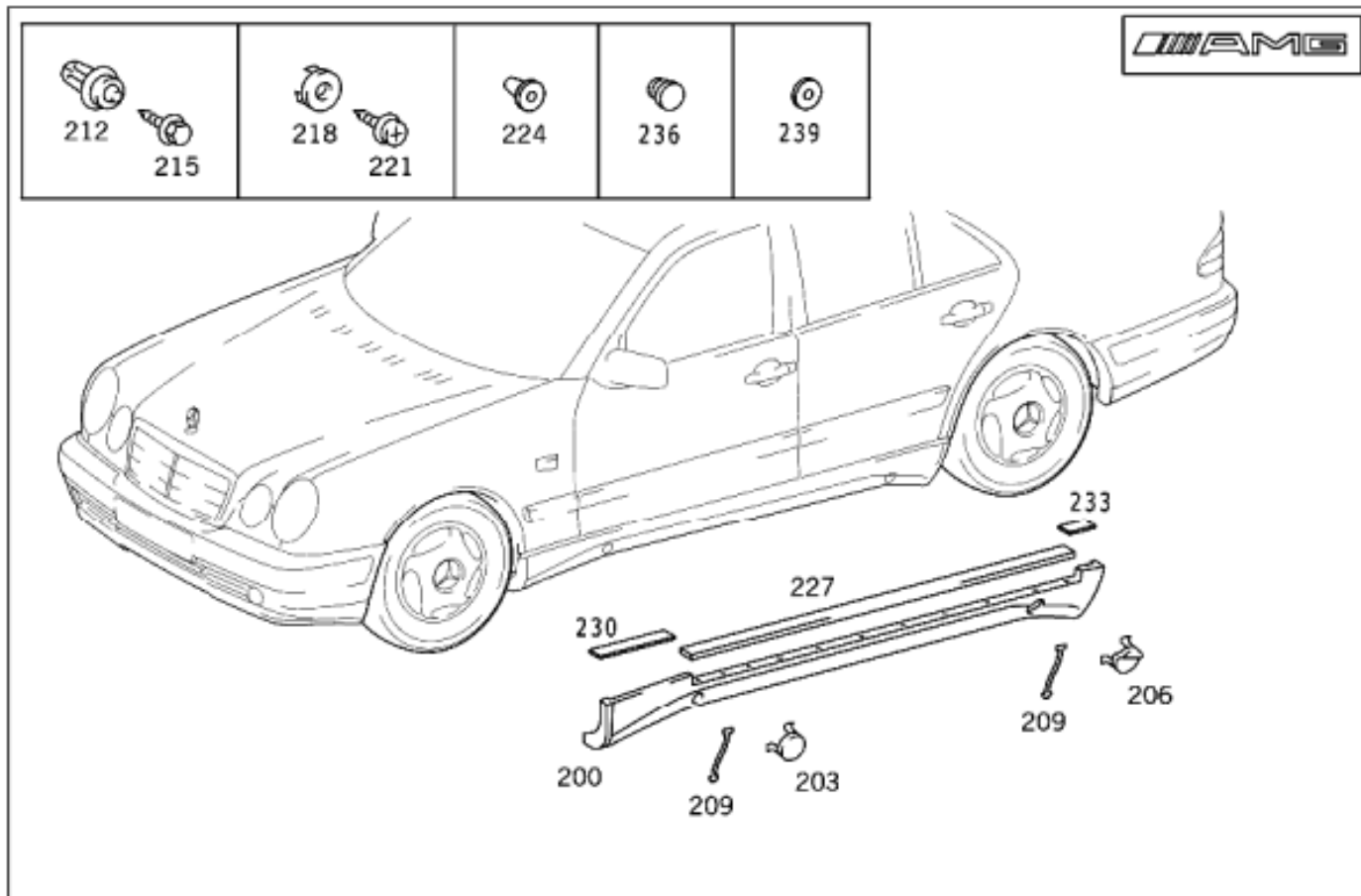


Îããëü / Ñëñðàìü / Óçãë: 69 COVERING AND LINING

Îããëü=210065 Êàðàείã=45P Ñëñðàìà: 69 COVERING AND LINING

Ëëëðñðàðëý: 060 Óçãë: OUTSIDE ATTACHMENT PARTS





1	Έτη	Χαίρια	Ê-âî	Áαð-ò	Íαçaàñέα	Èíðíðíàðèý	Ïðèá-àñèý
020	<a href="#">2106903562</a>		001		LEDGE	(WATER DEFLECTOR),LEFT	CLASSIC
020	<a href="#">2106905962</a>		001		LEDGE	(WATER DEFLECTOR),LEFT	ELEGANCE/AVANTGARDE *970
020	<a href="#">2106903662</a>		001		LEDGE	(WATER DEFLECTOR),RIGHT	CLASSIC
020	<a href="#">2106906062</a>		001		LEDGE	(WATER DEFLECTOR),RIGHT	ELEGANCE/AVANTGARDE *970
026	<a href="#">2106980198</a>		001		SEAL	(WATER DEFLECTOR),LEFT	
026	<a href="#">2106980298</a>		001		SEAL	(WATER DEFLECTOR),RIGHT	
029	<a href="#">2029882878</a>		006		CLIP	(WATER DEFLECTOR) ON FRONT PANEL PILLAR	

032	<a href="#">910001003101</a>		012		RIVET	(WATER DEFLECTOR) ON FRONT PANEL PILLAR	
035	<a href="#">2106900213</a>		010		CLIP	WHITE;WATER DEFLECTOR TO ROOF	
041	<a href="#">2106902562</a>		001		LEDGE	LEFT FRONT FENDER,BOTTOM	
041	<a href="#">2106902662</a>		001		LEDGE	RIGHT FRONT FENDER,BOTTOM	
044	A0019887781	<a href="#">0019887681</a>	-		FASTENER BUTTON		
044	<a href="#">0019887681</a>		006		FASTENER BUTTON		
047	<a href="#">2106901362</a>		001		LEDGE	LEFT FRONT FENDER	CLASSIC <a href="#">*960</a>
047	<a href="#">2106901562</a>		001		LEDGE	LEFT FRONT FENDER	ELEGANCE <a href="#">*960</a>
047	<a href="#">2106901462</a>		001		LEDGE	RIGHT FRONT FENDER	CLASSIC <a href="#">*960</a>
047	<a href="#">2106901662</a>		001		LEDGE	RIGHT FRONT FENDER	ELEGANCE <a href="#">*960</a>
050	<a href="#">0019887681</a>		006		FASTENER BUTTON	LOWER PART	
053	<a href="#">0019888081</a>		006		FASTENER BUTTON	UPPER PART	
056	A2108170720	<a href="#">2108171420</a>	-		GUIDE SIGN		
056	<a href="#">2108171420</a>		002		GUIDE SIGN	PANELLING TO FRONT FENDER	CLASSIC
-----	<a href="#">2028175420</a>		002		GUIDE SIGN	PANELLING TO FRONT FENDER	SPORT <a href="#">*403</a>
059	A2028175620	<a href="#">2108171520</a>	-		GUIDE SIGN		
059	<a href="#">2108171520</a>		002		GUIDE SIGN	PANELLING TO FRONT FENDER	ELEGANCE
065	<a href="#">2108171620</a>		002		GUIDE SIGN	PANELLING TO FRONT FENDER	AVANTGARDE
068	<a href="#">2106900162</a>		001		LEDGE	LEFT FRONT DOOR, CENTRAL	CLASSIC <a href="#">*960</a>
068	<a href="#">2106900362</a>		001		LEDGE	LEFT FRONT DOOR, CENTRAL	ELEGANCE <a href="#">*960</a>
068	<a href="#">2106900262</a>		001		LEDGE	RIGHT FRONT DOOR, CENTRAL	CLASSIC <a href="#">*960</a>
068	<a href="#">2106900462</a>		001		LEDGE	RIGHT FRONT DOOR, CENTRAL	ELEGANCE <a href="#">*960</a>
080	<a href="#">0079887178</a>		010		CLIP		
083	<a href="#">0089882178</a>		002		CLIP		
086	<a href="#">2019902036</a>		002		SCREW	PROTECTIVE STRIP TO FRONT DOOR	

101	<a href="#">2106900762</a>		001		LEDGE	LEFT REAR DOOR, CENTRAL	CLASSIC <a href="#">*960</a>
101	<a href="#">2106900962</a>		001		LEDGE	LEFT REAR DOOR, CENTRAL	ELEGANCE <a href="#">*960</a>
101	<a href="#">2106900862</a>		001		LEDGE	RIGHT REAR DOOR, CENTRAL	CLASSIC <a href="#">*960</a>
101	<a href="#">2106901062</a>		001		LEDGE	RIGHT REAR DOOR, CENTRAL	ELEGANCE <a href="#">*960</a>
104	<a href="#">0079887178</a>		008		CLIP		
107	<a href="#">0089882178</a>		002		CLIP		
110	<a href="#">2019902036</a>		002		SCREW	PROTECTIVE STRIP TO REAR DOOR	
161	<a href="#">2106902762</a>		001		LEDGE	REAR FENDER,LEFT FRONT	
161	<a href="#">2106902862</a>		001		LEDGE	REAR FENDER, RIGHT FRONT	
164	A0019887781	<a href="#">0019887681</a>	-		FASTENER BUTTON		
164	<a href="#">0019887681</a>		002		FASTENER BUTTON	LOWER PART	
167	A2106981730	<a href="#">2106983330</a>	-		COVERING		
167	<a href="#">2106983330</a>		001		COVERING	SIDE MEMBER LATERAL REAR LEFTT	
167	A2106981830	<a href="#">2106983430</a>	-		COVERING		
167	<a href="#">2106983430</a>		001		COVERING	SIDE MEMBER LATERAL REAR RIGHT	
170	<a href="#">2106982330</a>		001		COVERING	SIDE MEMBER LATERAL BOTTOM LEFT	
170	<a href="#">2106982430</a>		001		COVERING	SIDE MEMBER LATERAL BOTTOM RIGHT	
176	<a href="#">0009888625</a>		030		TREENAIL	SIDE MEMBER LATERAL REAR LEFT AND RIGHT	
179	<a href="#">2019900004</a>		030		SCREW	SIDE MEMBER LATERAL REAR LEFT AND RIGHT	
200	<a href="#">WA2106980154</a>		001		PANELLING	LEFT	<a href="#">*420</a>
200	<a href="#">WA2106980254</a>		001		PANELLING	RIGHT	<a href="#">*420</a>
203	<a href="#">WA2106980130</a>		001		COVERING	FRONT LEFT	<a href="#">*420</a>
203	<a href="#">WA2106980230</a>		001		COVERING	FRONT RIGHT	<a href="#">*420</a>
206	<a href="#">WA2106980330</a>		001		COVERING	REAR LEFT	<a href="#">*420</a>
206	<a href="#">WA2106980430</a>		001		COVERING	REAR RIGHT	<a href="#">*420</a>
209	<a href="#">2016980214</a>		004		HANGING STRAP		
212	<a href="#">0009885225</a>		010		TREENAIL		

215	<a href="#">2019900004</a>		010	SCREW	
218	<a href="#">WA2029880281</a>		018	FASTENER BUTTON	
221	<a href="#">914138004202</a>		018	SCREW	
224	<a href="#">WA2029880481</a>		004	TREENAIL	
227	<a href="#">WA2106860174</a>		002	LEDGE	COVERING TO STEP PLATE
230	<a href="#">WA2106900439</a>		002	RAIL	ADHESIVE FASTENER; FRONT
233	<a href="#">WA2106900539</a>		001	RAIL	ADHESIVE FASTENER; REAR LEFT
233	<a href="#">WA2106900639</a>		001	RAIL	ADHESIVE FASTENER; REAR RIGHT
236	<a href="#">WA2109970135</a>		008	PLUG	
239	<a href="#">WA2019900240</a>		002	WASHER	

\*403 NOT USED

\*420 TO BE PAINTED PRIOR TO INSTALLATION

\*960 =====I

COLOR NUMBERS I USED WITH OUTSIDE PAINTWORK I

-----I-----I

- NO.7700 ALTO GREY I 040 ,199 I
- NO.7201 GREY I 143 ,149 I
- NO.7204 LAUTITGRAU I 189 I
- NO.7221 I 197 I
- NO.6856 KIWI GREEN I 249 I
- NO.6332 I 257 I
- NO.6303 AUGITE GREEN I 269 I
- NO.5251 FLANDERNBLAU I 341 I
- NO.5205 SODALITE I 366 I
- NO.7166 VIOLET GREY I 481 I
- NO.3549 I 572 I
- NO.1658 LIGHT IVORY I 623 I
- NO.7176 MUSSEL GREY I 702 I
- NO.7202 AGATE GREY I 721 I
- NO.7181 STRATUS GREY I 744 I
- NO.6301 ORIENTGRUEN I 891 I
- NO.5309 RIO BLUE I 904 I
- NO.3445 DARK RED I 567 I

=====I

\*970 =====I

COLOR NUMBERS I USED WITH OUTSIDE PAINTWORK I

-----I-----I

- NO.9040 I CODE 040 I
- NO.9143 I CODE 143 I
- NO.9149 I CODE 149 I
- NO.9189 I CODE 189 I
- NO.9197 I CODE 197 I
- NO.9199 I CODE 199 I
- NO.6249 I CODE 249 I
- NO.6269 I CODE 269 I
- NO.6272 I CODE 272 I
- NO.4339 I CODE 339 I
- NO.5341 I CODE 341 I
- NO.5366 I CODE 366 I
- NO.8481 I CODE 481 I
- NO.3569 I CODE 569 I