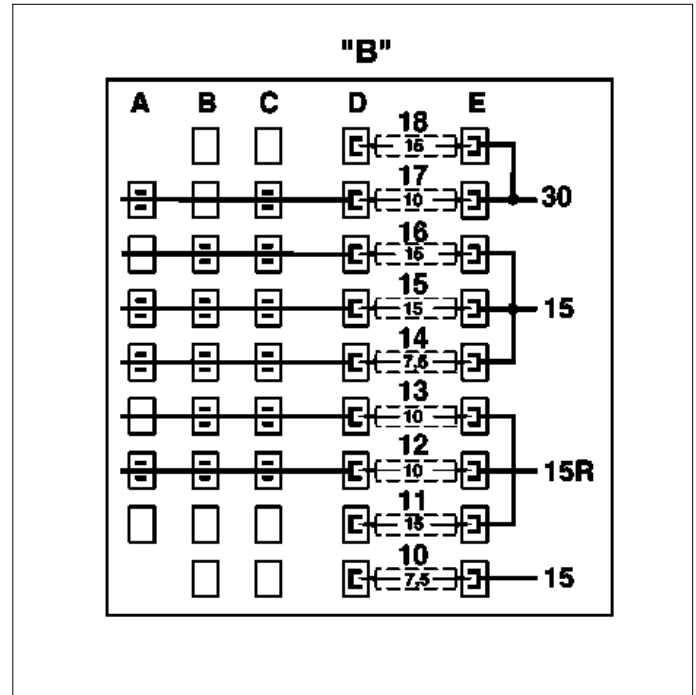


Fuse and relay box (F1)

"B" Fuse block for fuses 10 to 18 (reverse side)
A to E plug position



P54.15-0374-12

Fuse	Terminal	Color of unfused wire	Color of fused wire	Fused function	Bay	Rating in amperes (A)
10	15	1.0 mm ² pink/red	sw / rt ws (bk / rd wh)	Model 210.2: <ul style="list-style-type: none"> Rear-end door wiper motor relay (M6/4k1) Washer pump switchover relay (K26/2) 	10D	7.5
11	15R	bridged with fuse 12	sw / rt vi	Model 210.2: <ul style="list-style-type: none"> Cargo area connector box (X58/4) 	11D	15
12	15R	1.5 mm ² pink/yellow	sw / ws	Left and right front heated seats code 873: <ul style="list-style-type: none"> Front heated seat (HS) control unit (N25/5) Electric heated seats for left and right rear seat code 872: <ul style="list-style-type: none"> Rear heated seat (HS) control unit (N25/6) Left front seat belt comfort-fit solenoid (K18/4), right front seat belt comfort-fit solenoid (K18/5) Electric roller blind for rear window code 540a: <ul style="list-style-type: none"> Switch for electric roller blind for rear window (center console) (S79) 	12C 12B 12A	10
13	15R	bridged with fuse 12	sw / ge	Instrument cluster (A1): <ul style="list-style-type: none"> Airbag indicator and warning lamp (A1e15) Driver-side side airbag sensor (A53) Front passenger-side side airbag sensor (A54) Radio (A2) Auto pilot system (APS) code 351: <ul style="list-style-type: none"> Radio and navigation control panel (A2/29) Navigation processor (A2/30) 	13C 13B	10
14	15	bridged with fuse 15	sw / rt	Combination control unit (N10-1) CODE 220a Parktronic System (PTS). <ul style="list-style-type: none"> PTS control unit (N62) Infrared remote control control unit (IFZ) (N54)	14C 14B 14A	7.5

15	15	2.5 mm ² pink/red	black/purple	<p>Transmission 722:</p> <ul style="list-style-type: none"> ● Kickdown shutoff relay (N15), up to 31.5.96 ● Reversing lockout and park pawl blocking solenoid (Y66/1), as of 1.6.96 <p>Engine 104, 111:</p> <ul style="list-style-type: none"> ● Purge control valve (Y58/1) ● Camshaft timing solenoid (Y49) <p>Engines 604, 605 up to 31.5.96, Engine 606:</p> <ul style="list-style-type: none"> ● Preglow time-limit relay (N14) <p>Data link connector (X11/4), Pin 2</p> <p>Xenon headlamp lamp unit code 612b:</p> <ul style="list-style-type: none"> ● Headlamp range adjustment control unit (N71) 	15C 15B 15A	15
16	15	bridged with fuse 15	black / bl	<p>Automatic dimming inside rearview mirror code 249a:</p> <ul style="list-style-type: none"> ● Automatic dimming inside rearview mirror (H7) ● Infrared remote control receiver for inside rearview mirror (A26/7), up to 31.5.96 <p>Thermal switch for washer system heating (S26/1)</p> <p>Left and right outside mirror:</p> <ul style="list-style-type: none"> ● Outside mirror adjustment up/down (S21s6) ● Outside mirror adjustment to the left/right (S21s7) ● Left/right outside mirror switchover (S21s8) ● Left electrically adjustable and heated outside mirror (M21/1) ● Right electrically adjustable and heated outside mirror (M21/2) <p>Left and right outside mirror with memory code 501b:</p> <ul style="list-style-type: none"> ● Left mirror heater (M21/4r1) ● Right mirror heater (M21/5r1) <p>Left/right folding outside mirror code 500b:</p> <ul style="list-style-type: none"> ● Outside mirror switch with mirror fold-in/ fold-out facility (S50/1) 	16C 16B 16A 16A	15
17	30	1,0 mm ² red	red/blue	<p>Level control at the rear axle with ADS code 217a:</p> <ul style="list-style-type: none"> ● Steering angle sensor (N49) <p>Engine 606, up to 31.5.96:</p> <ul style="list-style-type: none"> ● Data link connector II (X11/22), Pin 16 <p>Data link connector (X11/4), Pin 3</p> <p>Infrared remote control control unit (IFZ) (N54), up to 31.5.96</p> <p>Infrared drive authorization system control unit (N54/1), as of 1.6.96</p>	17C 17B 17A	10
18	30	bridged with fuse 17	red/white	<p>Closing feedback relay (K54), as of 1.6.96</p>	18D	15