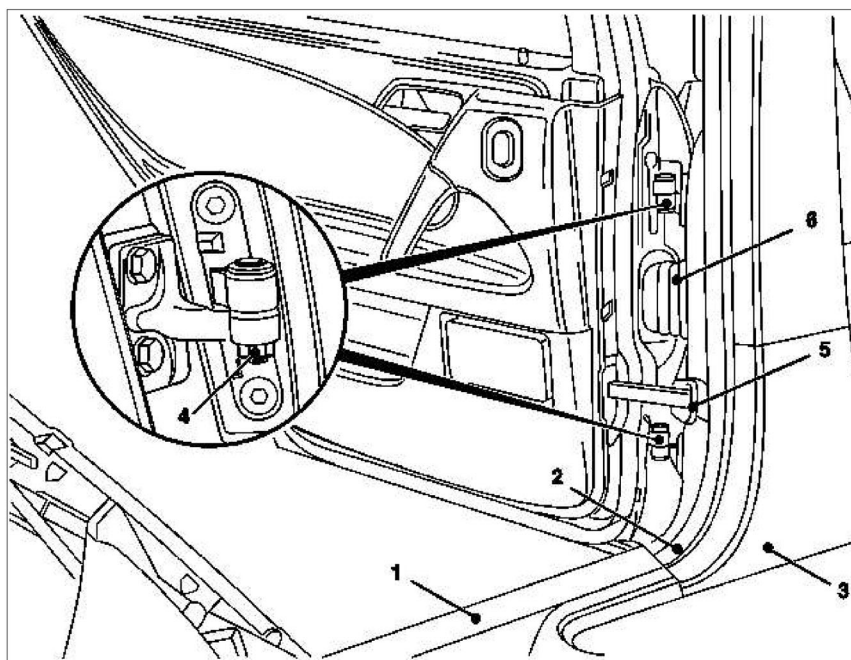


MODEL 210

- 1 Edge guard cover
- 2 Edge guard
- 3 Cover
- 4 Nut
- 5 Seal
- 6 Protective hose



P72.12-0201-06

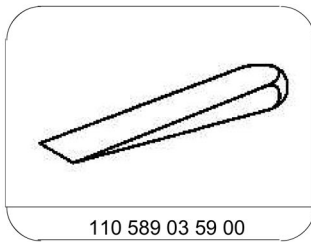
	Remove/Install		
1	Remove/install rear seat cushion		
2	Remove edge guard cover rail from front door entrance	Model 210.0	AR91.12-P-1700F *110589035900
3	Remove edge guard cover (1) from front door entrance	 Mounting screw is located below rear seat cushion	*110589035900
4	Loosen edge guard (2) from B-pillar on both sides in area of cover (3)		
5	Unclip cover (3) (4 clips) and remove	Do not remove clips, lift only slightly, for this purpose use screwdriver	
6	Lift floor carpeting in area of B-pillar and open cable duct		
7	Disconnect CL line and electrical connectors on front door in cable duct		
8	Unclip protective tube (6) from B-pillar		
9	Undo nuts (4)		*BA72.12-P-1001-01A
10	Remove seal (5) and unscrew bolt for door catch from B-pillar		*BA72.12-P-1002-01A
11	Lift rear door out of hinges, simultaneously pull CL line out of B-pillar and cable duct together with electrical lines.	Hold door with aid of 2nd person	
12	Set down rear door	Do not damage paintwork	
	When replacing a door, carry out seam sealing and cavity preservation	When replacing a door ↓ Check rubber seal for corrosion and clean if necessary Treat door frame in area of contact surface of rubber seal with MB body sealant	*BR00.45-Z-1003-05A
13	Install in the reverse order	 Check gaps all the way around after installation Model 210.0 Dimensions, if necessary ↓ Adjust rear door	AR60.00-P-0700-01F *BE60.00-P-1002-01A AR72.12-P-0650F

Test and adjustment values, gap dimensions at hoods, doors and covers

Number	Designation	Model 210.0	Model 210.2	
BE60.00-P-1002-01A	Gap dimension Front door to A-pillar	Dimension "B" mm	6.5 (±0.5)	6.5 (±0.5)
	Front door to fender	Dimension "H" mm	4.5 (±0.5)	4.5 (±0.5)
	Front door to rear door	Dimension "I" mm	5.5 (±0.5)	5.5 (±0.5)
	Front door to roof	Dimension "C" mm	6.5 (±0.5)	6.5 (±0.5)
	Rear door to upper side section	Dimension "D" mm	6.5 (±0.5)	-
	Rear door to lower side section	Dimension "J" mm	4.0 (±0.5)	4.0 (±0.5)
	Fender to A-pillar	Dimension "Q" mm	-	-
	Front door to rear fender	Dimension "P" mm	-	-
	Fig., see	AR60.00-P-0700-01F	AR60.00-P-0700-01FA	

Nm Rear door

Number	Designation	Model 210 except 210 with code 979, Z04, Z06
BA72.12-P-1001-01A	Bolts to door hinge	Nm 37
BA72.12-P-1002-01A	Bolt at door catch	Nm 35



110 589 03 59 00

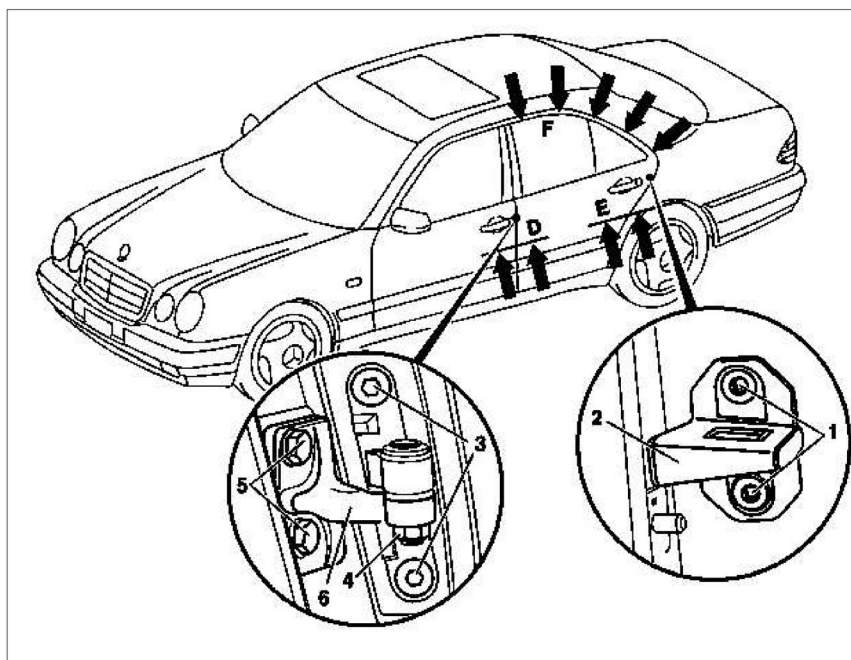
Mounting wedge

Repair materials





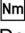

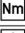

Number	Designation	Order number
BR00.45-Z-1003-05A	Cavity preservation, solvent-free (1 l container)	A 000 986 72 70 05

MODEL 210

- 1 Bolts for striker eye
- 2 Striker eye
- 3 Bolts for inner door panel
- 4 Nut
- 5 Bolts for B-pillar
- 6 Hinge



P72.12-0202-06

	Adjust		
1	Remove striker eye (2)		
2	Check gap dimensions at door all the way around	  Gaps dimensions at hoods, doors and covers ↓ Model 210.0 Model 210.2	*129589032100 AR60.00-P-0700-01F AR60.00-P-0700-01FA
3	Loosen bolts (5) on B-pillar, tighten and adjust by moving rear door, adjust gaps	  After adjustment seal rear door hinge on B-pillar	*BA72.12-P-1001-01A
4	Loosen bolts (3), tighten and adjust contour on hinge side by moving rear door	 Door paneling (D) should be flush with the driver's door contour or should be located max. 1 mm deeper	*BA72.12-P-1001-01A
5	Bolt on striker eye	 Do not tighten	
6	Close rear door completely and adjust contour on striker eye by moving striker eye	Door paneling (E) should be flush with the contour of the rear fender or should extend max. 1 mm	
7	Tighten striker eye		*BA72.12-P-1003-01A
8	Check contour and fit on window frame (F) to roof paneling and rear pillar, adjust if necessary	 The outer sealing of the door sealing frame should be flush with the edge of the roof paneling	
9	Check rear door for easy motion		

Test and adjustment values, gap dimensions at hoods, doors and covers

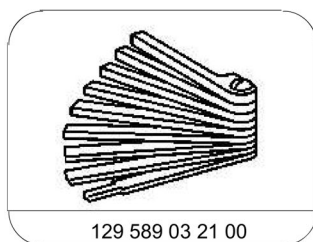
Number	Designation	Model 210.0	Model 210.2
BE60.00-P-1002-01A	Gap dimension Front door to A-pillar	Dimension "B" mm 6.5 (±0.5)	6.5 (±0.5)
	Front door to fender	Dimension "H" mm 4.5 (±0.5)	4.5 (±0.5)
	Front door to rear door	Dimension "I" mm 5.5 (±0.5)	5.5 (±0.5)

	Front door to roof	Dimension "C"	mm	6.5 (±0.5)	6.5 (±0.5)
	Rear door to upper side section	Dimension "D"	mm	6.5 (±0.5)	-
	Rear door to lower side section	Dimension "J"	mm	4.0 (±0.5)	4.0 (±0.5)
	Fender to A-pillar	Dimension "Q"	mm	-	-
	Front door to rear fender	Dimension "P"	mm	-	-
		Fig., see		AR60.00-P-0700-01F	AR60.00-P-0700-01FA

Nm Rear door

Number	Designation		Model 210 except 210 with code 979, Z04, Z06
BA72.12-P-1001-01A	Bolts to door hinge	Nm	37
BA72.12-P-1003-01A	Bolts to striker eye	Nm	32

Special tools



Feeler gage

AR60.00-P-0700-01F	Gap dimensions on hoods, doors and lids		
--------------------	---	--	--

MODEL 210.0

Test and adjustment values for gap dimensions at hoods, doors and covers

Number	Designation			MODEL 210.0
BE60.00-P-1001-01A	Gap dimension	Engine hood to fender	Dimension "A" mm	4,0 (±0,5)
		Engine hood to headlamp	Dimension "R" mm	–
		Engine hood to radiator grille	Dimension "O" mm	–
		Radiator grille to headlamp	Dimension "N" mm	–
			For picture, see	AR60.00-P-0700-01 F

Test and adjustment values for gap dimensions at hoods, doors and covers

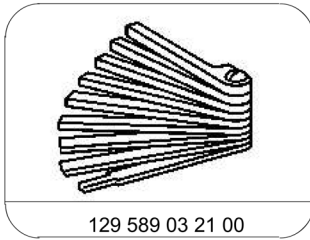
Number	Designation			MODEL 210.0
BE60.00-P-1002-01A	Gap dimension	Front door to A-pillar	Dimension "B" mm	6,5 (±0,5)
		Front door to fender	Dimension "H" mm	4,5 (±0,5)
		Front door to rear door	Dimension "I" mm	5,5 (±0,5)
		Front door to roof	Dimension "C" mm	6,5 (±0,5)
		Rear door to side section, top	Dimension "D" mm	6,5 (±0,5)
		Rear door to side section, bottom	Dimension "J" mm	4,0 (±0,5)
		Fender to A-pillar	Dimension "Q" mm	–
		Front door to rear fender	Dimension "P" mm	–
			For picture, see	AR60.00-P-0700-01 F

Test and adjustment values for gap dimensions at hoods, doors and covers

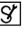
Number	Designation			MODEL 210.0
BE60.00-P-1003-01A	Gap dimension	Trunk lid to rear fender, top	Dimension "F" mm	4,5 (±0,5)
		Trunk lid to rear fender, bottom	Dimension "M" mm	4,5 (±0,5)
		Trunk lid to rear fender	Dimension "F" mm	–
		Trunk lid to taillamp	Dimension "M" mm	–
		Trunk lid to bumper	Dimension "V" mm	–
		Rear fender to taillamp	Dimension "U" mm	–
			For picture, see	AR60.00-P-0700-01 F

Test and adjustment values for gap dimensions at hoods, doors and covers

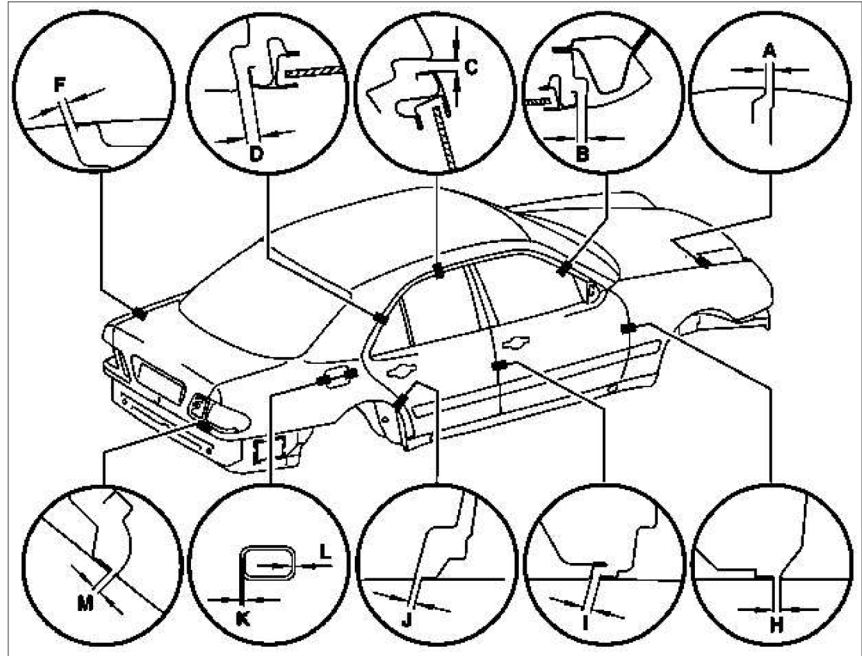
Number	Designation			MODEL 210.0
BE60.00-P-1005-01A	Gap dimension	Fuel filler flap	Dimension "K" mm	4,0
			For picture, see	AR60.00-P-0700-01 F
			Dimension "L" mm	4,5



Feeler gauge

- Adjust hoods, doors and lids as shown in drawing .

i The gap should not run wedge-shaped or be too narrow at points. Deviations from parallel gap should be max. 0.5 mm over the entire length. If the inside clearance is too large or too small, the movable body parts must be centered accordingly. The reference measurements apply only for repair work on bodies damaged in accidents.



P60.00-0480-06

AR60.00-P-0700-01F	Gap dimensions on hoods, doors and lids		
--------------------	---	--	--

MODEL 210.0

Test and adjustment values for gap dimensions at hoods, doors and covers

Number	Designation			MODEL 210.0
BE60.00-P-1001-01A	Gap dimension	Engine hood to fender	Dimension "A" mm	4,0 (±0,5)
		Engine hood to headlamp	Dimension "R" mm	–
		Engine hood to radiator grille	Dimension "O" mm	–
		Radiator grille to headlamp	Dimension "N" mm	–
			For picture, see	AR60.00-P-0700-01 F

Test and adjustment values for gap dimensions at hoods, doors and covers

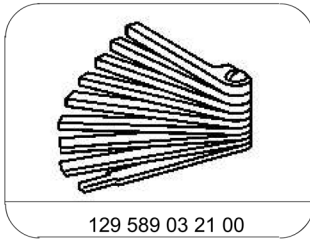
Number	Designation			MODEL 210.0
BE60.00-P-1002-01A	Gap dimension	Front door to A-pillar	Dimension "B" mm	6,5 (±0,5)
		Front door to fender	Dimension "H" mm	4,5 (±0,5)
		Front door to rear door	Dimension "I" mm	5,5 (±0,5)
		Front door to roof	Dimension "C" mm	6,5 (±0,5)
		Rear door to side section, top	Dimension "D" mm	6,5 (±0,5)
		Rear door to side section, bottom	Dimension "J" mm	4,0 (±0,5)
		Fender to A-pillar	Dimension "Q" mm	–
		Front door to rear fender	Dimension "P" mm	–
			For picture, see	AR60.00-P-0700-01 F

Test and adjustment values for gap dimensions at hoods, doors and covers

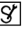
Number	Designation			MODEL 210.0
BE60.00-P-1003-01A	Gap dimension	Trunk lid to rear fender, top	Dimension "F" mm	4,5 (±0,5)
		Trunk lid to rear fender, bottom	Dimension "M" mm	4,5 (±0,5)
		Trunk lid to rear fender	Dimension "F" mm	–
		Trunk lid to taillamp	Dimension "M" mm	–
		Trunk lid to bumper	Dimension "V" mm	–
		Rear fender to taillamp	Dimension "U" mm	–
			For picture, see	AR60.00-P-0700-01 F

Test and adjustment values for gap dimensions at hoods, doors and covers

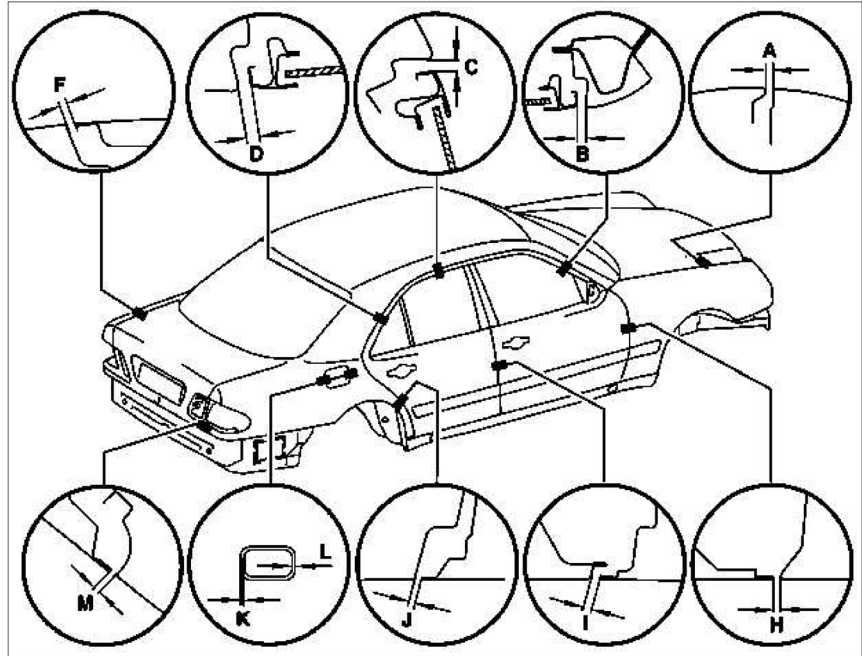
Number	Designation			MODEL 210.0
BE60.00-P-1005-01A	Gap dimension	Fuel filler flap	Dimension "K" mm	4,0
			For picture, see	AR60.00-P-0700-01 F
			Dimension "L" mm	4,5



Feeler gauge

- 1 Adjust hoods, doors and lids as shown in drawing 

i The gap should not run wedge-shaped or be too narrow at points. Deviations from parallel gap should be max. 0.5 mm over the entire length. If the inside clearance is too large or too small, the movable body parts must be centered accordingly. The reference measurements apply only for repair work on bodies damaged in accidents.



P60.00-0480-06