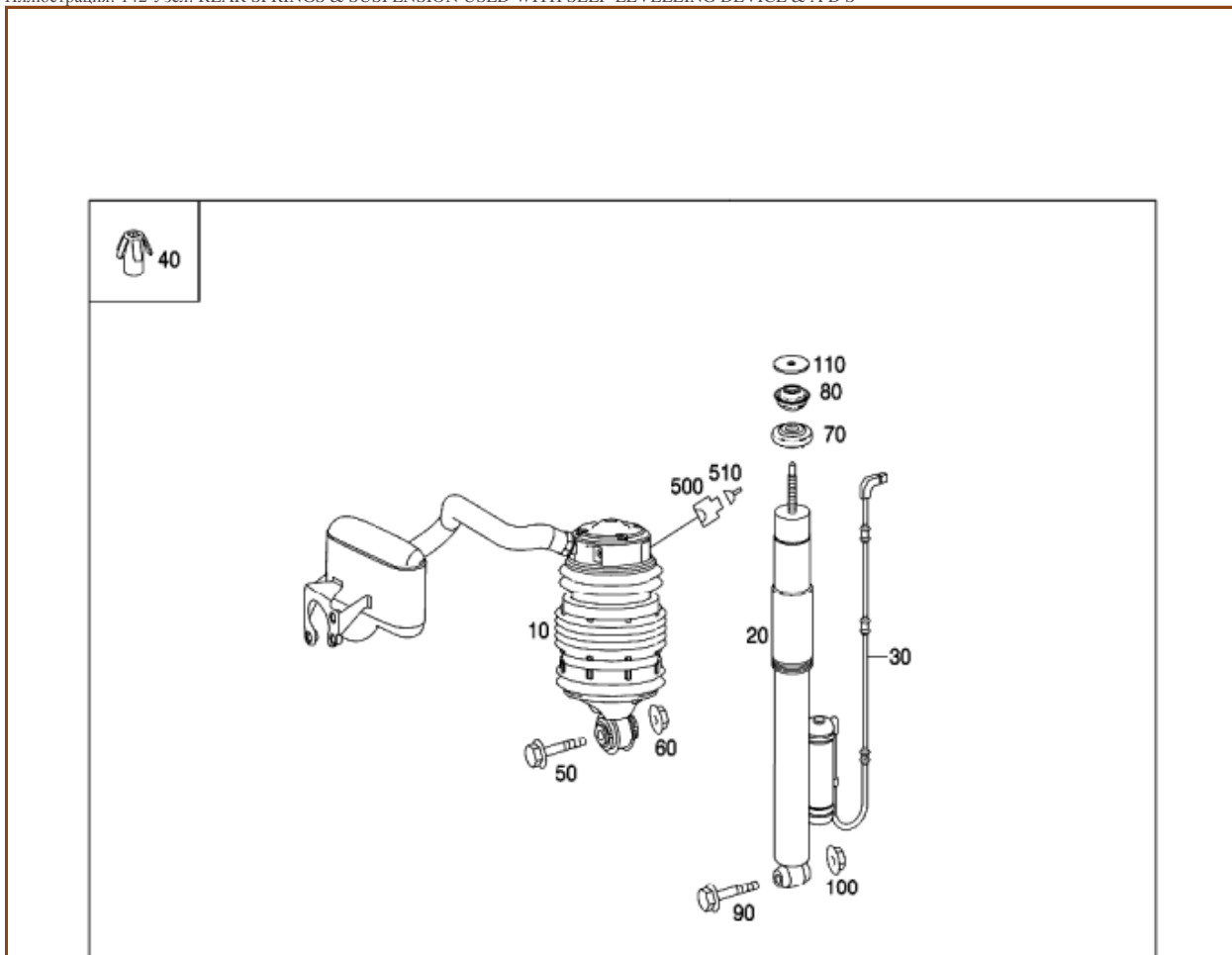


Модель / Системы / Узел: 32 SPRINGS, SUSPENSION AND HYDRAULIC SYSTEM

Модель=211065 Каталог=64U Система: 32 SPRINGS, SUSPENSION AND HYDRAULIC SYSTEM

Иллюстрация: 142 Узел: REAR SPRINGS & SUSPENSION USED WITH SELF-LEVELLING DEVICE & A D S



№	Код	Замена	К-во	Вар-т	Название	Информация	Примечания
010	<a href="#">2113200725</a>		001		AIR SPRING	REAR LEFT	
010	<a href="#">2113200825</a>		001		AIR SPRING	REAR RIGHT	
020	<a href="#">2113260100</a>		002		SHOCK ABSORBER	LEFT AND RIGHT	
030	<a href="#">2115407105</a>		001		CABLE HARNESS	AIR SUSPENSION TO REAR AXLE, LEFT	
030	<a href="#">2115407105</a>		001		CABLE HARNESS	AIR SUSPENSION TO REAR AXLE, RIGHT	
040	<a href="#">2113280058</a>		002		SEAL HOLDER	FASTENING ELEMENT BETWEEN BODY AND SPRING ELEMENT	
050	<a href="#">910105014014</a>		002		SCREW	BRACKET AND AIR SPRING TO SPRING LINK	M14X1,5X140
060	<a href="#">913023014003</a>		002		NUT	BRACKET AND AIR SPRING TO SPRING LINK	M14X1,5
070	<a href="#">2103260468</a>		002		RUBBER BUFFER	BUMPER TO BODY	
080	<a href="#">2023260168</a>		002		RUBBER BUFFER	BUMPER TO BODY	
090	<a href="#">910105010015</a>		002		SCREW	SHOCK ABSORBER TO SPRING CONTROL ARM	M10X110
100	<a href="#">913023010002</a>		002		NUT	SHOCK ABSORBER TO SPRING CONTROL ARM	M10
----	<a href="#">910113010003</a>		002		NUT	BUMPER TO BODY	M10
110	<a href="#">2023260076</a>		002		WASHER	BUMPER TO BODY	
500	<a href="#">2205400681</a>		001		PIN BUSHING HOUSING	VALVE UNIT AIRMATIC, SUSPENSION STRUT REAR	3-PIN;(Y53/1+Y54/1)
510	<a href="#">0085456326</a>		NB		CONTACT BUSHING		0.75MM2