

The following variants exist on the front axle:
One contact sensor, two contact sensors, or four contact sensors.

The following variants exist on the rear axle:
No contact sensor, one contact sensor, two contact sensors, or four contact sensors.
Vehicles with ETS, ESP or ASR are equipped with contact sensors for the brake wear indicator.

When installing new brake pads, the same number of contact sensors must be installed in the same position as were initially installed.

If only one contact sensor is installed on a brake caliper, this must be re-installed at the same brake pad and in the same position.



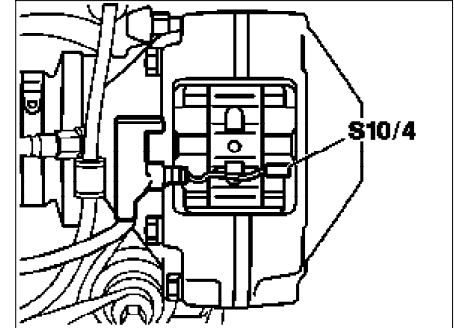
As a result of moisture, unconnected contact sensors cause the brake pad wear warning lamp to light up.



The contact sensor line must be routed as shown in the Figure. Only transparent (temperature-resistant) contact sensors must be installed at the rear axle.

Illustrated on model 129

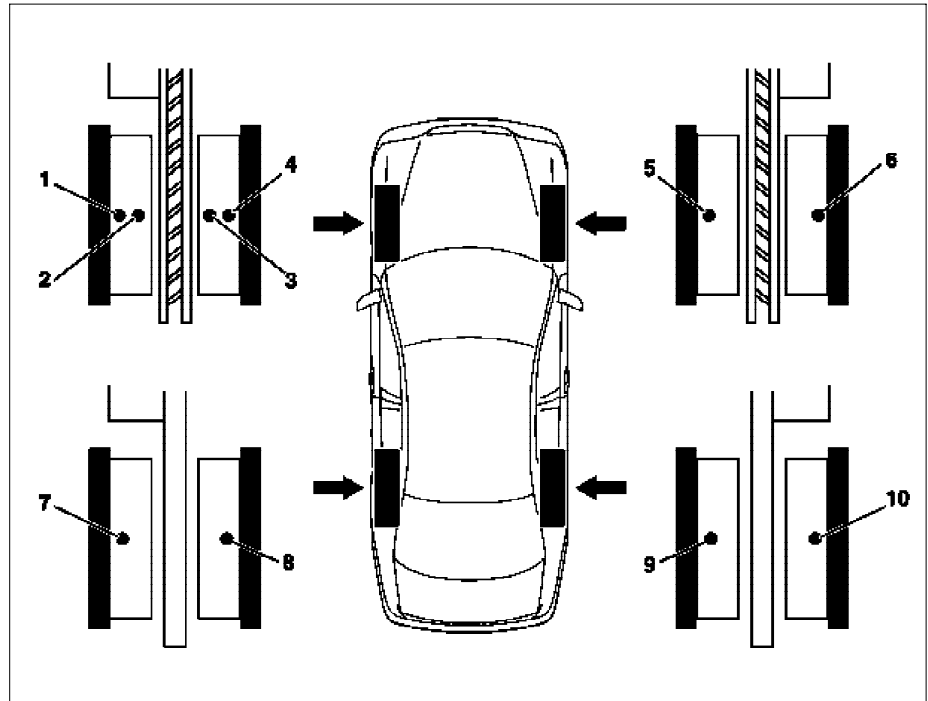
S10/4 Right rear brake pad contact sensor



P42.40-0205-01

Position of contact sensors (does not apply to model 163 or model 690.6)

Due to the simplification of replacement parts, the brake pads must be installed such that the contact sensors can be installed in the relevant installation positions. The installation positions of the contact sensors are listed in the following table.



P42.10-2231-06

| Model 129 | Version | Front axle | | | | Rear axle | | | |
|--------------|----------|------------|---|---|---|-----------|---|---|----|
| | | 1 | 4 | 5 | 6 | 7 | 8 | 9 | 10 |
| up to 6/94 | E28, E32 | D | D | D | D | | | | |
| 7/94 to 6/96 | E28, E32 | D | | | D | | | | |
| as of 7/96 | E28, E32 | | D | D | | | | | D |
| up to 6/94 | E50, E60 | D | D | D | D | D | D | D | D |
| 7/94 to 6/96 | E50, E60 | D | | | D | D | D | D | D |
| as of 7/96 | E50, E60 | D | | | D | | | | D |

| Model 140 | Version | Front axle | | | | Rear axle | | | |
|--------------|------------------|------------|---|---|---|-----------|---|---|----|
| | | 1 | 4 | 5 | 6 | 7 | 8 | 9 | 10 |
| up to 6/94 | all | D | D | D | D | | | | |
| 7/94 to 6/95 | without ETS, ASR | D | | | D | | | | |
| 7/94 to 6/95 | with ETS, ASR | D | | | D | | | | D |
| as of 7/95 | all | D | | | D | | | | |

| Model 168 | Version | Front axle | | | | Rear axle | | | |
|-----------|---------|------------|---|---|---|-----------|---|---|----|
| | | 1 | 4 | 5 | 6 | 7 | 8 | 9 | 10 |
| | all | | | | D | | | | |

| Model 170 | Version | Front axle | | | | Rear axle | | | |
|------------|------------|------------|---|---|---|-----------|---|---|----|
| | | 1 | 4 | 5 | 6 | 7 | 8 | 9 | 10 |
| up to 6/96 | E20, E20ML | D | | | D | | | | |
| as of 7/96 | E20, E20ML | | D | D | | | | | |
| | E23ML | | D | D | | | | | |
| | E32, E32ML | D | | | D | | | | |

| Model 171 | Version | Front axle | | | | Rear axle | | | |
|-----------|---------|------------|---|---|---|-----------|---|---|----|
| | | 1 | 4 | 5 | 6 | 7 | 8 | 9 | 10 |
| | 171.442 | | | D | | | | | |
| | 171.456 | | | D | | | | | D |

| Model 202 | Version | Front axle | | | | Rear axle | | | |
|--------------|---|------------|---|---|---|-----------|---|---|----|
| | | 1 | 4 | 5 | 6 | 7 | 8 | 9 | 10 |
| up to 6/94 | with ASR | D | D | D | D | D | D | D | D |
| 7/94 to 6/95 | with ASR | D | | | D | D | | | |
| up to 6/95 | without ASR | D | | | D | | | | |
| 7/95 to 6/96 | E18, E20, E23, E24, E28, E43AMG, D20, D22, DE22LA | D | | | D | | | | |
| 7/95 to 6/96 | E20ML, E23ML, D25LA | | D | D | | | | | |
| as of 7/96 | E18, E20, E23, D20, D22, DE22LA | D | | | D | | | | |
| as of 7/96 | E20ML, E23ML, E24, E28, D25LA | | D | D | | | | | |

| Model 203 | Version | Front axle | | | | Rear axle | | | |
|------------|-------------------|------------|---|---|---|-----------|---|---|----|
| | | 1 | 4 | 5 | 6 | 7 | 8 | 9 | 10 |
| up to 3/01 | except E32, E32ML | | D | D | | | | | |
| up to 3/01 | E32 | | D | D | | | | | D |
| up to 3/01 | E32ML | D | | | D | D | | | D |
| as of 4/01 | except E32, E32ML | | | D | | | | | |
| as of 4/01 | E32 | | | D | | | | | D |
| as of 4/01 | E32ML | D | | | D | | | | D |

| Model 208 | Version | Front axle | | | | Rear axle | | | |
|-----------|------------|------------|---|---|---|-----------|---|---|----|
| | | 1 | 4 | 5 | 6 | 7 | 8 | 9 | 10 |
| | except E43 | | D | D | | | | | |
| | E43 | D | | | D | | | | D |

| Model 209 | Version | Front axle | | | | Rear axle | | | |
|-----------|------------|------------|---|---|---|-----------|---|---|----|
| | | 1 | 3 | 4 | 5 | 7 | 8 | 9 | 10 |
| | E20, E20ML | | | D | | | | | |
| | E32 | | | D | | | | | D |
| | DE27LA | | | D | | | | | |
| | E50 | | | | D | | | | D |

| Model 210 | Version | Front axle | | | | Rear axle | | | |
|------------|------------------------|------------|---|---|---|-----------|---|---|----|
| | | 1 | 4 | 5 | 6 | 7 | 8 | 9 | 10 |
| up to 6/96 | with ASR except E42 | D | | | D | | | | |
| up to 6/96 | without ASR except E42 | | D | D | | | | | |
| up to 6/96 | E42 with ASR | | D | D | | | | | D |
| up to 6/96 | E42 without ASR | D | | | D | | | | D |
| as of 7/96 | except E43, E55AMG | | D | D | | | | | |
| as of 7/96 | E43, E55AMG | D | | | D | | | | D |

| Model 211 | Version | Front axle | | | | | | Rear axle | | | |
|-------------|--------------------|------------|---|---|---|---|---|-----------|---|---|----|
| | | 1 | 2 | 3 | 4 | 5 | 6 | 7 | 8 | 9 | 10 |
| up to 10/02 | all | | D | | | | D | | | D | |
| as of 11/02 | except E50, DE40LA | | D | | | | D | | | D | |
| as of 11/02 | E50, DE40LA | | | D | | | D | | | D | |

| Model 219 | Version | Front axle | | | | | | Rear axle | | | |
|-----------|---------|------------|---|---|---|---|---|-----------|---|---|----|
| | | 1 | 2 | 3 | 4 | 5 | 6 | 7 | 8 | 9 | 10 |
| | 219.356 | | D | | | | D | | | D | |
| | 219.375 | | D | | | | D | | | D | |

| Model 215 | Version | Front axle | | | | Rear axle | | | |
|------------|---------|------------|---|---|---|-----------|---|---|----|
| | | 1 | 4 | 5 | 6 | 7 | 8 | 9 | 10 |
| up to 8/02 | all | D | | | D | | | | D |
| as of 9/02 | all | | | | D | | | | D |

| Model 220 | Version | Front axle | | | | Rear axle | | | |
|------------|---------|------------|---|---|---|-----------|---|---|----|
| | | 1 | 4 | 5 | 6 | 7 | 8 | 9 | 10 |
| up to 8/02 | all | D | | | D | | | | D |
| as of 9/02 | all | | | | D | | | | D |

| Model 230 | Version | Front axle | | | | Rear axle | | | |
|------------|---------|------------|---|---|---|-----------|---|---|----|
| | | 1 | 4 | 5 | 6 | 7 | 8 | 9 | 10 |
| up to 8/02 | all | D | | | D | | | | D |
| as of 9/02 | all | | | | D | | | | D |

| Model 240 | Version | Front axle | | | | Rear axle | | | |
|-----------|---------|------------|---|---|---|-----------|---|---|----|
| | | 1 | 4 | 5 | 6 | 7 | 8 | 9 | 10 |
| | all | D | | | D | | | | D |