
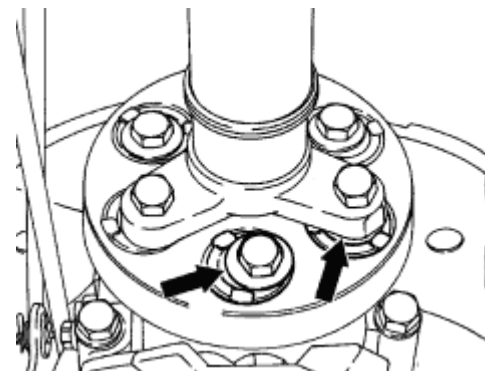


| | | | |
|---------------------|--|-----------|--|
| AP41.10-P-4152-01ZA | Check spacers of flexible couplings in vicinity of fitted sleeves | Model 211 | |
|---------------------|--|-----------|--|

1 Check spacers in vicinity of fitted sleeves (arrows) for cracks (visual inspection).

2 If there is evidence of deformation, relieve stress from propeller shaft. If the deformation is permanent, the flexible coupling must be replaced as a separate repair order.

 If there are cracks or permanent deformations, replace flexible coupling as a separate repair order.



P41.10-0038-01