

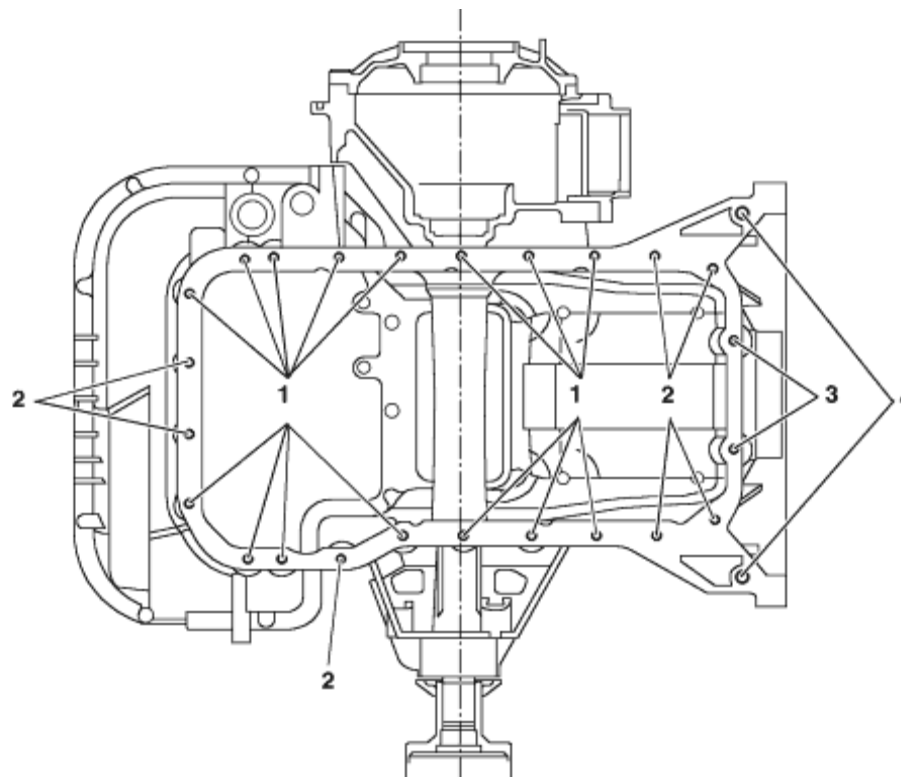
AR01.45-P-7500-06F

Oil pan bolt diagram

Engines 112, 113

**Upper part of oil pan shown on engine  
112 with 4 MATIC**

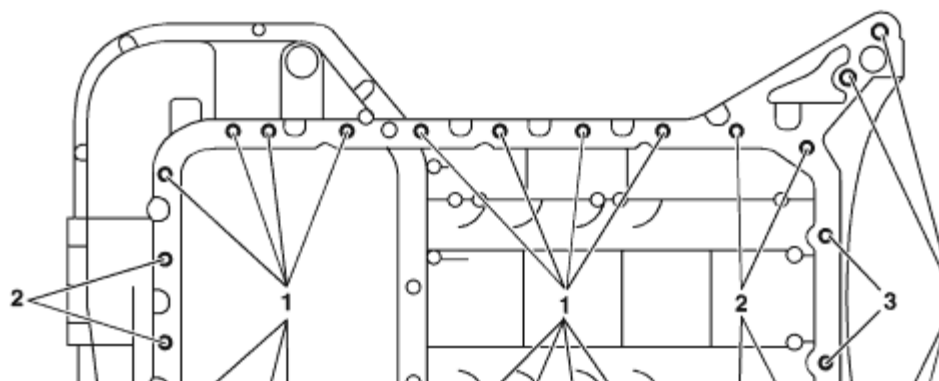
- 1 Bolt M6×20
- 2 Bolt M6×40
- 3 Bolt M6×85
- 4 Bolt M8×30



P01.45-0233-06

**Upper part of oil pan shown on engine  
112 without 4 MATIC**

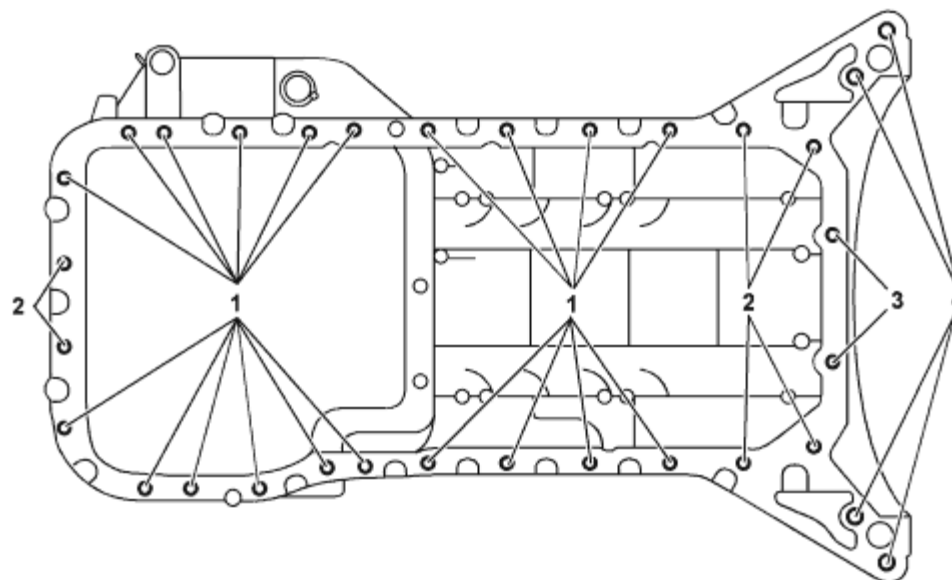
- 1 Bolt M6×20
- 2 Bolt M6×40
- 3 Bolt M6×90
- 4 Bolt M8×30



P01.45-0236-05

**Upper part of oil pan shown on engine  
113**

- 1 Bolt M6×20
- 2 Bolt M6×40
- 3 Bolt M6×90
- 4 Bolt M8×30



P01.45-0258-05