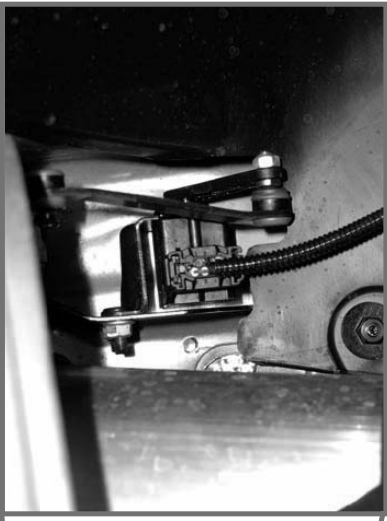
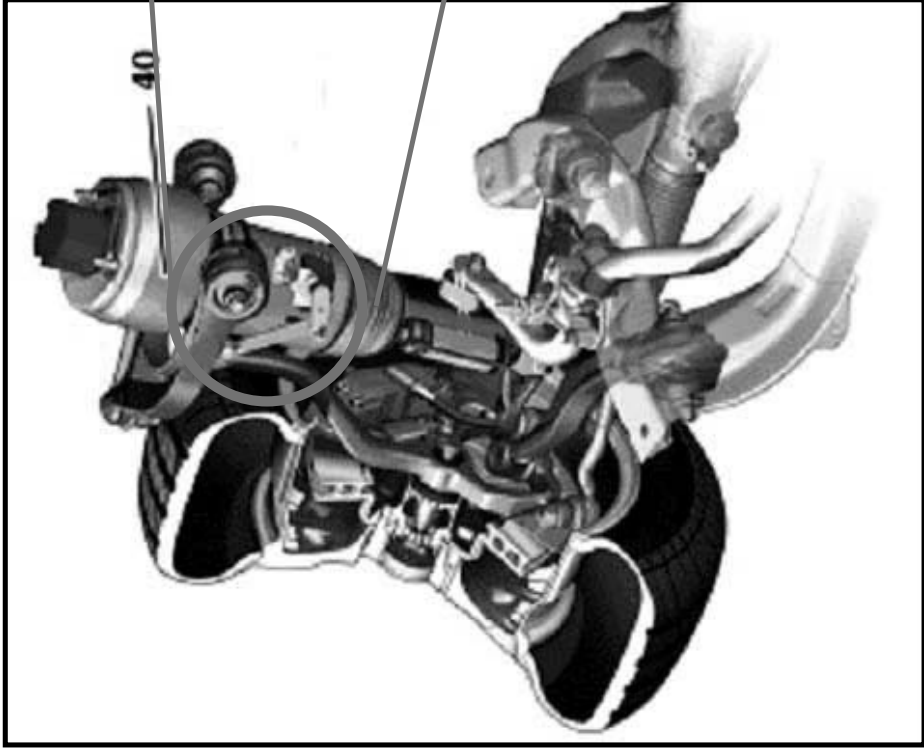


Electrical Components / Legend

A1p13	- IC multifunction display	N72s18	- Level adjustment switch
A9/1	- SAS compressor unit	N72s25	- Comfort / sport switch
B7	- SAS pressure sensor	Y51	- LF ADS dampening valve
B22/3	- Rear level sensor	Y51/1	- LF SAS valves
B22/8	- LF axle level sensor	Y52	- RF ADS dampening valve
B22/9	- RF axle level sensor	Y52/1	- RF SAS valves
B24/3	- LF body acceleration sensor	Y53	- LR ADS dampening valve
B24/4	- RF body acceleration sensor	Y53/1	- LR SAS valves
B24/6	- Rear body acceleration sensor	Y54	- RR ADS dampening valves
N49	- Steering angle sensor	Y54/1	- RR SAS valves
N51	- SAS control module		

Front Level Sensors (B22/8,9)

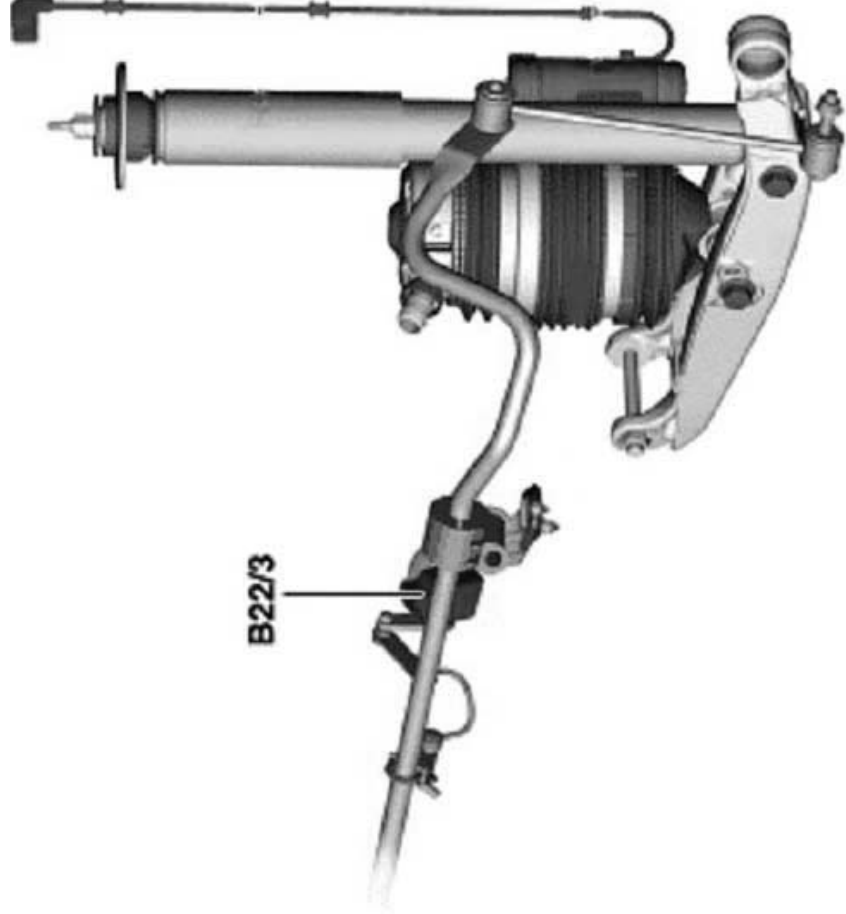


Each sensor contains:

- 2 Hall effect sensors
- Redundant signal

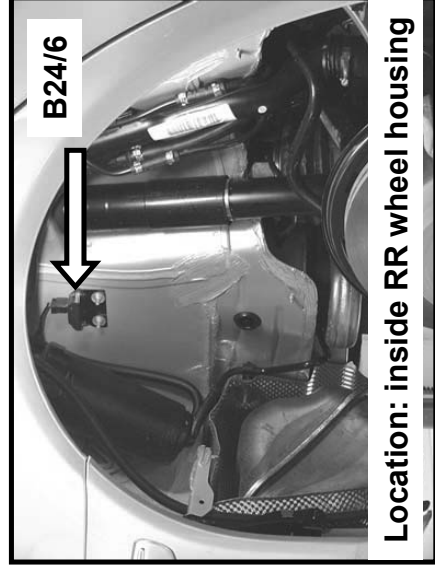
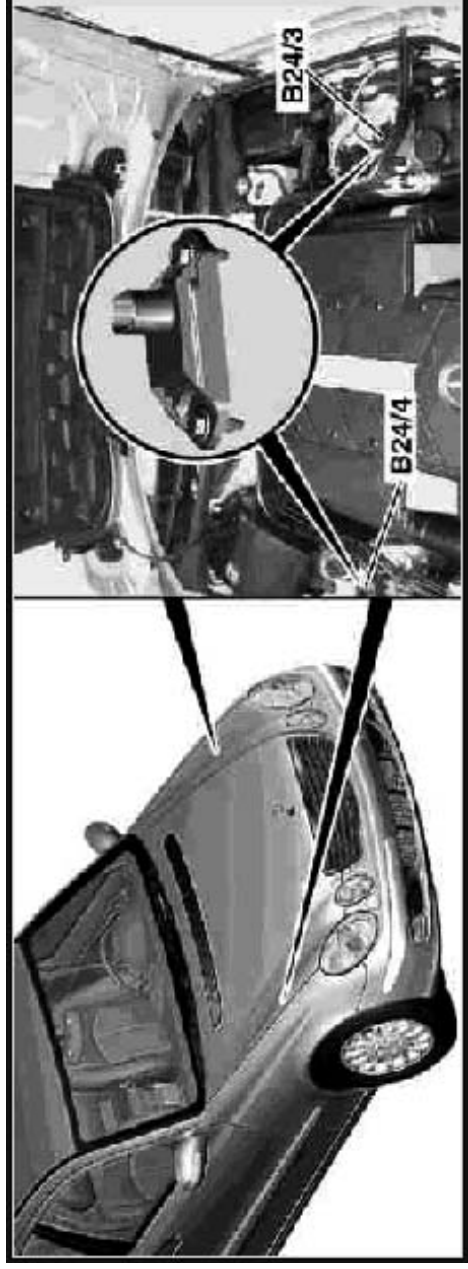
Location: Front upper control arm

Rear Level Sensor (B222/3)



Location: Rear stabilizer bar

Body Acceleration Sensors (B24/3,4,6)



- Measures vertical oscillations of the chassis
- Translates mechanical movements into voltage signals
- Influences ADS II dampening functions