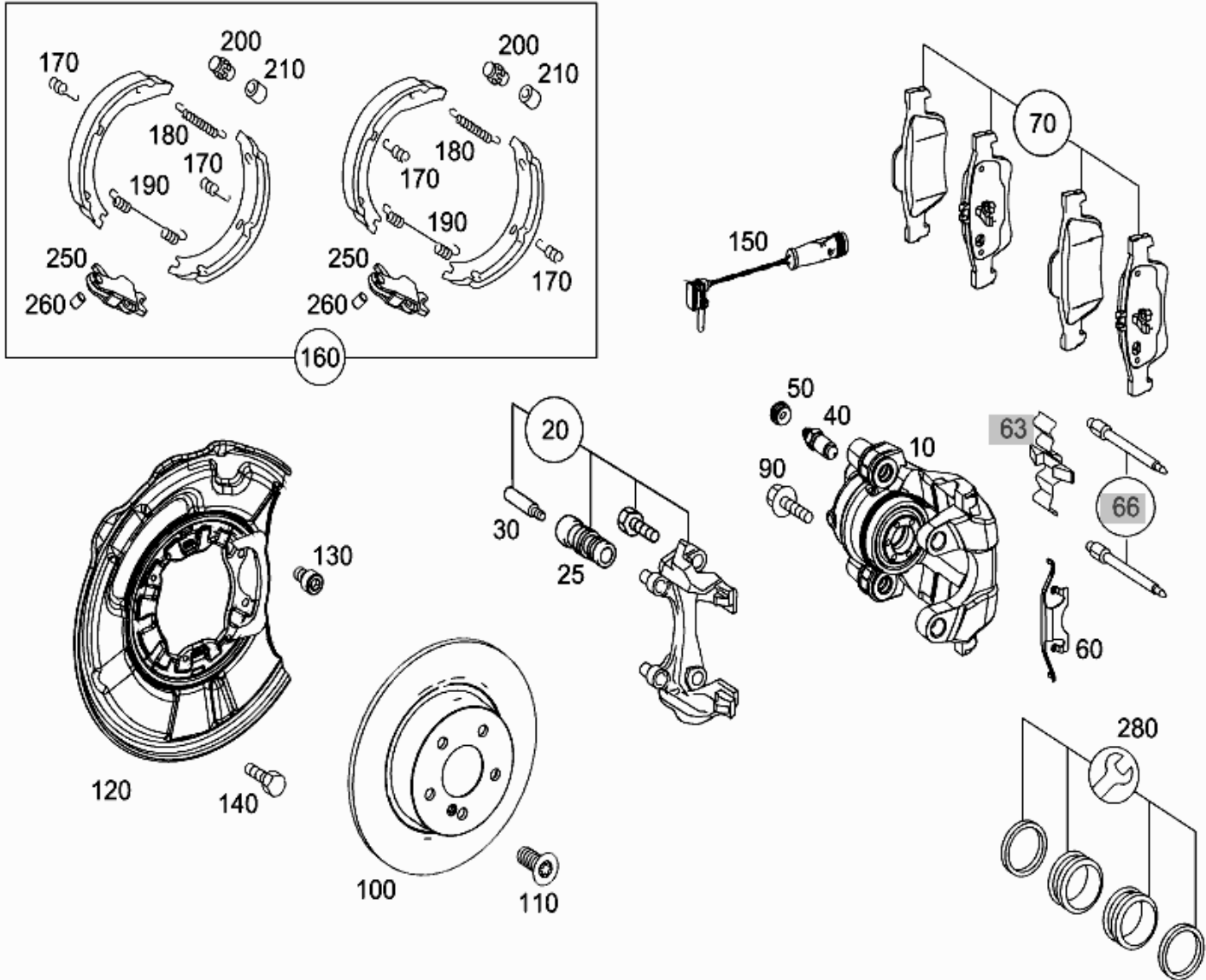






- Picture -

Mode	MD mode	Mod. des. overview	E SEDAN
FIN/MD	WDB 2110561B386518	Catalog	65H
VIN	WDBUF56X29B386518	Major assembly	
Sales designation	E 350	Major assembly MD	
Assortment class	Car	Group	42 - BRAKES
Market	North America	Subgroup	045 - REAR WHEEL BRAKE
Picture number	B42045000119.120425		



- Parts list -

Mode	MD mode	Mod. des. overview	E SEDAN
FIN/MD	WDB 2110561B386518	Catalog	65H
VIN	WDBUF56X29B386518	Major assembly	
Sales designation	E 350	Major assembly MD	
Assortment class	Car	Group	42 - BRAKES
Market	North America	Subgroup	045 - REAR WHEEL BRAKE

Item no.	Part number	Designation/description	Quantity	Version
10	A 002 420 27 83	TS BRAKE CALIPER LEFT Code: 494  [005] From Chassis: A 870951 From Date: 19/08/2005	001	
10	A 002 420 28 83	TS BRAKE CALIPER RIGHT Code: 494  [005] From Chassis: A 870951 From Date: 19/08/2005	001	
10	A 002 420 27 83	TS BRAKE CALIPER LEFT Code: 950/951/952	001	
10	A 002 420 28 83	TS BRAKE CALIPER RIGHT Code: 950/951/952	001	
20	A 000 420 52 15	BRAKE ANCHOR PARTS KIT Code: 494  [005] From Chassis: A 870951 From Date: 19/08/2005	002	
20	A 000 420 52 15	BRAKE ANCHOR PARTS KIT Code: 950/951/952	002	
25	A 000 420 07 76	PROTECTIVE SLEEVE PIN Code: 494	002	
25	A 000 420 07 76	PROTECTIVE SLEEVE PIN Code: 950/951/952	002	
30	A 000 421 10 18	BRAKE SHOE BEARING PIN BRAKE ANCHOR Code: 494	004	
30	A 000 421 10 18	BRAKE SHOE BEARING PIN BRAKE ANCHOR Code: 950/951/952	004	
40	A 000 420 94 55	BLEEDER VALVE CALIPER Code: 494	002	
50	A 000 421 08 87	. DUST CAP BREATHER VALVE Code: 494	002	
50	A 000 421 08 87	. DUST CAP BREATHER VALVE Code: 950/951/952	002	
60	A 000 421 85 91	RETAINING SPRING CALIPER Code: 494	002	
60	A 000 421 85 91	RETAINING SPRING CALIPER Code: 950/951/952	002	
70	A 004 420 44 20	TS BRAKE PAD PARTS KIT, WITHOUT WEAR SENSOR Code: 494  [431] WHEN SELLING BRAKE LININGS TO END USERS/DESK BUYERS TH...	001	

70	A 004 420 44 20	TS BRAKE PAD PARTS KIT, WITHOUT WEAR SENSOR Code: 950/951/952 [431] WHEN SELLING BRAKE LININGS TO END USERS/DESK BUYERS TH...	001
90	A 124 421 05 71	HEXAGON HEAD BOLT CALIPER TO WHEEL BEARING M12X1.5X35	004
100	A 211 423 09 12	BRAKE DISC REAR AXLE, "VENTILATED" Code: 494 [005] From Chassis: A 870951 From Date: 19/08/2005	002
100	A 211 423 09 12	BRAKE DISC REAR AXLE, "VENTILATED" Code: 951	002
110	A 220 421 01 71	FITTED BOLT BRAKE DISC TO WHEEL HUB M8X12	002
120	A 230 420 13 44	PROTECTIVE PLATE REAR LEFT	001
120	A 230 420 14 44	PROTECTIVE PLATE REAR RIGHT	001
130	N 000000 005943	SCREW GUARD TO WHEEL CARRIER LEFT M6X12	002
130	N 000000 005943	SCREW GUARD TO WHEEL CARRIER RIGHT M6X12	002
140	A 220 423 03 71	BOLT SPREAD LOCK CONTACT AREA AND COVER TO WHEEL CARRIER, LEFT M8X12	002
140	A 220 423 03 71	BOLT SPREAD LOCK CONTACT AREA AND COVER TO WHEEL CARRIER, RIGHT M8X12	002
150	A 211 540 17 17	BRAKE WEAR SENSOR BRAKE WEAR INDICATOR, REAR AXLE, RIGHT	001
160	A 230 420 03 20	BRAKE SHOE PARTS KIT [431] WHEN SELLING BRAKE LININGS TO END USERS/DESK BUYERS TH...	001
170	A 230 423 00 92	. SPRING BRAKE PAD TO COVER PLATE	004
180	A 210 423 00 92	. EXTENSION SPRING BRAKE SHOE PULL-BACK	002
190	A 171 423 00 92	. EXTENSION SPRING BRAKE SHOE PULL-BACK	002
200	A 201 420 03 73	. ADJUSTING SCREW BRAKE SHOE ADJUSTMENT	002
210	A 124 423 00 50	. SUPPORTING BUSH BRAKE SHOE ADJUSTMENT	002
250	A 201 420 05 89	SHACKLE EXPANDING LOCK	002
260	A 108 427 00 74	CYLINDER PIN EXPANDING LOCK	002
280	A 000 421 99 86	BOOT CALIPER Code: 494	002
280	A 000 421 99 86	BOOT CALIPER Code: 950/951/952	002