

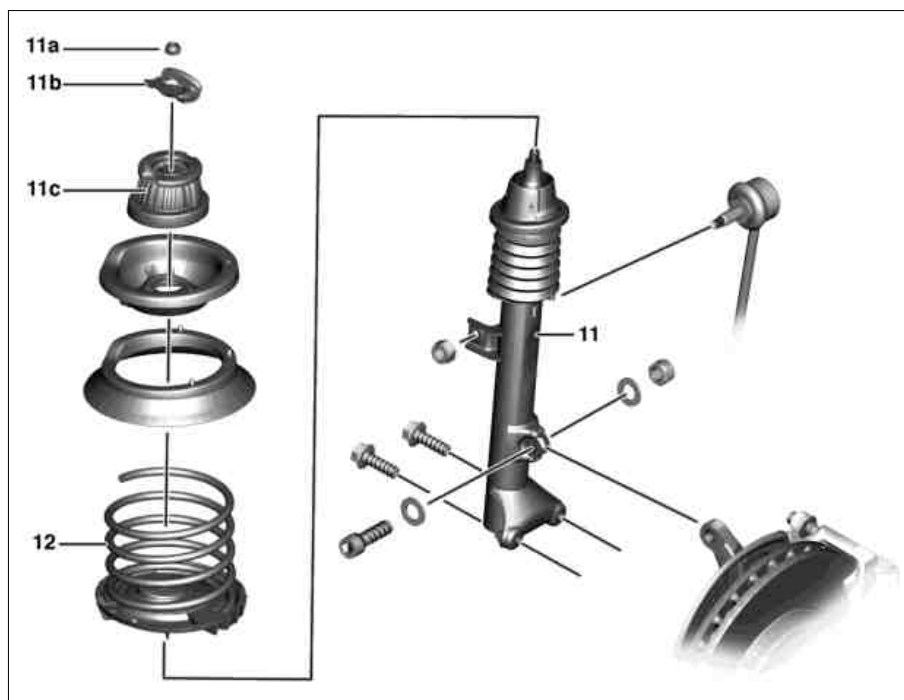
MODEL 203 (except 203.08 /09 /28 /29)

MODEL 209 except CODE (P98) Black Series

MODEL 211 (except 211.08 /09 /28 /29) except CODE (489) Airmatic (semi-active air suspension)

MODEL 230 except CODE (P99) "AMG Black Series" special model

Shown on suspension strut, model 203



P32.20-2036-06

☒ ☒	Remove/install		
ⓘ	Notes on self-locking nuts and bolts		AH00.00-N-0001-01A
1	Remove suspension strut (11)	Model 203, 209 Model 211, 230	AR32.25-P-1017P AR32.25-P-1017TS
2	Disassemble suspension strut (11) and remove shock absorber	Model 203, 209 Model 211, 230	AR32.25-P-1018P AR32.25-P-1018TS
3	Install in the reverse order		