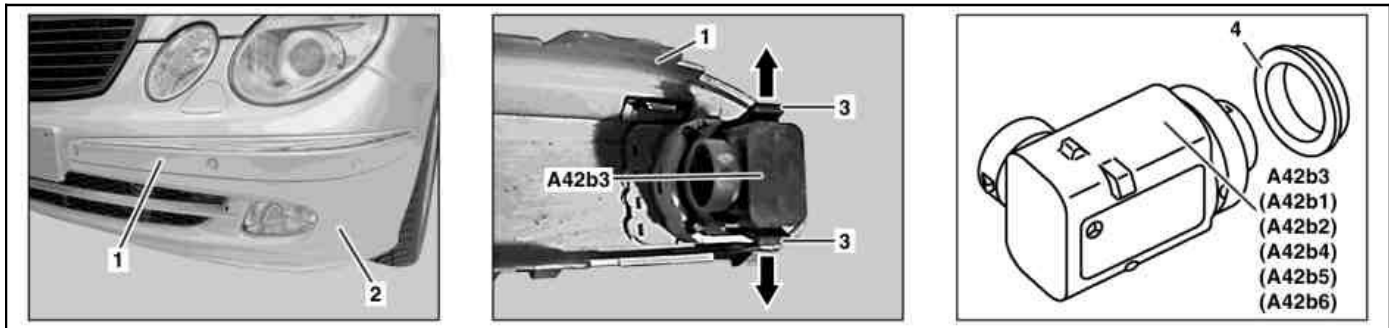


MODEL 211.0 /2 /6 with CODE (220) Parktronic system (PTS)



P54.65-2455-07

Shown on vehicle up to 31.5.06, left inner sensor, front bumper

- 1 Protective strip
- 2 Front bumper
- 3 Lock
- 4 Sealing ring

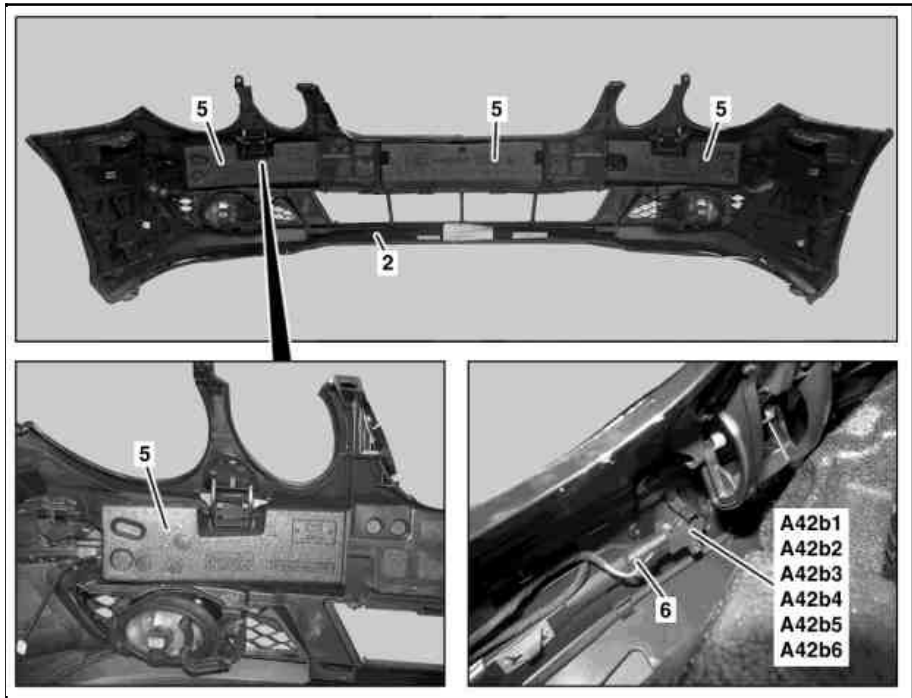
- A42b1 Left outer sensor, front bumper
- A42b2 Center left sensor, front bumper
- A42b3 Left inner sensor, front bumper

- A42b4 Right inner sensor, front bumper
- A42b5 Center right sensor, front bumper
- A42b6 Right outer sensor, front bumper

Shown on vehicle as of 1.6.06, center left sensor, front bumper

- 2 Front bumper
- 5 Impact damper
- 6 Electrical connector

- A42b1 Left outer sensor, front bumper
- A42b2 Center left sensor, front bumper
- A42b3 Left inner sensor, front bumper
- A42b4 Right inner sensor, front bumper
- A42b5 Center right sensor, front bumper
- A42b6 Right outer sensor, front bumper



P54.65-3157-06

Modification notes

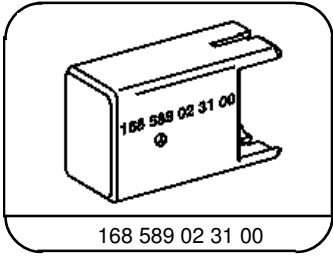
8.1.04	Disconnect/connect ground line on battery	
--------	---	--

	Remove/install		
1.1	Remove ram strip (1) from front bumper (2)	On vehicles up to 31.5.06	AR88.80-P-2220T
1.2	Remove front bumper (2).	In vehicles as of 1.6.06	AR88.20-P-2000T
2.1	Remove impact absorber (5) from the front bumper (2) until the corresponding sensor (A42b1, A42b2, A42b3, A42b4, A42b5 or A42b6) is accessible	In vehicles as of 1.6.06	
3.1	Separate electrical connector (6) on the sensor (A42b1, A42b2, A42b3, A42b4, A42b5 or A42b6)	In vehicles as of 1.6.06	
4.1	Unlock the locks (3) with the release tool in the direction of the arrow and remove sensor (A42b1, A42b2, A42b3, A42b4, A42b5 or A42b6) from the protective strip (1)	On vehicles up to 31.5.06	



*168589023100

		i Installation: Check sealing ring (4) and replace if damaged.	
4.2	Unclip sensor (A42b1, A42b2, A42b3, A42b4, A42b5 or A42b6) by hand from the front bumper (2) and remove	In vehicles as of 1.6.06	
5	Install in the reverse order		



168 589 02 31 00

Unlocking tool