

MODEL 117, 156, 164, 169, 171, 172, 176, 203, 204, 207, 209, 211, 212, 215, 216, 218, 219, 220, 221, 230, 242, 245, 246, 251

Headlamp with projection system (for halogen, Xenon or LED headlamp)

i Headlamp adjustment is generally done mechanically. Pressing a lever changes the position of a movable blind. The movable blind then covers up the part of the light beam which - through appropriate projection - is responsible for illuminating the edge of the roadway. The lever is located next to the bulb and can be accessed after removing the cover on the headlamp housing.

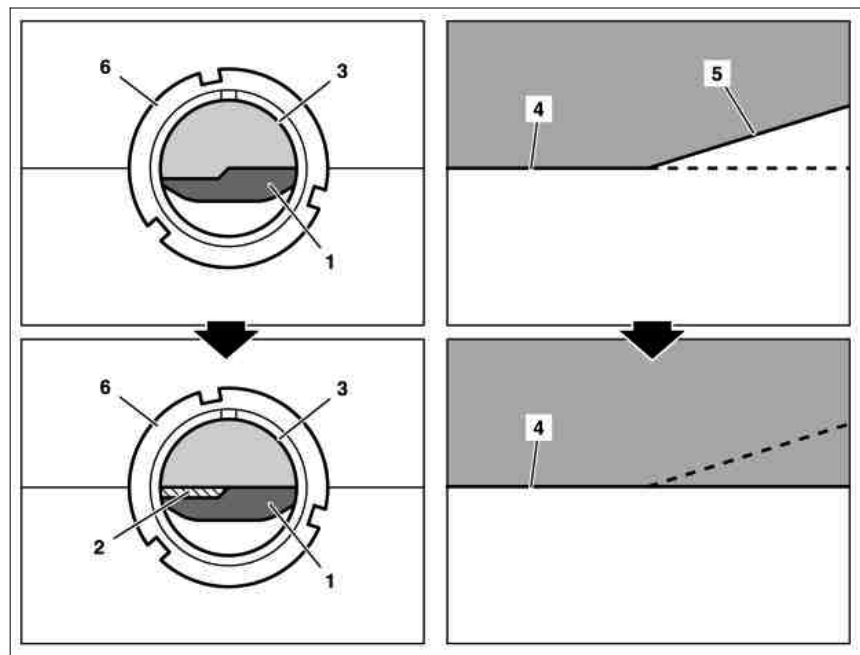
On **MODEL 211** with an Intelligent Light System the headlamps are adjusted electronically using Star Diagnosis.
 On **MODEL 216** the headlamps are adjusted electronically using Star Diagnosis.
 On **MODEL 172 and 204.9** with halogen headlamps, the headlamps are adjusted using the headlamp range controller. The headlamp setting must be checked before adjustment using a headlamp aimer.
 On **MODEL 204.0/2/3** with Intelligent Light System, the headlamps are adjusted in the on-board computer via the instrument cluster.
 On **MODEL 204.0/2** as of AEJ 11/1 with halogen headlamps headlamp adjustment is not required.
 On **MODEL 204.3** with halogen headlamps, headlamp adjustment is not necessary.
 On **MODEL 207 and MODEL 212** up to 30.11.09 (AEJ 09/2) with bi-xenon headlamps the headlamps are electronically adjusted using Star Diagnosis.

The lever's location, version and actuation are dependent on the manufacturer of the headlamp and the model. Observe the safety specifications pertaining to handling high-voltage parts on xenon and bi-xenon headlamps. The setting is to be checked with a headlamp aimer following manual adjustment.

On **MODEL 172, 207 and MODEL 212** as of 1.12.09 (AEJ 09/2) with bi-xenon headlamps, adjustment of the headlamps occurs in the on-board computer via the instrument cluster.
 On **MODEL 207 and MODEL 212** with static LED headlamps, headlamp adjustment is not necessary.
 On **MODEL 207 and MODEL 212** as of model year 2014, with Intelligent Light System, the headlamps are adjusted in the on-board computer using the instrument cluster.
 On **MODEL 218** with full LED headlamps the headlamps are adjusted in the on-board computer using the instrument cluster.
 On **MODEL 117, 156, 242, 246** with halogen headlamps, headlamp adjustment is not necessary.
 On **MODEL 176** with halogen headlamps an adhesive label is attached to the lens.
 On **MODEL 117, 156, 176, 242, 246** with Intelligent Light System the headlamps are adjusted in the on-board computer using the instrument cluster.

Changing the light beam after adjusting the movable blind (2) (view from behind through the lamp aperture (3)). The overview shows the situation for right-hand traffic.

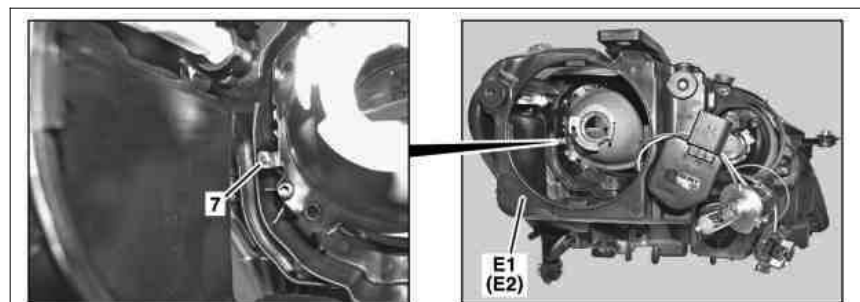
- 1 Low beam blind
- 2 Movable blind
- 3 Lamp aperture
- 4 Light-dark boundary
- 5 Diverted light beam
- 6 Reflector (outside)



P82.10-3330-06

Model 164 with halogen headlamps

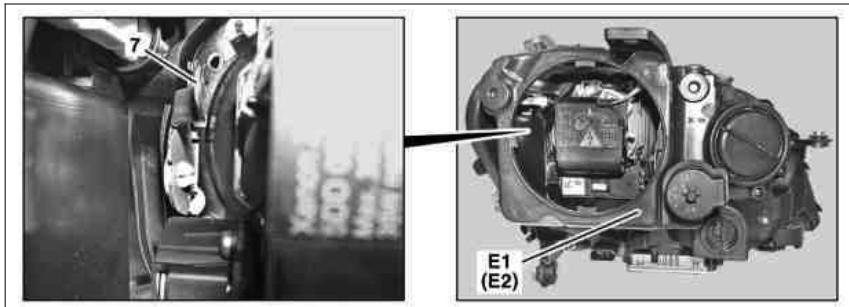
- 7 Lever
- E1 Left front lamp unit
- E2 Right front lamp unit



P82.10-4397-04

Model 164 with xenon headlamps

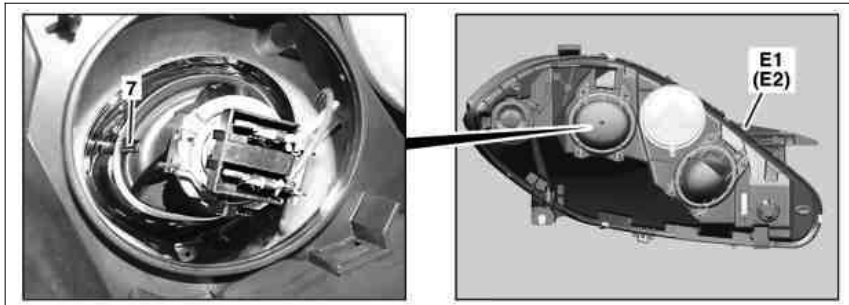
- 7 Lever
- E1 Left front lamp unit
- E2 Right front lamp unit



P82.10-4398-04

Model 169 with halogen headlamps

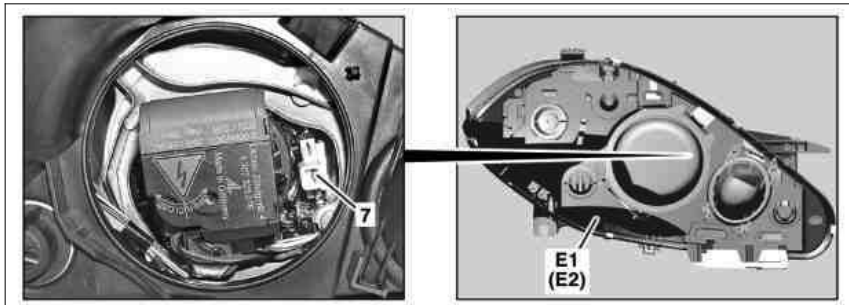
- 7 Lever
- E1 Left front lamp unit
- E2 Right front lamp unit



P82.10-4402-04

Model 169 with xenon headlamps

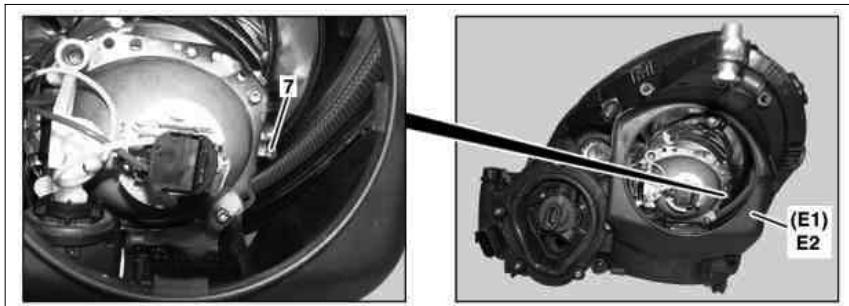
- 7 Lever
- E1 Left front lamp unit
- E2 Right front lamp unit



P82.10-4401-04

Model 171 with halogen headlamps

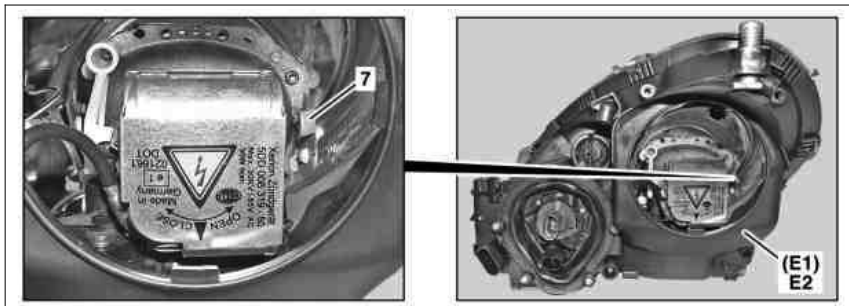
- 7 Lever
- E1 Left front lamp unit
- E2 Right front lamp unit



P82.10-4400-04

Model 171 with xenon headlamps

- 7 Lever
- E1 Left front lamp unit
- E2 Right front lamp unit



P82.10-4399-04

Model 172 with halogen headlamps

The headlamps are adjusted using the headlamp range controller.
Procedure:

i Turn headlamp range control to position 0 after returning to the country in which the car is registered.

- With normal load in vehicle, turn the headlamp range controller to position 1.

- With high load in vehicle, turn the headlamp range controller to position 2.

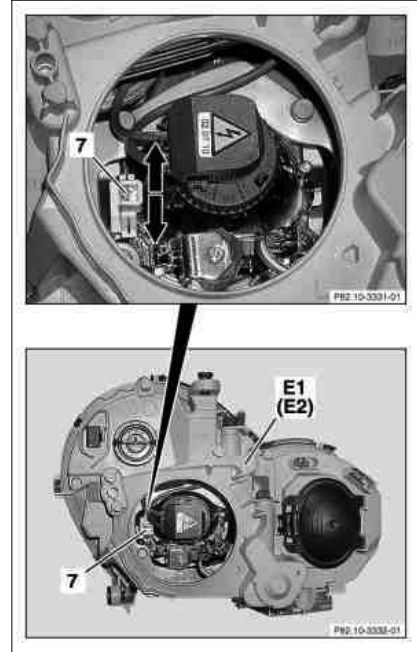
i After unloading the vehicle, turn the headlamp range controller back to position 1.

Model 172 with Intelligent Light System

Headlamp adjustment occurs in the on-board computer via the instrument cluster.

MODEL 203.0/2 with xenon headlamp, MODEL 203.7## #A with xenon headlamp, MODEL 203.7## #E up to 035817 with xenon headlamp

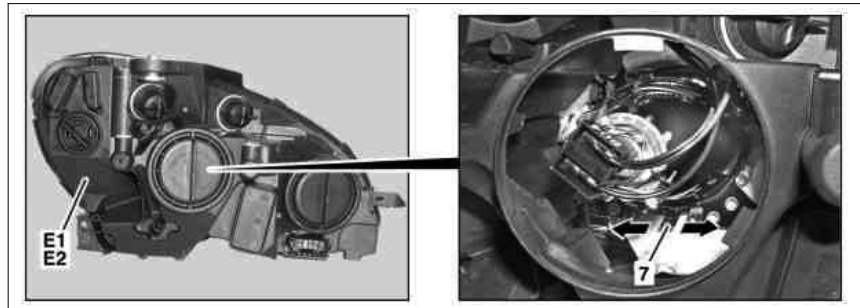
- 7 Lever
- E1 Left front lamp unit
- E2 Right front lamp unit



P82.10-3333-03

MODEL 204.0/2 up to AEJ 11/1 with halogen headlamp, MODEL 203.7## #E with CODE 809 (Model year 2009) with halogen headlamp

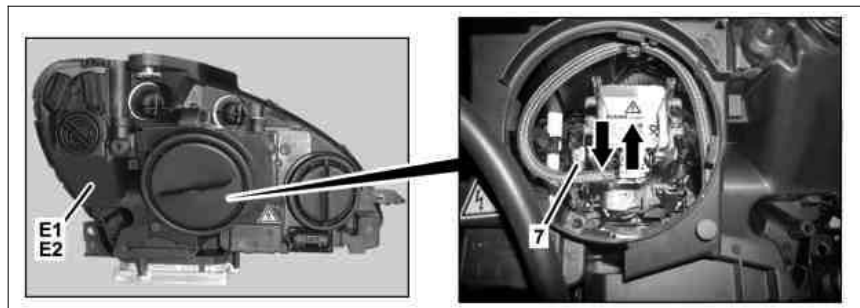
- 7 Lever
- E1 Left front lamp unit
- E2 Right front lamp unit



P82.10-4688-04

MODEL 204.0/2 up to AEJ 11/1 with bi-xenon headlamp, MODEL 204.9 with bi-xenon headlamp or with Intelligent Light System, MODEL 203.7## #E with CODE 809 (Model year 2009) with bi-xenon headlamp

- 7 Lever
- E1 Left front lamp unit
- E2 Right front lamp unit



P82.10-5032-04

Model 204.9 with halogen headlamps

The headlamps are adjusted using the headlamp range controller.

Procedure:

- With normal load in vehicle, turn the headlamp range controller to position 1.

MODEL 204.0/2/3 with Intelligent Light System

Headlamp adjustment occurs in the on-board computer via the instrument cluster.

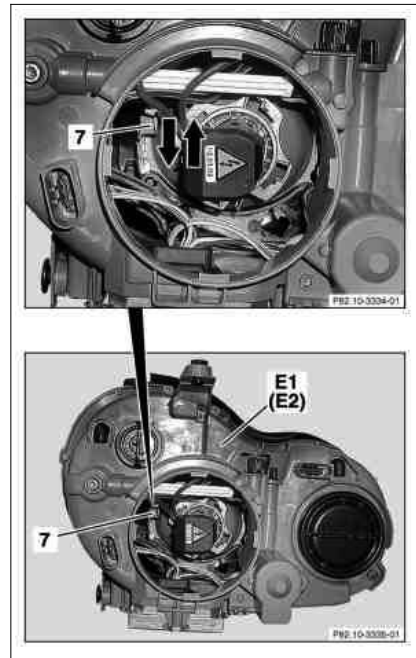
i Turn headlamp range control to position 0 after returning to the country in which the car is registered.

- With high load in vehicle, turn the headlamp range controller to position 2.

i After unloading the vehicle, turn the headlamp range controller back to position 1.

Model 209 with bi-xenon headlamps

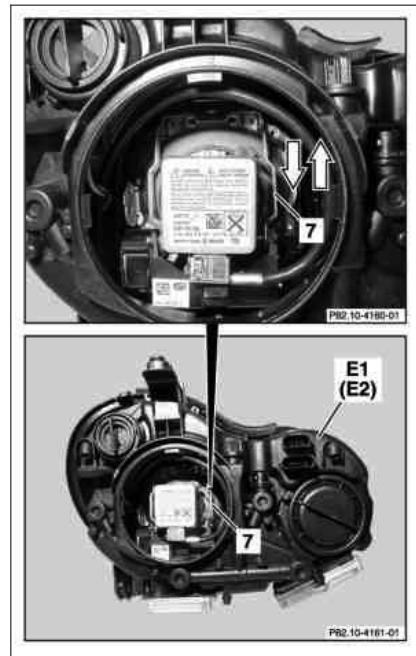
- 7 Lever
- E1 Left front lamp unit
- E2 Right front lamp unit



P82.10-3336-03

Model 209 with bi-xenon headlamps with integrated curve illumination

- 7 Lever
- E1 Left front lamp unit
- E2 Right front lamp unit

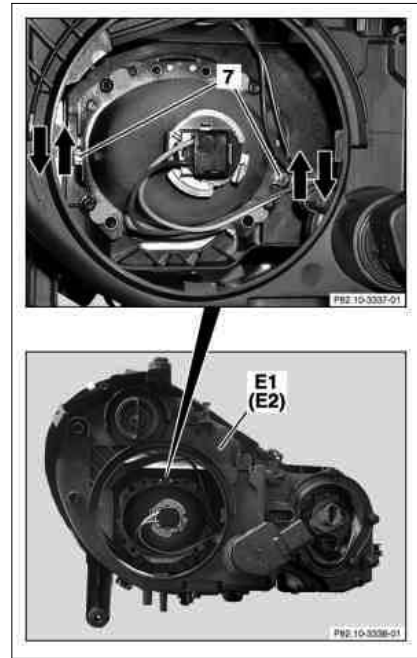


P82.10-4159-03

i Only one of the two levers (7) needs to be adjusted. The other lever (7) moves automatically in sync.

Model 211 with halogen headlamps

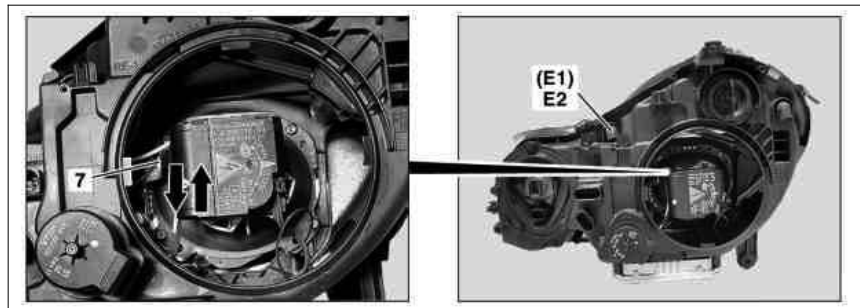
- 7 Lever
- E1 Left front lamp unit
- E2 Right front lamp unit



P82.10-3339-03

Model 211 with bi-xenon headlamps

- 7 Lever
- E1 Left front lamp unit
- E2 Right front lamp unit



P82.10-4411-04

Model 211 with Intelligent Light System

The headlamps are not adjusted manually. The headlamps are adjusted using STAR DIAGNOSIS.

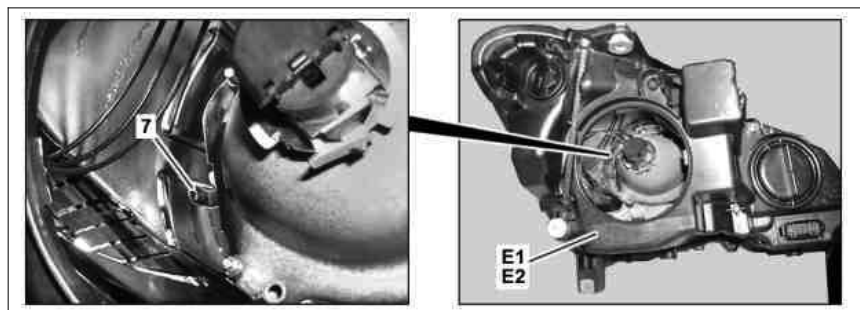
Procedure:

- Menu item "Control units"

- Menu item "Body"
- Menu item "Left xenon headlamp control unit"
- Menu item "Control unit adaptations"

Model 207, 212 with halogen headlamps

- 7 Lever
- E1 Left front lamp unit
- E2 Right front lamp unit



P82.10-6392-04

Model 207 and model 212 with bi-xenon headlamps up to 30.11.09 (AEJJ09/2)

The headlamps are adjusted using STAR DIAGNOSIS.

Procedure:

- Menu item "Control units"

- Menu item "Body"
- Menu item "Left xenon headlamp control unit"
- Menu item "Control unit adaptations"

Model 207 and model 212 with bi-xenon headlamps as of 1.12.09 (AEJJ09/2)

On vehicles with Intelligent Light System, the headlamps are adjusted in the on-board computer via the instrument cluster.

MODEL 207 and MODEL 212 with Intelligent Light System as of model year 2014