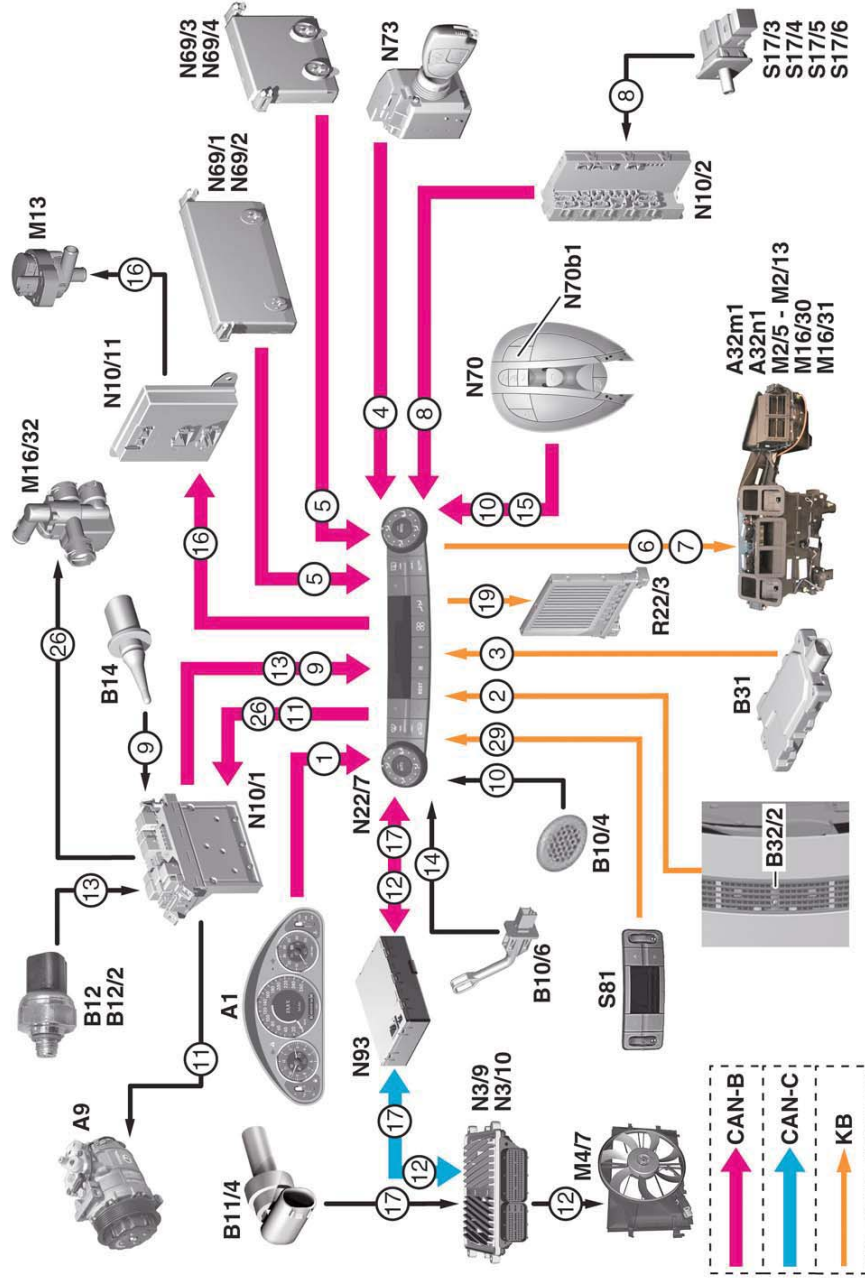
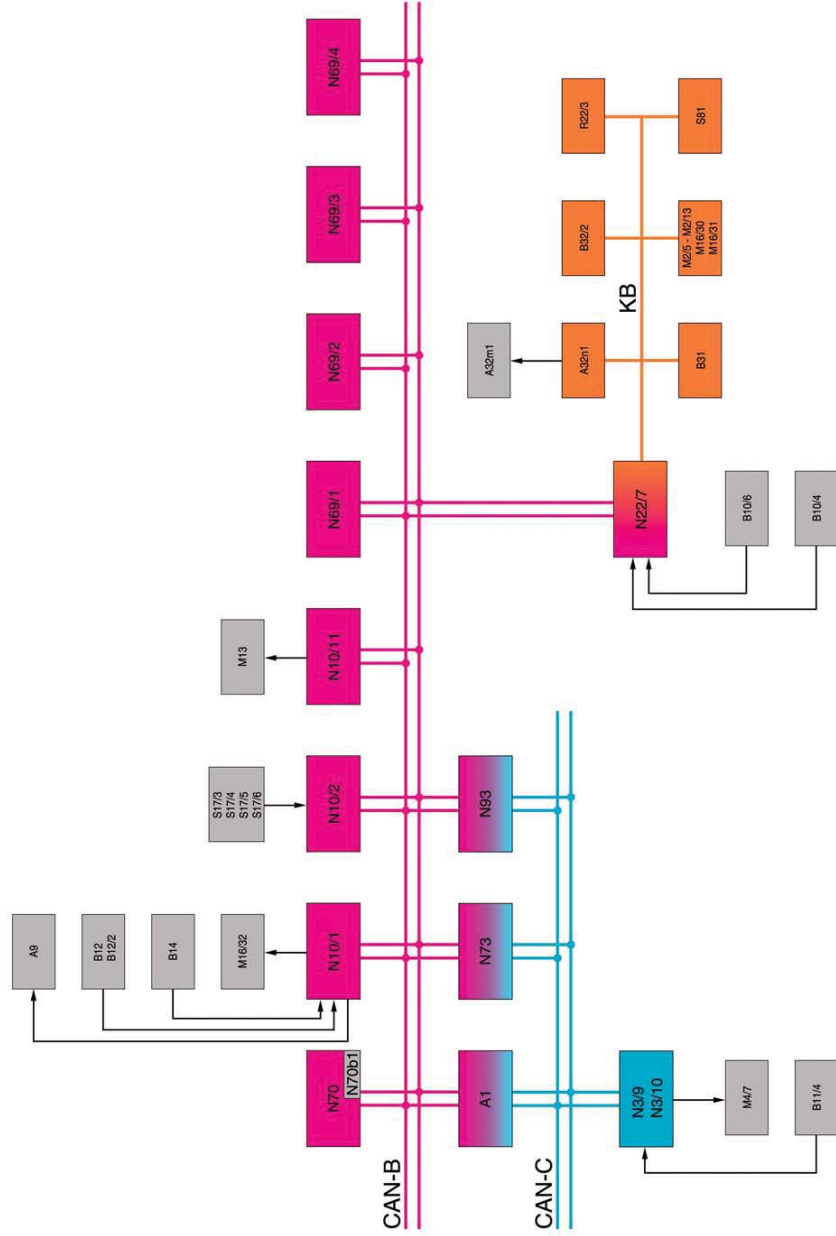


System overview



P63.40-3276-00

Shown with code 581 / Legend see page 14



P83.40-3323-00

Shown with code 581 / Legend see page 14

System overview

1	Vehicle speed signal	A1	Instrument cluster	M16/30	Left rear blending air flap actuator motor
2	Solar radiation	A32m1	Blower motor	M16/31	Right rear blending air flap actuator motor
3	Pollutants	A32n1	Blower regulator	M16/32	Heater core shutoff motor
4	Battery voltage/circuit status	A9	A/C compressor	N3/9	CDI control module
5	Window position	B10/4	In-car temperature sensor	N3/10	ME-SFI control module
6	Actuation of engine blower regulator	B10/6	Evaporator temperature sensor	N10/1	Driver-side SAM control module with fuse and relay module
7	Actuation of air flap actuator motors	B11/4	Engine coolant temperature sensor	N10/2	Rear SAM control module with fuse and relay module
8	Door status	B12	Refrigerant pressure sensor (as of 06/2005)	N10/11	Passenger-side SAM control module
9	Outside temperature	B12/2	Refrigerant pressure and temperature sensor (up to 06/2005)	N22/7	C-ACC pushbutton control module
10	Interior temperature	B14	Outside temperature display temperature sensor	N69/1	Left front door control module
11	Actuation of A/C compressor	B31	4-zone ACC multifunction sensor	N69/2	Right front door control module
12	Actuation of cooling fan	B32/2	4-zone ACC sun sensor (4 in total)	N69/3	Left rear door control module
13	Refrigerant pressure	M2/5	Fresh air/air recirculation flaps actuator motor	N69/4	Right rear door control module
14	Evaporator temperature	M2/6	Left blending air flap actuator motor	N70	Overhead control panel control module
15	Tilting/sliding roof position	M2/7	Right blending air flap actuator motor	N70b1	In-car temperature sensor
16	Actuation of coolant circulation pump	M2/8	Left defroster vent flap actuator motor	N73	EIS control module
17	Coolant temperature	M2/9	Right defroster vent flap actuator motor	N93	Central gateway control module
19	Non-US	M2/10	Left footwell flap actuator motor	R22/3	Non-US component
26	Actuation of heater core shutoff valve	M2/11	Right footwell flap actuator motor	S17/3	Left front door contact switch
29	Rear controls	M2/12	Left center air flap actuator motor	S17/4	Right front door contact switch
CAN-B	Controller Area Network bus class B (interior compartment)	M2/13	Right center air flap actuator motor	S17/5	Left rear door contact switch
CAN-C	Controller Area Network bus class C (engine compartment)	M4/7	Engine and air conditioning electric suction fan with integrated control	S17/6	Right rear door contact switch
KB	HVAC bus	M13	Coolant circulation pump	S81	Rear ACC control panel switch group