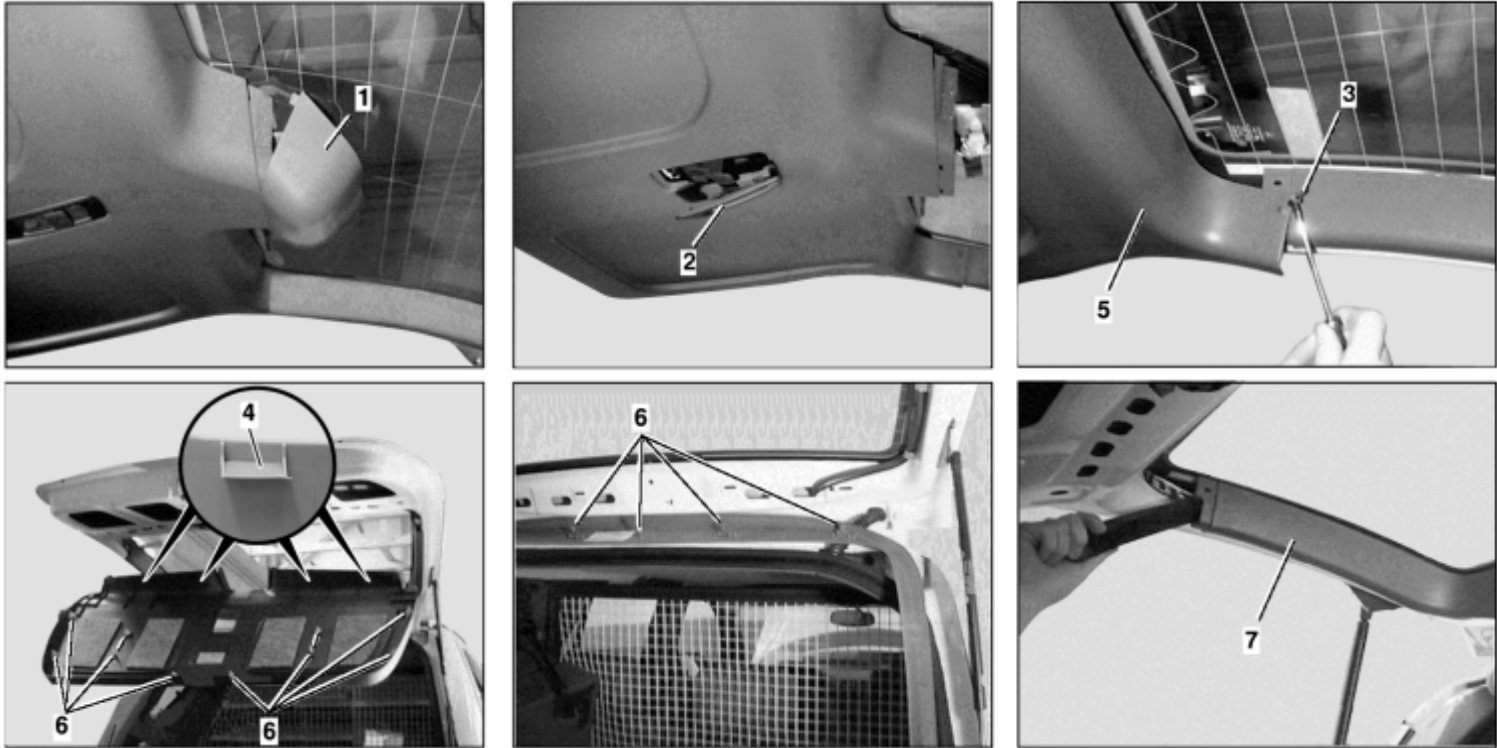


AR72.20-P-3520GH	Remove/install tailgate liner	28.2.97
------------------	-------------------------------	---------

MODEL 163



P72.20-2043-09

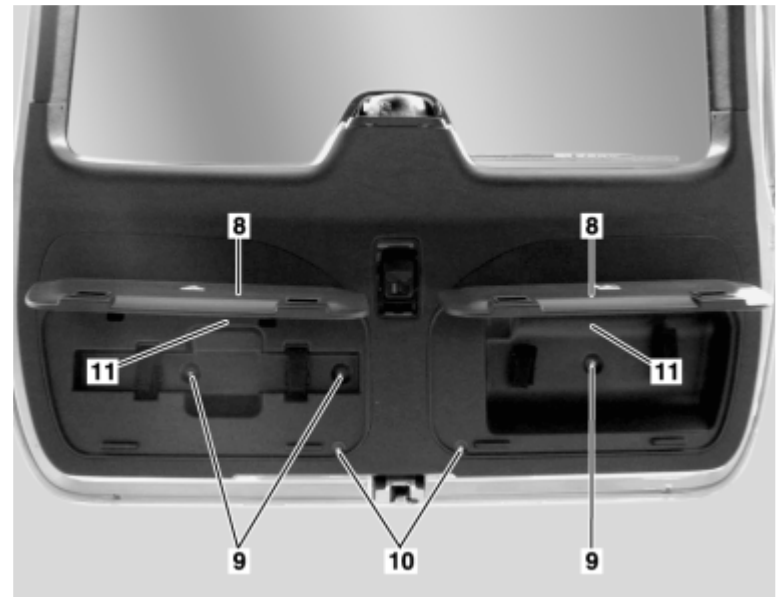
- 1 Cover for center high-mounted stop lamp
- 2 Door handle cover
- 3 Mounting clips

- 4 Bracket
- 5 Door liner bottom section
- 6 Clips

- 7 Door liner top section

As of vehicle identification number A289565, X754620

- 8 Flaps
- 9 Bolts
- 10 Expanding rivets
- 11 Expanding anchor



P72.20-2200-11

	Remove/install		
	<b>Risk of breakage and tearing</b> of plastic trims and corresponding clip retainers		
1	Remove cover from center high-mounted stop lamp (1)	Press cover together on left and right and tilt backward	
2	Remove cover on door handle (2)	Press cover upward and remove.	
		Assembly wedge	<a href="#">110 589 03 59 00</a>
3.1	Open flaps (8) for first-aid kit and		

	warning triangle	<b>i</b> As of vehicle identification number A289565, X754620.	
4.1	Remove first aid kit and warning triangle	<b>i</b> As of vehicle identification number A289565, X754620.	
5.1	Unscrew screws (9)	<b>i</b> As of vehicle identification number A289565, X754620.	
6.1	Remove spreading rivets (10)	<b>i</b> As of vehicle identification number A289565, X754620. To remove body-bound rivets, completely press out pin.	
7.1	Remove expanding anchor (11)	<b>i</b> As of vehicle identification number A289565, X754620. If installed. Replace expanding anchors.	
8	Unclip clip retainers (3) for door liner on both sides		
9	Pull brackets (4) out of clips on inner door panel in upper area of door liner bottom section (5)	<b>i</b> Start at center of door liner bottom section	
10	Completely unclip door liner bottom section (5) from inner door panel	<b>i</b> Position assembly wedge directly next to clips (6) As of vehicle identification number A289565, X754620: There are no longer any clips on right and left next to the door handle.	
		<b>🔧</b> Assembly wedge	<a href="#">110 589 03 59 00</a>
11	Remove door liner bottom section (5)	<b>i</b> <b>Installation:</b> Replace clips (6).	
12	Unclip door liner top section (7)	<b>i</b> Start at the left and right side. Position assembly wedge directly next to clips (6)	
		<b>🔧</b> Assembly wedge	<a href="#">110 589 03 59 00</a>
13	Remove door liner top section (7)	<b>i</b> <b>Installation:</b> Replace clips (6).	
14	Install in the reverse order		



110 589 03 59 00

Assembly wedge