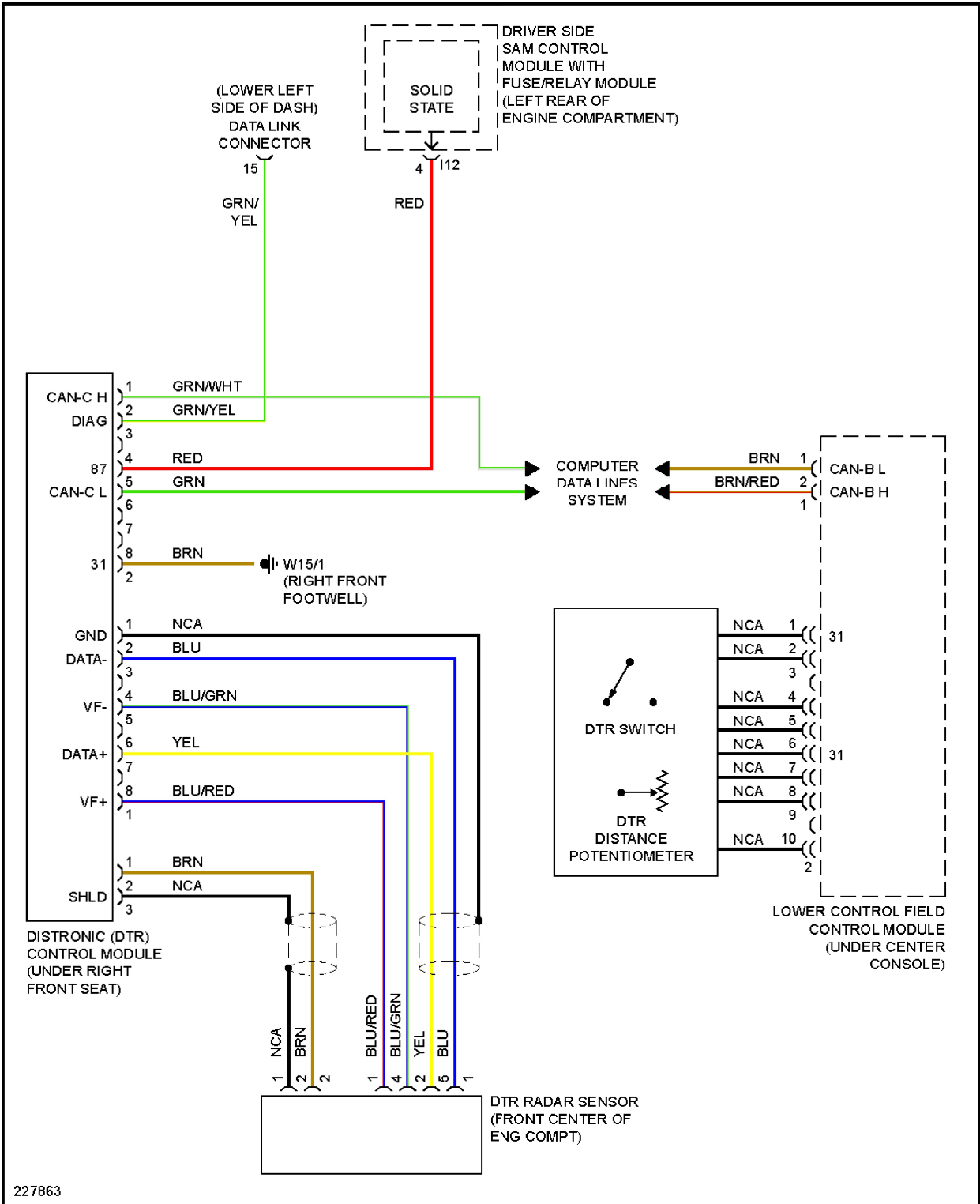


Fig. 17: Cruise Control Circuit

2004 Mercedes-Benz E320 4Matic

2004 SYSTEM WIRING DIAGRAMS Mercedes-Benz - E320



2004 Mercedes-Benz E320 4Matic

2004 SYSTEM WIRING DIAGRAMS Mercedes-Benz - E320

Fig. 18: Electronic Accelerator/Cruise/Idle Speed Control Circuit, Early Production

2004 Mercedes-Benz E320 4Matic

2004 SYSTEM WIRING DIAGRAMS Mercedes-Benz - E320

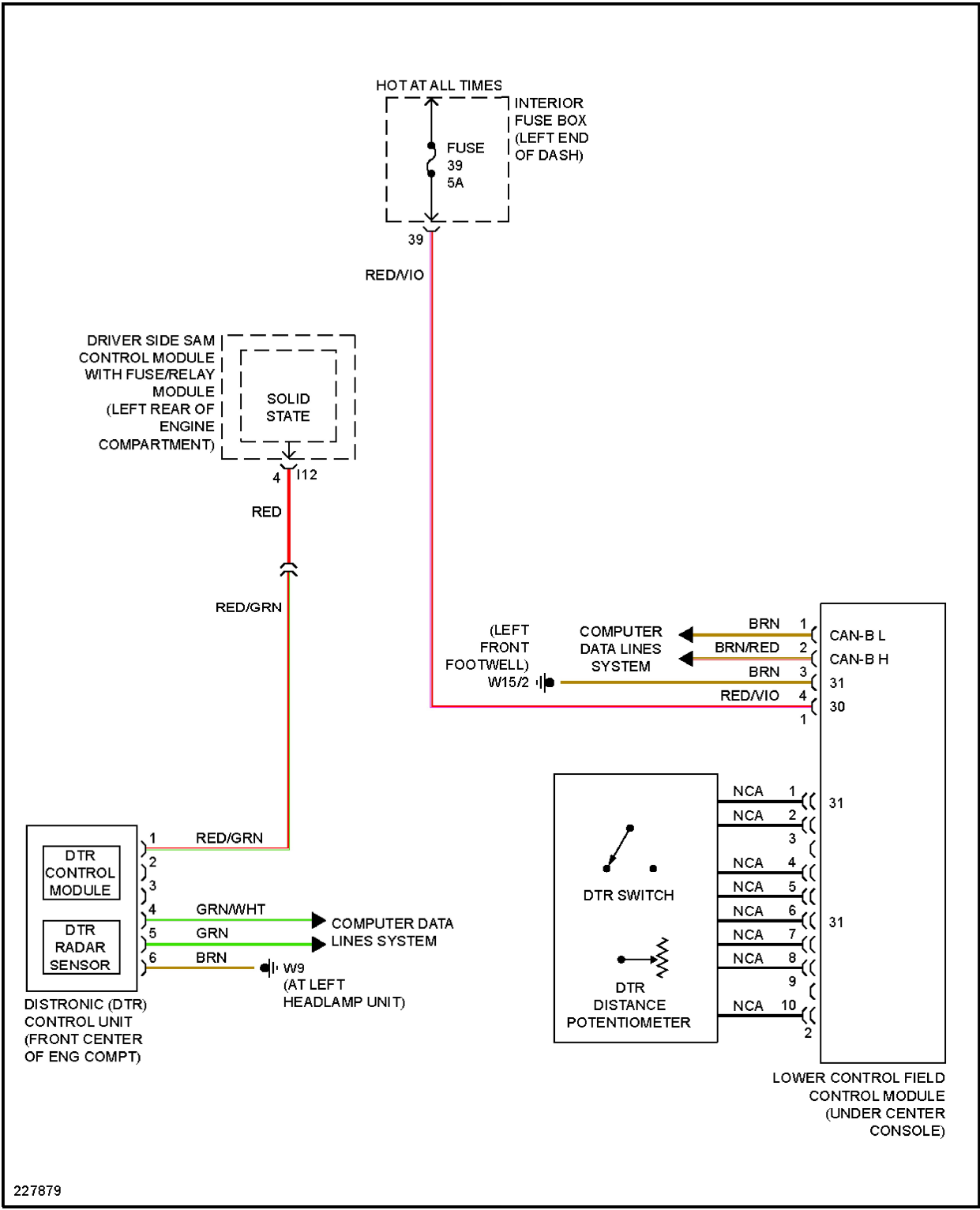


Fig. 19: Electronic Accelerator/Cruise/Idle Speed Control Circuit, Late Production

DEFOGGERS