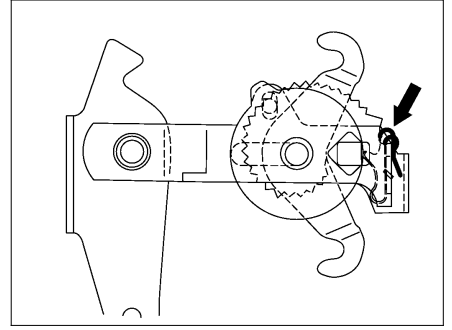


- 1 Lift center holddown clip (arrow) using a screwdriver so that the cable slack adjuster sets itself automatically.



P42.20-0212-01