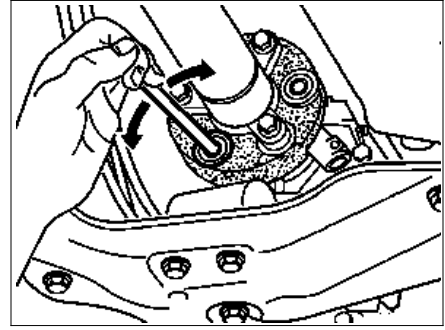


AR41.10-P-0050-09DA WF	Release guide sleeves in flexible couplings. Drift for releasing the fitted sleeves in the flexible couplings	WF58.50-P-4110-01A
---------------------------	--	--------------------

Propeller shaft installed

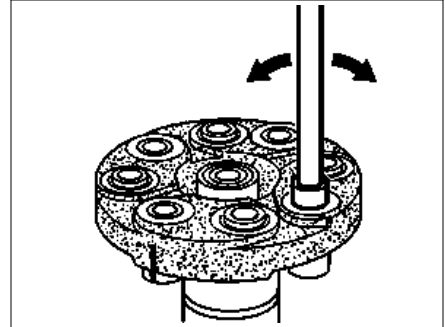
- 1.1 Loosen the fitted sleeves of the flexible couplings at the transmission and rear axle joint flange using the drift (shop-made tool).



P41.10-0030-01

Propeller shaft removed

- 1.2 Loosen the fitted sleeves of the flexible couplings at the three-arm or four-arm flange using the drift (shop-made tool).



P41.10-0034-01