
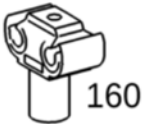
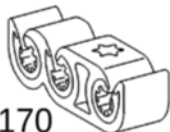
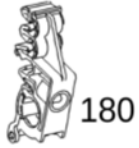










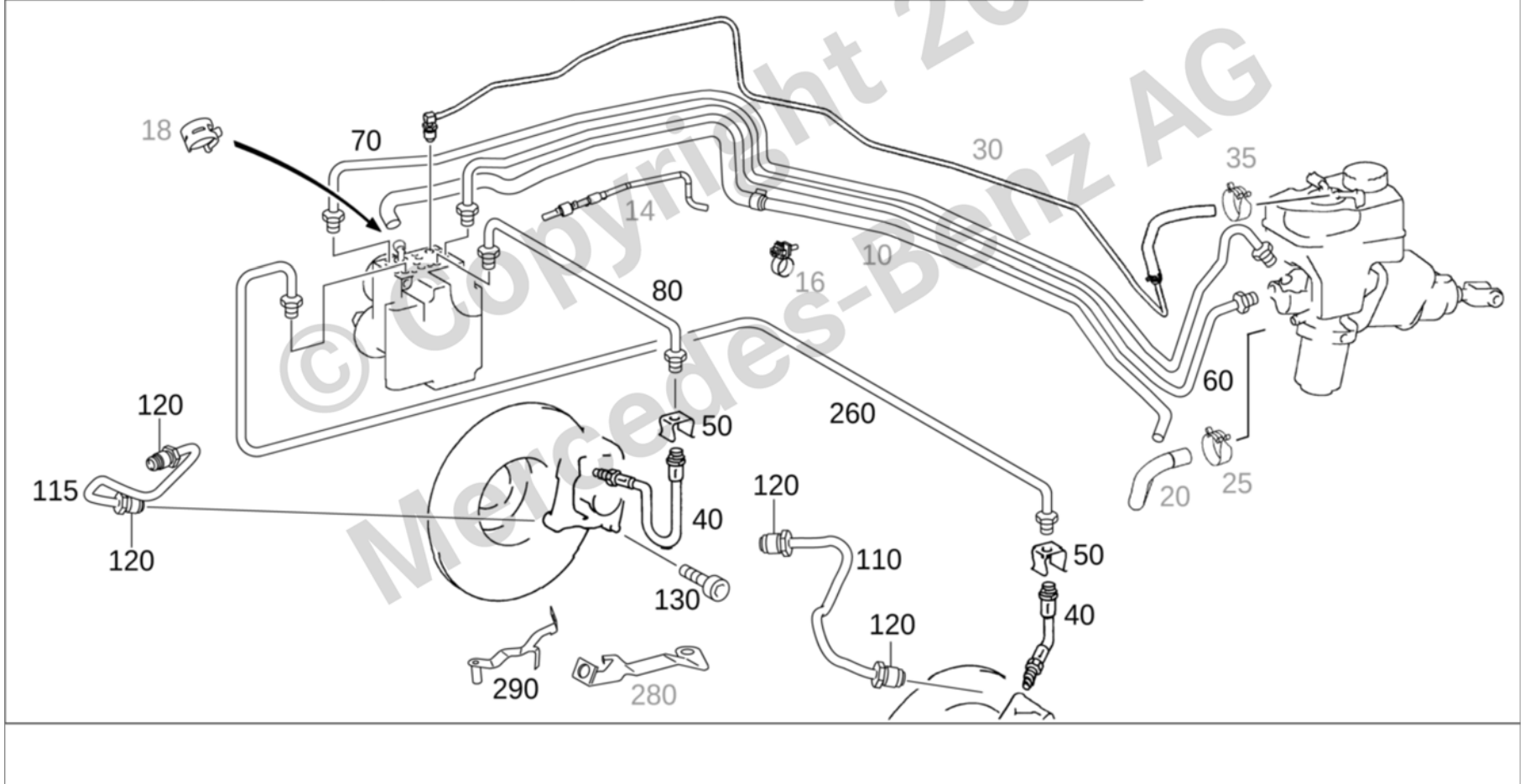


- Parts list -

|                        |                         |                         |  |
|------------------------|-------------------------|-------------------------|--|
| <b>Vehicle</b>         | WDBUH87X58B236489 (65J) | E 350 4MATIC            |  |
| <b>Color</b>           | 040 - BLACK             | <b>Equipment</b>        | 144 - ARTICO Leather man-made,<br>cashmere beige |
| FIN: WDB2112871B236489 |                         | <b>Assortment class</b> | PC   |
| <b>Group</b>           | 42 BRAKES               | <b>Sub-group</b>        | 090 BRAKE LINES                                  |







Parts Information

|   |   |   |  |   |   |   |   |
|---|---|---|--|---|---|---|---|
|  150 |  160 |  170 |  180 |  190 |  200 |  210 |  |
|  220 |  240 |  250 |  255 |  500 |  510 |   |   |


















## Parts Information


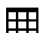








Image ID: drawing\_B42090000435

| Item | Part number     | Designation/additional information  | Qty |
|------|-----------------|---|-----|
| 40   | A 211 420 02 48 | BRAKE HOSE<br>FRONT LEFT<br> Code: M005;<br>Replaced by: A 211 420 07 48   | 1   |
| 40   | A 211 420 07 48 | BRAKE HOSE<br>FRONT LEFT<br> Code: M005;<br>Replaces: A 211 420 02 48  | 1   |
| 40   | A 211 420 02 48 | BRAKE HOSE<br>FRONT RIGHT<br> Code: M005;<br>Replaced by: A 211 420 07 48  | 1   |
| 40   | A 211 420 07 48 | BRAKE HOSE<br>FRONT RIGHT<br> Code: M005;<br>Replaces: A 211 420 02 48   | 1   |
| 50   | A 000 428 06 73 | RETAINING SPRING<br>BRAKE HOSE TO FRONT HOLDER<br> Code: M005;<br> Fault location 43036 | 2   |









Parts Information

| Item | Part number  | Designation/additional information  | Qty |
|------|--|---|-----|
| 60   | A 211 420 68 26<br>   | LINE<br>MASTER CYLINDER TO HYDRAULIC UNIT CONNECTION "HZ1"<br> [409] TO BE ADAPTED DURING ASSEMBLY<br> Code: 807/808/809;<br> Fault location 43071                       | 1   |
| 70   | A 211 420 70 26<br>   | LINE<br>MASTER CYLINDER TO HYDRAULIC UNIT CONNECTION "HZ2"<br> [409] TO BE ADAPTED DURING ASSEMBLY<br> Code: 807/808/809;<br> Fault location 43072                       | 1   |
| 80   | A 238 428 00 00  | BRAKE LINE<br>REPAIR LINE FROM HYDRAULIC UNIT TO FRONT WHEEL AT RIGHT; 5000 MM<br> [409, 001415] TO BE ADAPTED DURING ASSEMBLY<br> Code: M005;<br> Fault location 43A01 | 1   |
| 110  | A 211 420 55 26<br> | LINE<br>LEFT<br> Code: M005+-(M113/M273);  | 1   |
| 115  | A 211 420 56 26<br> | LINE<br>RIGHT<br> Code: M005+-(M113/M273);   | 1   |








Parts Information

| Item | Part number  | Designation/additional information   | Qty |
|------|--|--|-----|
| 120  | A 000 428 04 72<br> | * RETAINING SCREW<br>LEFT BRAKE LINE; M10X1<br> Code: M005+-M273;   | 2   |
| 120  | A 000 428 04 72<br> | * RETAINING SCREW<br>RIGHT BRAKE LINE; M10X1<br> Code: M005+-M273;  | 2   |
| 130  | N 007984 008041  | SCREW<br>BRACKET TO CALIPER; M8X60<br> Code: M005+(M112/M272/M642+M013);  | 2   |
| 130  | N 000912 008204  | CAP BOLT<br>BRACKET TO CALIPER; M8X35<br> Code: M005+(M113/M642/M272/M273);   | 2   |
| 130  | N 006912 008014  | SCREW<br>BRACKET TO CALIPER; M8X40<br> Code: M005+(M272/M642);  | 2   |
| 150  | A 170 995 01 65  | BRACKET<br>FRONT RIGHT BRAKE LINE MOUNTING TO RIGHT LONGITUDINAL MEMBER<br> Code: -228;   | 3   |
| 160  | A 667 428 08 40  | BRACKET<br>FASTENING BRAKE LINES FRONT LEFT TO LONGITUDINAL MEMBER LEFT<br> [409] TO BE ADAPTED DURING ASSEMBLY<br> Code: -M012;<br>Replaced by: A 002 995 15 77 | 1   |









Parts Information

| Item | Part number  | Designation/additional information   | Qty |
|------|--|--|-----|
| 160  | A 002 995 15 77  | LINE BRACKET<br>FASTENING BRAKE LINES FRONT LEFT TO LONGITUDINAL MEMBER LEFT<br> Code: -M012;<br>Replaces: A 667 428 08 40  | 1   |
| 160  | A 667 428 08 40  | BRACKET<br>BRAKE LINE MOUNTING TO MAIN FLOOR RIGHT<br> [409] TO BE ADAPTED DURING ASSEMBLY  | 4   |
| 160  | A 667 428 08 40  | BRACKET<br>BRAKE LINE MOUNTING TO MAIN FLOOR RIGHT<br> [409] TO BE ADAPTED DURING ASSEMBLY<br> Code: -228;<br>Replaced by: A 002 995 15 77 | 5   |
| 160  | A 002 995 15 77  | LINE BRACKET<br>BRAKE LINE MOUNTING TO MAIN FLOOR RIGHT<br> Code: -228;<br>Replaces: A 667 428 08 40  | 5   |
| 170  | A 000 995 76 14  | LINE FASTENER<br>BRAKE LINE TO ENGINE COMPARTMENT PARTITION PANEL,LEFT 4,7-5,2MM   | 1   |
| 170  | A 000 995 80 77<br> | LINE BRACKET<br>BRAKE LINE TO PARTITION PANEL  | 2   |
| 170  | A 000 995 60 77<br> | LINE BRACKET<br>MAJOR ASSEMBLY PARTITION WALL<br> Code: M271/M272/M273/M156+M63;  | 1   |

Parts Information









| Item | Part number  | Designation/additional information  | Qty |
|------|--|---|-----|
| 170  | A 000 995 76 14  | LINE FASTENER<br>BRAKE LINE TO FIRE WALL<br> Code: 807/808/809;  | 1   |
| 180  | A 001 995 49 65  | CLAMP<br>LINE MOUNTING 4,7/6/15,5MM   | 1   |
| 190  | A 000 995 75 14<br>   | CLAMP<br>MAJOR ASSEMBLY PARTITION WALL 6/10MM   | 2   |
| 200  | A 000 995 59 14  | BRACKET<br>MAJOR ASSEMBLY PARTITION WALL 4,7MM  | 3   |
| 200  | A 001 995 29 65  | BRACKET<br>MAJOR ASSEMBLY PARTITION WALL  | 1   |
| 210  | A 201 476 11 26  | HOSE<br>FASTENING BRAKE LINES FRONT LEFT TO LONGITUDINAL MEMBER LEFT; 4.5X3 MM<br> [404] ORDER BY THE METER  | NB  |
| 210  | A 201 476 11 26  | HOSE<br>FRONT RIGHT BRAKE LINE MOUNTING TO RIGHT LONGITUDINAL MEMBER; 4.5X3 MM<br> [404] ORDER BY THE METER  | NB  |
| 210  | A 201 476 11 26  | HOSE<br>THRU-WAY LEFT WHEELHOUSE; 4.5X3 MM<br> [404] ORDER BY THE METER<br> Code: M005; | NB  |
| 220  | A 124 997 22 82<br> | HOSE SECTION<br>FRONT RIGHT BRAKE LINE MOUNTING TO RIGHT LONGITUDINAL MEMBER  | 1   |

Parts Information







| Item | Part number  | Designation/additional information   | Qty |
|------|--|--|-----|
| 240  | A 000 995 79 14  | BRACKET<br>FASTENING BRAKE LINE TO MAIN FLOOR LEFT 4,7/8/8-10MM  | 4   |
| 250  | A 000 995 84 77  | LINE BRACKET<br>AT PARTITION PANEL,RIGHT<br> Code: 807/808/809;   | 1   |
| 255  | A 211 476 01 66<br> | LINE BRACKET<br>HYDRAULIC UNIT TO PARTITION WALL   | 4   |
| 260  | A 238 428 00 00  | BRAKE LINE<br>REPAIR LINE FROM HYDRAULIC UNIT TO LEFT FRONT WHEEL; 5000 MM<br> [409, 001415] TO BE ADAPTED DURING ASSEMBLY<br> Code: M005;<br> Fault location 43N03 | 1   |
| 290  | A 211 420 11 86<br> | BRACKET<br>LEFT<br> Code: M005+(M112/M272/M642);  | 1   |
| 290  | A 211 420 04 86  | BRACKET<br>RIGHT<br> Code: M005+(M112/M272/M642);   | 1   |
| 300  | A 211 420 05 48  | BRAKE HOSE<br>REAR LEFT AND RIGHT<br>Replaced by: A 211 420 06 48  | 2   |
| 300  | A 211 420 06 48  | BRAKE HOSE<br>REAR LEFT AND RIGHT<br>Replaces: A 211 420 05 48   | 2   |



Parts Information

| Item | Part number     | Designation/additional information  | Qty |
|------|-----------------|---|-----|
| 310  | A 000 428 06 73 | RETAINING SPRING<br>FROM BRAKE HOSE TO LEFT AND RIGHT REAR CALIPER<br> Fault location 43036  | 2   |
| 320  | A 211 420 65 26 | LINE<br>HYDRAULIC UNIT CONN. "RR" TO RIGHT REAR WHEEL<br> Code: 807/808/809;<br> Fault location 43A01   | 1   |
| 330  | A 211 420 64 26 | LINE<br>HYDRAULIC UNIT CONNECTION "LR" TO LEFT REAR CONNECTING PIECE<br> [402] NO LONGER AVAILABLE<br> Code: 807/808/809;<br> Fault location 43N01 | 1   |
| 340  | A 238 428 00 00 | BRAKE LINE<br>Repair line from hydraulic unit to left rear wheel; 5000 MM<br> [409, 001415] TO BE ADAPTED DURING ASSEMBLY  | 1   |
| 400  | A 667 428 08 40 | BRACKET<br>FASTENING BRAKE LINE TO REAR SEAT FLOOR LEFT<br> [409] TO BE ADAPTED DURING ASSEMBLY<br>Replaced by: A 002 995 15 77  | 1   |
| 400  | A 002 995 15 77 | LINE BRACKET<br>FASTENING BRAKE LINE TO REAR SEAT FLOOR LEFT<br>Replaces: A 667 428 08 40   | 1   |

Parts Information

| Item | Part number     | Designation/additional information   | Qty |
|------|-----------------|--|-----|
| 400  | A 667 428 08 40 | BRACKET<br>FASTENING BRAKE LINE TO REAR SEAT FLOOR RIGHT<br> [409] TO BE ADAPTED DURING ASSEMBLY<br> Code: -228;<br>Replaced by: A 002 995 15 77 | 1   |
| 400  | A 002 995 15 77 | LINE BRACKET<br>FASTENING BRAKE LINE TO REAR SEAT FLOOR RIGHT<br> Code: -228;<br>Replaces: A 667 428 08 40  | 1   |
| 410  | A 201 476 11 26 | HOSE<br>FASTENING BRAKE LINE TO REAR SEAT FLOOR LEFT; 4.5X3 MM<br> [404] ORDER BY THE METER   | NB  |
| 410  | A 201 476 11 26 | HOSE<br>FASTENING BRAKE LINE TO REAR SEAT FLOOR RIGHT; 4.5X3 MM<br> [404] ORDER BY THE METER  | NB  |
| 410  | A 201 476 11 26 | HOSE<br>BRAKE LINE MOUNTING TO MAIN FLOOR RIGHT; 4.5X3 MM<br> [404] ORDER BY THE METER  | NB  |
| 500  | A 121 429 01 34 | HEXAGON SPACER ELEMENT<br>M10  | NB  |
| 510  | A 000 428 04 72 | RETAINING SCREW<br>M10X1   | NB  |