

P88.70-2403-07

Shown on left outside mirror

1 Door lining

2 Window frame paneling

3 Electrical connectors

4 Bolt

5 Bolt




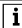
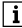
6 Bolt

M21/1 Left electrically adjustable and heated outside mirror

M21/2 Right electrically adjustable and heated outside mirror

N69/1 Left front door control unit

N69/2 Right front door control unit

 	Remove/install		
1	Remove door lining (1) until bolt (6) is accessible.	 Do not disconnect electrical connectors of electrical lines between door lining (1) and left front door control unit (N69/1) or right front door control unit (N69/2) Do not unhook Bowden cable on inside door opener.	AR72.10-P-1000T
2	Loosen window frame paneling (2) from front door until bolt (5) is accessible.	 For this purpose, loosen door sealing frame in corresponding area of window frame paneling (3) from front door.  Installation: Use lubricant for installing door sealing frame. Antifriction agent	*BR00.45-Z-1010-06A
3	Disconnect electrical connectors (3) from left front door control unit (N69/1) or right front door control unit (N69/2)		
4	Unscrew bolts (4, 5, 6) and remove left electrically adjustable and heated outside mirror (M21/1) or right electrically adjustable and heated outside mirror (M21/2) from front door.		
5	Install in the reverse order		

Repair materials

Number	Designation	Order number
BR00.45-Z-1010-06A	Lubricant, rubber assembly 1 l	A 000 989 03 67