

- Parts list -

Vehicle	WDBUF92X58B225530 (65H)	E 280 4MATIC	
Color	197 - Obsidian black metallic	Equipment	141 - ARTICO Leather man-made, black
FIN: WDB2110921B225530		Assortment class	PC
Group	46 STEERING	Sub-group	015 STEERING GEAR

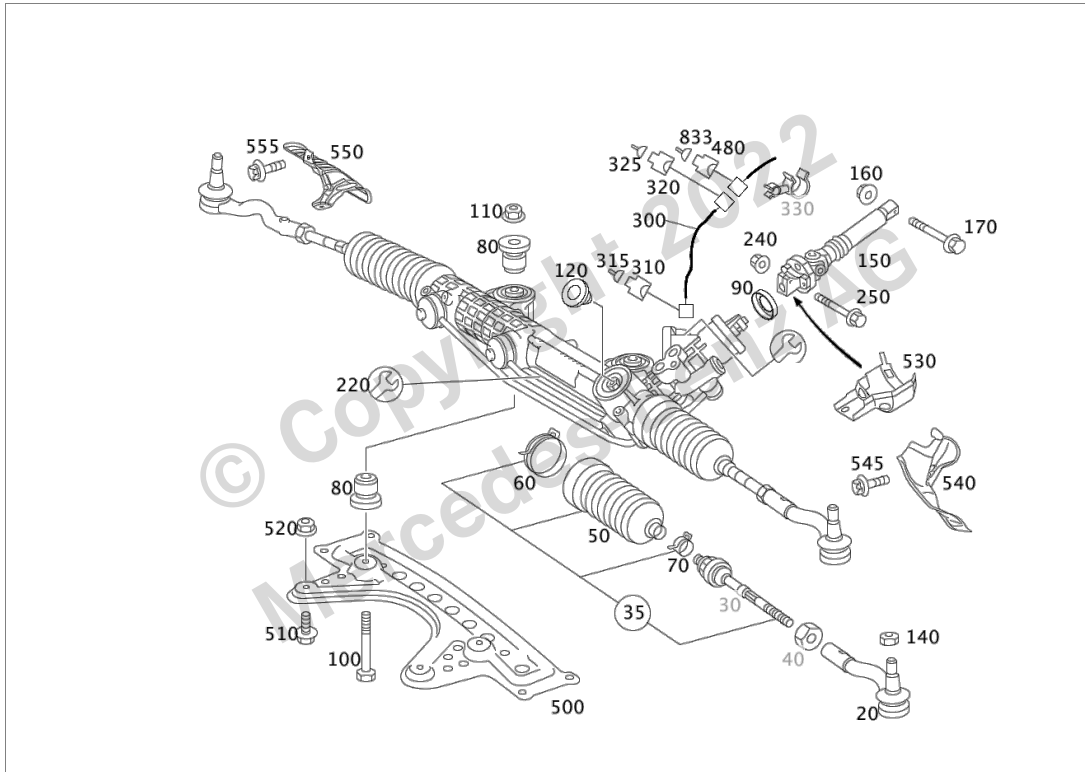


Image ID: drawing_B46015000087

Item	Part number	Designation/additional information	Qty
10	A 211 460 24 00	STEERING [697] PART IS ONLY OR ALSO SUPPLIED AS RECONDITIONED PART Code: M005;	1
20	A 220 338 13 15	* TIE ROD LEFT OUTSIDE Code: M005;	1
20	A 220 338 14 15	* TIE ROD RIGHT OUTSIDE Code: M005;	1
35	A 211 330 29 03	REPAIR KIT, TIE ROD REPAIR KIT Code: M005;	2
50	A 211 463 03 96	* BOOT LEFT AND RIGHT Code: M005;	2
60	A 210 463 07 17	* CLAMPING PIECE LEFT AND RIGHT INSIDE; 68 MM 	2
70	A 210 463 08 17	* CLAMP LEFT AND RIGHT OUTSIDE; 15.2-18.5 MM 	2
80	A 211 460 00 29	* RUBBER BUSHING RACK-AND-PINION STEERING Code: M005;	4

Parts Information

Item	Part number	Designation/additional information	Qty
90	A 211 460 00 64 	* REPAIR KIT, DUST CAP STEERING GEAR	1
90	A 211 460 02 64 	* REPAIR KIT, DUST CAP STEERING GEAR  Code: M005;	1
100	N 000000 002559	HEXAGON HEAD BOLT RACK-AND-PINION STEER. TO INT. SUPPORT; M10X75  Code: M005;	2
110	N 913023 010002	NUT RACK-AND-PINION STEER. TO INT. SUPPORT; M10  Code: M005;	2
120	A 210 988 01 28	GROMMET STEERING GEAR	1
140	A 202 990 08 51	NUT FOR TAPPING SCREW TIE ROD TO STEERING KNUCKLE; M14X1.5  Code: M005;	2
150	A 211 460 01 10	STEERING COUPLING AT STEERING GEAR  Code: M005+(M112/M113/M272/M642/M273);	1
160	A 140 990 09 58	HEXAGON NUT TO COUPLING SLEEVE; M8  [001700] REPAIR INSTRUCTIONS, SEE WIS	1
170	N 910106 008024	HEXAGON HEAD BOLT TO BOTTOM COUPLING SLEEVE; M8X40  Code: M005;	1
210	A 221 460 01 84 	REPAIR KIT, VALVE REPAIR KIT  Code: M005;	1
220	A 211 460 07 51	REPAIR KIT, STEERING GEAR FOR SHORT OIL LINE, WITH O-RINGS  [402] NO LONGER AVAILABLE  Code: M005;	1
220	A 211 460 06 51	REPAIR KIT, STEERING GEAR FOR LONG OIL LINE, WITH O-RINGS  Code: M005;	1
240	A 140 990 09 58	HEXAGON NUT STEERING COUPLING TO STEERING; M8	1
250	A 210 990 06 04	SCREW STEERING COUPLING TO STEERING; M8X39	1
300	A 211 540 07 09 	WIRING HARNESS ENGINE WIRING HARNESS CONNECTOR TO SOLENOID VALVE (SPEED-SEN. POW.STEER.) X18/33-Y10  [402] NO LONGER AVAILABLE  Code: M005+213;	1
310	A 140 545 35 28 	* RECEPTACLE HOUSING PARAMETRIC STEERING VALVE Y10; 2 PIN JPT  Code: 213;	1
315	A 000 540 27 05 	* ELECTRIC LINE PARAMETRIC STEERING VALVE Y10; 1.00 MM2 JPT  [T774] CONNECTORS MUST ALSO BE ORDERED IN ACC. WITH THE TOTAL CABLE C ROSS-SECTION TO BE CONNECTED. SEE WIS FOR REPAIR INSTRUCTIONS. =====	NB
		SOLDER CONNECTOR SLEEVES: TOTAL WIRE CROSS-SECTION: A 001 546 99 41 GREEN 0.7 - 2.4 MM2 A 002 546 00 41 RED 2.0 - 4.0 MM2 A 002 546 01 41 BLUE 3.5 - 8.0 MM2 A 002 546 11 41 YELLOW 7.5 - 12.0 MM2 BUTT JOINT: A 002 546 13 41 0.5 MM2 A 002 546 14 41 0.8 MM2 A 002 546 15 41 1.3 MM2 A 002 546 16 41 2.0 MM2 =====	
		 Code: 213;	
320	A 210 540 47 81 	* PLUG SPEED-SENSITIVE POWER STEERING CONN. X18/33; 2-PIN MQS  Code: 213;	1

Parts Information

Item	Part number	Designation/additional information	Qty
325	A 000 540 23 05 ⚠	* ELECTRIC LINE SPEED-SENSITIVE POWER STEERING CONN. X18/33; 0.5 MM2 MQS 📄 [T774] CONNECTORS MUST ALSO BE ORDERED IN ACC. WITH THE TOTAL CABLE C ROSS-SECTION TO BE CONNECTED. SEE WIS FOR REPAIR INSTRUCTIONS. =====	NB
		SOLDER CONNECTOR SLEEVES: TOTAL WIRE CROSS-SECTION: A 001 546 99 41 GREEN 0.7 - 2.4 MM2 A 002 546 00 41 RED 2.0 - 4.0 MM2 A 002 546 01 41 BLUE 3.5 - 8.0 MM2 A 002 546 11 41 YELLOW 7.5 - 12.0 MM2 BUTT JOINT: A 002 546 13 41 0.5 MM2 A 002 546 14 41 0.8 MM2 A 002 546 15 41 1.3 MM2 A 002 546 16 41 2.0 MM2 =====	
		📦 Code: 213;	
480	A 210 540 20 81	RECEPTACLE HOUSING PARAMETER STEERING X18/33; 2-PIN MQS	1
500	A 211 463 01 86	THREADED PLATE AT STEERING GEAR 📦 Code: M005;	1
510	N 910105 010009	HEXAGON HEAD BOLT MOUNTING PLATE TO INTEGRAL SUPPORT; M10X25 📦 Code: M005;	2
520	N 913023 010002	NUT MOUNTING PLATE TO INTEGRAL SUPPORT; M10 📦 Code: M005;	2
530	A 211 462 02 95	COVER STEERING COUPLING 📦 Code: M005;	2
540	A 203 682 29 71	SHIELDING AT STEERING GEAR LEFT 📦 Code: M005;	1
545	N 910143 006000	HEXALOBULAR BOLT ATTACHMENT SHIELD; M6X12 📦 Code: M005;	3
550	A 220 682 42 71	SHIELDING AT STEERING GEAR RIGHT 📦 Code: M005;	1
555	N 910143 006000	HEXALOBULAR BOLT ATTACHMENT SHIELD; M6X12 📦 Code: M005;	3
833	A 000 540 23 05	ELECTRIC LINE PARAMETER STEERING; 0.5 MM2 MQS 📄 [T774] CONNECTORS MUST ALSO BE ORDERED IN ACC. WITH THE TOTAL CABLE C ROSS-SECTION TO BE CONNECTED. SEE WIS FOR REPAIR INSTRUCTIONS. =====	NB
		SOLDER CONNECTOR SLEEVES: TOTAL WIRE CROSS-SECTION: A 001 546 99 41 GREEN 0.7 - 2.4 MM2 A 002 546 00 41 RED 2.0 - 4.0 MM2 A 002 546 01 41 BLUE 3.5 - 8.0 MM2 A 002 546 11 41 YELLOW 7.5 - 12.0 MM2 BUTT JOINT: A 002 546 13 41 0.5 MM2 A 002 546 14 41 0.8 MM2 A 002 546 15 41 1.3 MM2 A 002 546 16 41 2.0 MM2 =====	