

AR42.10-P-0010-02SX	Carrying out bleeding operation		
---------------------	---------------------------------	--	--

**Nm** Front axle brake caliper

Number	Designation			Model 211 except model 211.076/ 077/276/ 277	Model 211.076/ 077/276/ 277
BA42.10-P-1002-10H	Bleed screw to brake caliper	WAF 7	Nm	5	5
		WAF 9	Nm	9	9
		WAF 11	Nm	16	16

**Nm** Front axle brake caliper

Number	Designation		Model 216	Model 221
BA42.10-P-1001-10M	Bleed screw to floating brake caliper	Nm	16	16
BA42.10-P-1002-10M	Bleed screw to fixed brake caliper	Nm	7	7

**Nm** Front axle brake caliper

Number	Designation		Model 219.372/376/37 7	Model 219.322/354/3 56/ 357/375
BA42.10-P-1002-10B	Bleed screw to brake caliper	Nm	8	8

**Nm** Rear axle brake caliper

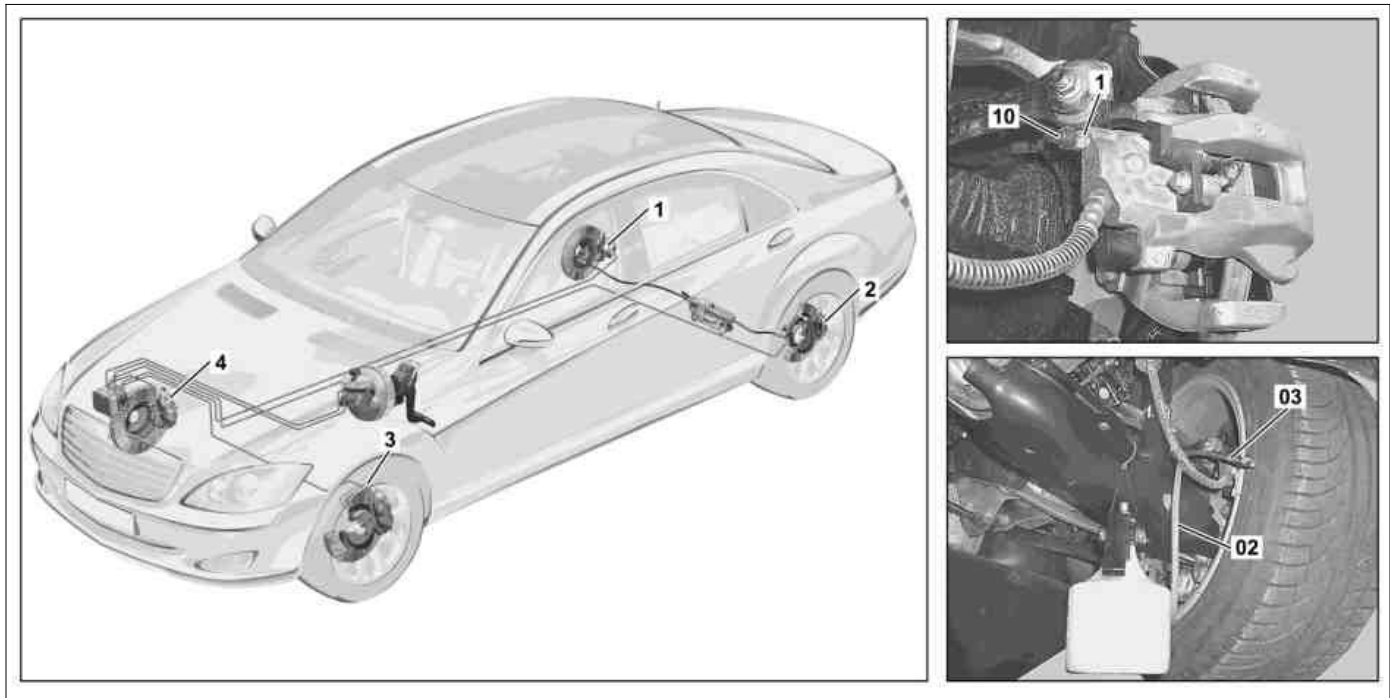
Number	Designation		Model 211 except model 211.076/077/ 276/277	Model 211.076/077/ 276/277
BA42.10-P-1001-12H	Bleed screw to brake caliper	Nm	8	8

**Nm** Rear axle brake caliper

Number	Designation	Model 216 except 216.377/ 379	Model 216.377/ 379	Model 221 except model 221.077/ 177/179	Model 221.077/ 177/179
BA42.10-P-1001-12M	Bleed screw to brake caliper	Nm 8	23	7	23

**Nm** Rear axle brake caliper

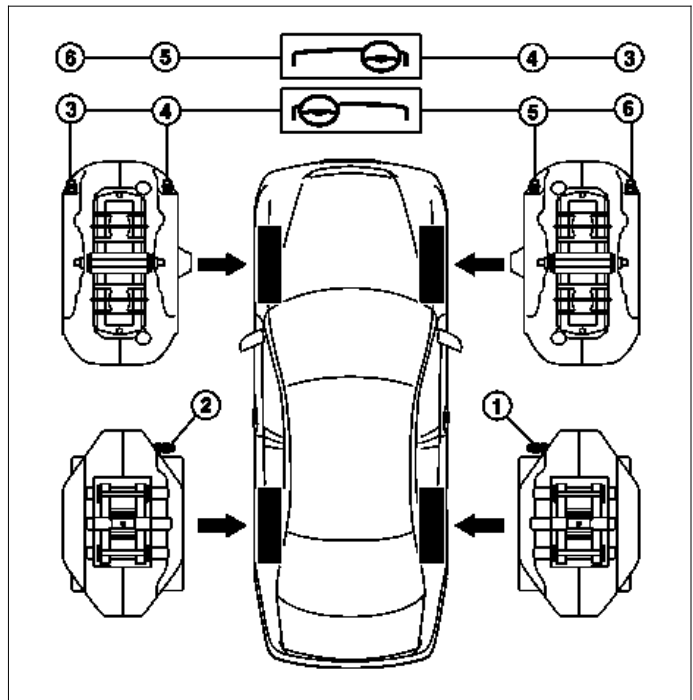
Number	Designation	Model 219
BA42.10-P-1001-12B	Bleed screw to brake caliper	Nm 8



P42.10-2534-09

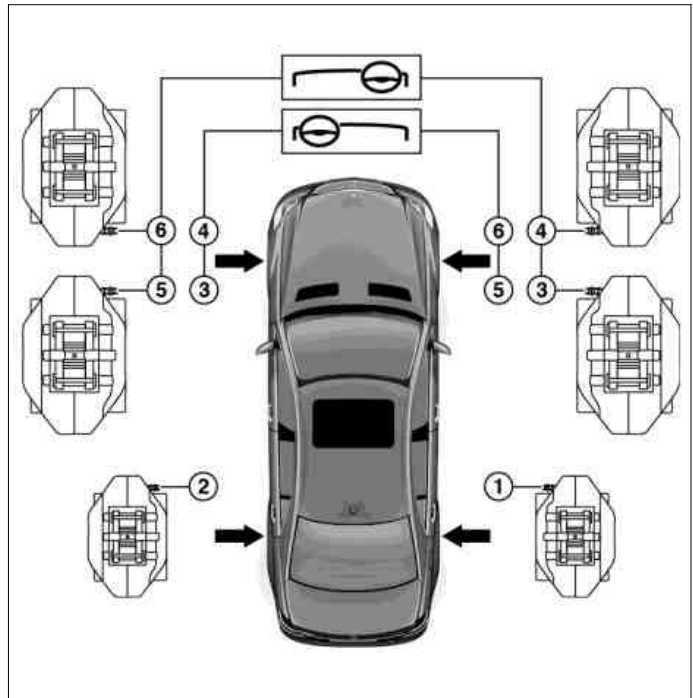
Opening sequence on 1, 2 or 4 piston brake calipers on front axle

Opening sequence on 6 or 8 piston brake calipers on front axle



P42.00-2110-12

Opening sequence on model 221 with code (Z07)  
Maximum protection



P42.10-2744-12

- 1 Adjust bleeding pressure on filling and bleeding unit to 2 bar.
- 2 Remove caps (10) for bleed screws (1, 2, 3, 4, 5, 6) on brake calipers.
- 3 Fit bleed wrench (03) and bleed hose (02) on bleed screw (1).
- 4 Open bleed screw (1).

- 5.1 Bleed the hydraulic system of the brake system (after the hydraulic system was opened for repair):  
Fully depress brake pedal repeatedly, until new bubble-free brake fluid flows out at the bleed screw (1).
  - ⚠ To bleeding the brake system correctly it is absolutely essential to pump the brake pedal throughout the entire bleeding process. Otherwise brake system malfunctions and a failure of the brake system can occur due to remaining residual air.
  - ⚠ In order to avoid the intake of air, do not pump the brake pedal in a jerking manner, but gradually release.
  - i** The bleed screw (1) can remain open during the entire pumping process.
  - i** Required total quantity of brake fluid: approx. 1.5 l.

- 5.2 Replace brake fluid (service 4, hydraulic system of brake system was not previously opened for repair):  
Keep bleed screw (1) open until new brake fluid flows out.
  - i** Pumping the brake pedal not required.

- 7 Repeat process at bleed screws (2, 3, 4, 5, 6).
  - i** The numbering of the bleed screws (1, 2, 3, 4, 5, 6) indicates the opening sequence.
  - i**

**i** Required total quantity of brake fluid: approx. 0.75 l.

For 6, or 8-piston brake calipers on the front axle and for vehicles with code (Z07) Maximum protection: Note different sequence for left and right-hand drive vehicles.

6 Close bleed screw (1).

8 Detach bleed hose (02) and bleed wrench (03) and fit caps (10) to bleed screws (1, 2, 3, 4, 5, 6).

9 Vehicles with manual transmission:  
When replacing the brake fluid repeat the process at the bleed screw of the central clutch release bearing.