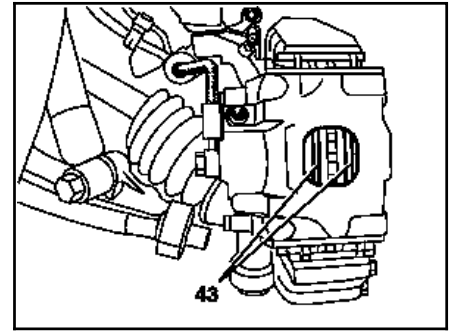


MODEL 163

Shown on vehicle with sliding caliper

43 Brake pads



P42.10-0442-01

☒	Removing		
1	Remove wheels		AP40.10-P-4050GH
☒	Checking		
2	Check thickness of brake pads (43) on front and rear axles	<p>i Visual inspection, brake pads removed, observe recommended limit dimensions, so that the wear limit is not violated before the next maintenance service: ↓ Check values for front brake pad Check values for rear brake pad</p> <p>i If the brake pads are under the wear limit, replace brake pads subject to separate repair order: ↓ Model 163.113 up to VIN A289564, 163.113 up to VIN X754619, 163.154 up to FINA289564, 163.136 Model 163.154 /157 with code 494 USA version Model 163.113/ 128/ 154/ 157/ 172/ 174/ 175</p>	<p style="color: blue;">*BE42.10-P-1001-05C *BE42.10-P-1001-15C</p> <p style="color: red;">AR42.10-P-0160GH</p> <p style="color: red;">AR42.10-P-0161GI</p>
☒	Install		
3	Mount wheels		AP40.10-P-4050GH

Check values for front brake pad

Number	Designation		Model	Model	Model	
				163.113/ 128/154/ 157/172/ 174/175 Fixed brake caliper	163.113/ 136/154/ 157/172 inner brake pad of floating brake caliper	163.113/ 136/154/ 157/172 outer brake pad of floating brake caliper
BE42.10-P-1001-05C	Brake pad thickness	New (with pad backing plate)	mm	17.5	16.5	15.5
		Wear limit (without pad backing plate)	mm	≤2	≤5	≤5
		Wear limit (with pad backing plate) for maintenance service	mm	≤11	≤12	≤11
		Wear limit (without pad backing plate) for maintenance service	mm	-	-	-
		Wear indicator activated	mm	≈1,7	≈2	-

Check values for **rear brake pad**

Number	Designation	Model 163.113/ 128/154/ 172/174/ 175 Fixed brake caliper	Model 163.113/ 136/154/ 172 Floating brake caliper	
BE42.10-P-1001-15C	Brake pad thickness	New (with pad backing plate) mm	15.5	15.5
		Wear limit (without pad backing plate) mm	2	≤5
		Wear limit (with pad backing plate) for maintenance service mm	11	≤11
		Wear indicator activated mm	≈1,7	-